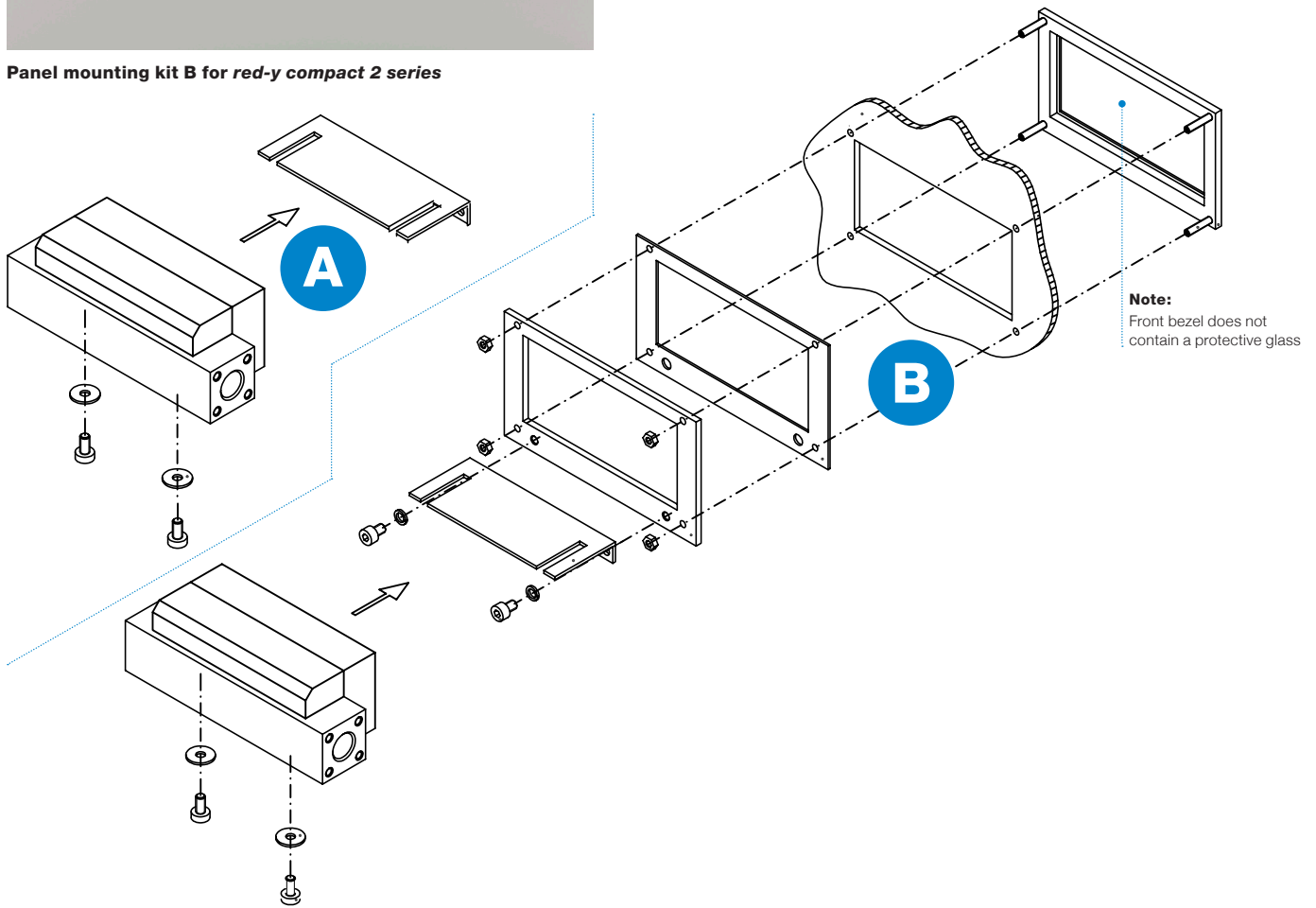


# Panel mounting kit *red-y compact series*



Panel mounting kits for the digital mass flow devices of the *red-y compact series*.  
 Two different mounting kits are available: **Kit A** with mounting bracket and **Kit B** with mounting bracket and front bezel.  
 Both panel mounting kits can be used for device generation *compact 1 & 2*.  
 All required mounting screws are included.

Panel mounting kit B for *red-y compact 2 series*



**A** Panel Mounting Kit A  
Mounting bracket

**B** Panel Mounting Kit B  
Mounting bracket with front bezel

	<b>A</b> Panel Mounting Kit A Mounting bracket		<b>B</b> Panel Mounting Kit B Mounting bracket with front bezel	
Device generation	<i>red-y compact 1</i>	<i>red-y compact 2</i>	<i>red-y compact 1</i>	<i>red-y compact 2</i>
G1/4" version	Art.-N° 328-3803	Art.-N° 328-3803	Art.-N° 328-3801	Art.-N° 328-3801
G1/2" version	Art.-N° 328-3804	Art.-N° 328-3804	Art.-N° 328-3802	Art.-N° 328-3802
Environmental Protection	IP-50	IP-50	IP-65	IP-50
Mounting screws*	Included	Included	Included	Included

\*all screws represented on exploded drawing A or B are always included

See next pages for dimension drawings »

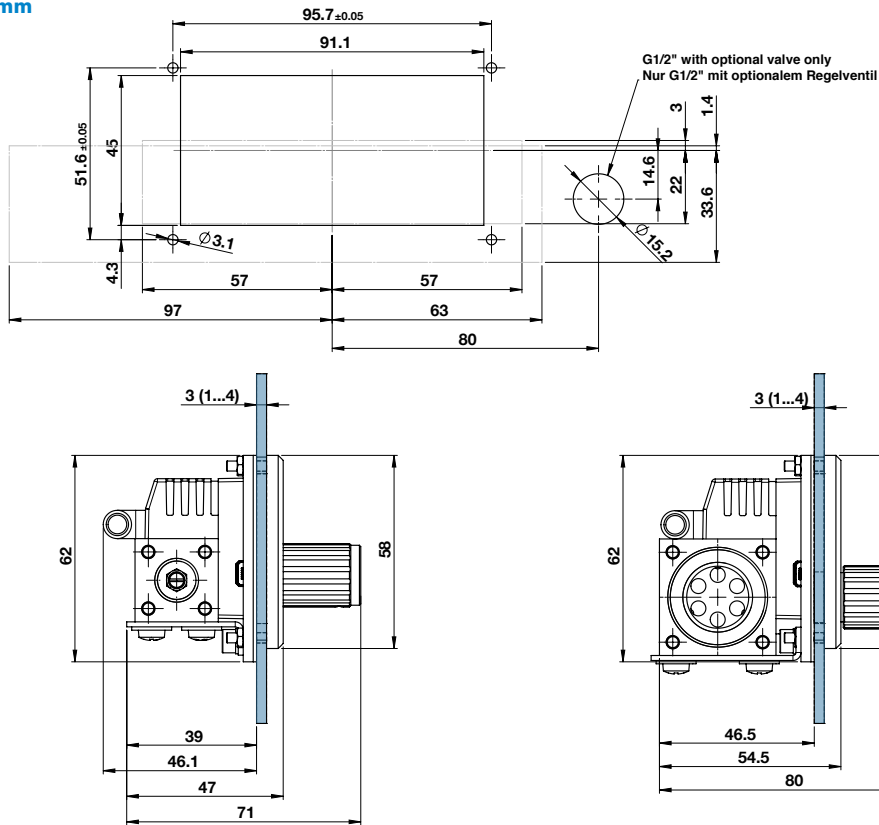




**B**

**Panel Mounting Kit B – Mounting bracket with front bezel**

Dimensions in mm



Dimensions in inches

