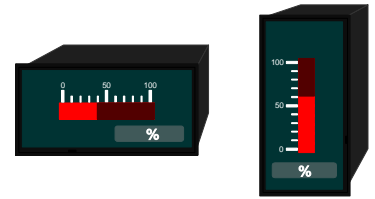


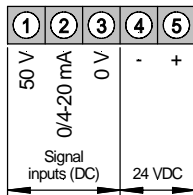
# BVO1, BHO1 – bargraph display in 48x24 mm (BxH) Direct current / direct voltage signals 0-50 VDC, 0/4-20 mA

- without setpoints
- display range adjustable via potentiometer
- protection class IP40



## • Direct voltage, direct current

galvanic insulated 24 VDC



## • Order key options

B	V	O	1.	0	0	1.	7	7	6	B
B	H	O	1.	0	0	1.	7	7	6	B

G	Green bargraph display
5	Protection class IP54 at the front side
7	Protection class IP65 at the front side

ORDER NUMBER  
(without options)

EUR

vertical **BVO 1.001.776B**

horizontal **BHO 1.001.776B**

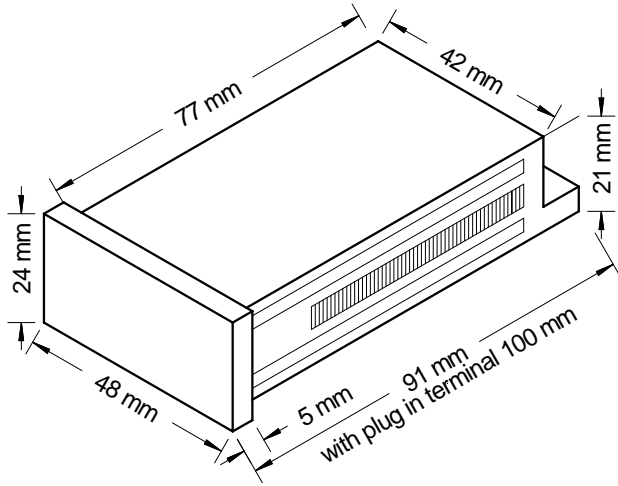
EUR

Please state physical unit on demand in order, e.g. %.

## • Technical data

<b>Dimensions</b>	Housing	48 x 24 x 100 mm, including plug-in terminal
	Assembly cut out	45.0 <sup>+0.6</sup> x 22.2 <sup>+0.3</sup> mm
	Fastening	special quick plastic clamp proper to fix in wall thickness up to 50 mm
	Housing material	PC/ABS-blend, colour black, UL94V-0
	Protection	at the front IP40 connection IP00
	Weight	approx. 60 g
	Connection	At the rear side via terminals up to 1.5 mm <sup>2</sup>
<b>Input</b>	Measuring range	0...50 V (U <sub>min</sub> = 5 V, U <sub>max</sub> = 60 V); 0/4...20 mA (I <sub>min</sub> = 8 mA, I <sub>max</sub> = 25 mA) All ranges selectable via connection terminal / offset adjustment supported by offset potentiometer
	Input resistance	R <sub>i</sub> with 10 V = 100 KΩ      20 mA = 100 Ω
<b>Accuracy</b>	Resolution	10 digit
	Measuring fault	+/- 1 digit
	Temp. drift	100 ppm/K
<b>Power unit</b>	Supply voltage	24 VDC +/-10% galvanic insulated
	Power consumption	approx. 1.5 VA
<b>Display</b>	Display	bargraph indication 10 digits
	Colour	red / optionally green
<b>Ambient conditions</b>	Working temperature	0 up to + 60 °C
	Storing temperature	-20 up to + 80 °C

**Housing:**



• **Ordering code**

**B H O 1 0 0 1 7 7 6 B**

Basic model		Internal index	
<b>Orientation</b> horizontal vertical	<input type="checkbox"/> H <input type="checkbox"/> V		<b>Mechanical options</b> <input type="checkbox"/> 5 Protection IP54 <input type="checkbox"/> 6 Protection IP40 <input type="checkbox"/> 7 Protection IP65
<b>Digital indication (numeric)</b> without indication	<input type="checkbox"/> 0		<b>Power supply</b> <input type="checkbox"/> 7 24 VDC galvanic insulated
<b>Number of bars</b> 10	<input type="checkbox"/> 1		<b>Size of housing</b> <input type="checkbox"/> 7 48x24
<b>Sensor supply</b> not available	<input type="checkbox"/> 0		<b>Measuring input</b> <input type="checkbox"/> 1 Direct voltage, direct current
<b>Analog output</b> not available	<input type="checkbox"/> 0		