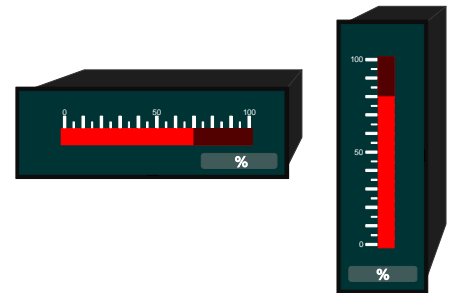


BVO2, BHO2 – bargraph display in 72x24 mm (BxH)

Direct current, direct voltage

0-50 VDC, 0/4-20 mA

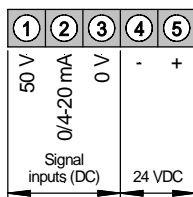
- without setpoints
- display range adjustable via potentiometer
- protection class IP40



ORDER NUMBER
(without options)

EUR

• Direct voltage, direct current



Power supply 24 VDC
galv. insulated

vertical **BVO 2.001.576B**
horizontal **BHO 2.001.576B**

• Order key options

B	V	O	2	0	0	1	5	7	6	B
B	H	O	2	0	0	1	5	7	6	B

EUR

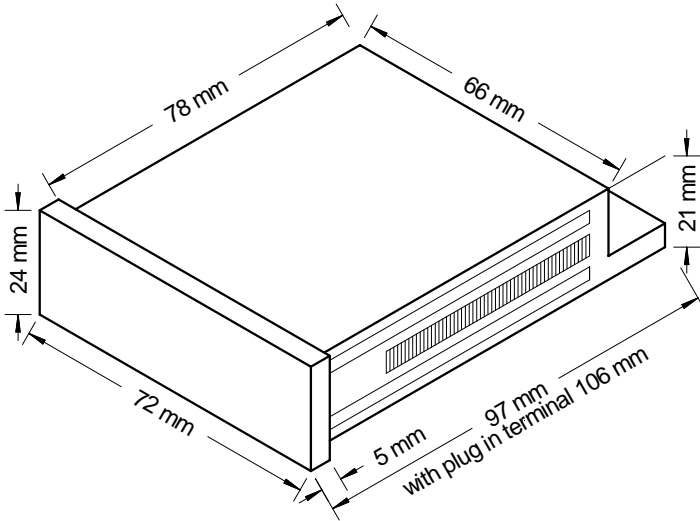
G	Green bargraph display
5	Protection class IP54 at the front side
7	Protection class IP65 at the front side

Please state physical unit in order, e.g. %.

• Technical data

Dimensions	Housing	72 x 24 x 106 mm, including plug-in terminal
	Assembly cut out	68 ^{+0.7} x 22.2 ^{+0.3} mm
	Fastening	special quick plastic clamp proper to fix in wall thickness up to 50 mm
	Housing material	PC/ABS-blend, colour black, UL94V-0
	Protection	at the front IP40 connection IP00
	Weight	approx. 80 g
	Connection	At the rear side via terminals up to 1.5 mm ²
Input	Measuring range	0...50 V ($U_{\min} = 5 \text{ V}$, $U_{\max} = 60 \text{ V}$); 0/4...20 mA ($I_{\min} = 8 \text{ mA}$, $I_{\max} = 25 \text{ mA}$) All ranges selectable via connection terminal / offset adjustment supported by offset potentiometer
	Input resistance	R _i with 10 V = 100 K Ω 20 mA = 100 Ω
Accuracy	Resolution	20 digit
	Measuring fault	+/- 1 digit
	Temp. drift	100 ppm/K
Power unit	Supply voltage	24 VDC +/-10% galvanic insulated
	Power consumption	approx. 1.5 VA
Display	Display	bargraph indication 20 digits
	Colour	red / optionally green
Ambient conditions	Working temperature	0 up to + 60 °C
	Storing temperature	-20 up to + 80 °C

Housing:



• Ordering code

B H O 2 0 0 1 5 7 6 B

Basic model		Internal index	
Orientation			Mechanical options
horizontal	H		5 Plug-in terminal, Protection IP54
vertical	V		6 Plug-in terminal, Protection IP40
			7 Plug-in terminal, Protection IP65
Digital display (numeric)			Power supply
without display	O		1 230/115 VAC
			7 24 VDC galvanic insulation
Number of bars			Size of housing
20	2		5 72x24
Sensor supply			Measuring input
not available	0		1 Direct voltage, direct current
Analog output			
not available	0		