

ADJUSTABLE FLOW SWITCH SERIES MR1KV

Fluids: Water, gas, oil, and viscous liquids (max 300 Cst. flow rates change at this viscosity)

Maximum working pressure: 200 bar

Maximum working temperature: 120 °C

Accuracy: ±5% f.s.

Materials: Nickel plated brass body (GM), Stainless Steel (GK)

Brass piston (GM), Stainless steel (GK)

Stainless steel spring

Ferrite magnet (GM), Ferrite PTFE coated (GK)

Polycarbonate Switch head

Contact: Adjustable SPDT

Protection: IP65, PG9 Cable gland, DIN43650 Plug

Max supply: 220/50 V/Hz.

Mounting: Free installation position



ORDERING CODE/TYPE

MR1KV	008	GM	004	IP65	0213
•					
	•				
		•			
			•		
				•	
					•

Name - Type

Tab.1 Dimension and connections thread

Tab.2 Material

Tab.1 Adjustable range

Tab.3 Protection class

Tab.4 Wiring

TECHNICAL DATA

Tab.1

TYPE	DN	P max bar	T max °C	Adjustable range lt/min H ₂ O			Q max lt/min	Δ P Qmax bar	Code Adjustable range		
MR1KV-008	1/4"	200	120	0,4 - 4			10	0,5	0,4 - 4	004	
MR1KV-010	3/8"	200	120	0,4 - 4	1 - 10		20	0,5	1 - 10	010	
MR1KV-015	1/2"	200	120	1 - 10	2 - 20	3 - 30	40	0,5	2 - 20	020	
MR1KV-020	3/4"	200	120	3 - 30	4 - 40		60	0,5	3 - 30	030	
MR1KV-025	1"	200	120	4 - 40	6 - 60		80	0,5	4 - 40	040	
Filettatura	DN	UNI 228/1								6 - 60	060
Accuracy	± 5% F.S.										
Hysteresis	10% - min. 0,5 lt/min										

MATERIALS

Tab. 2

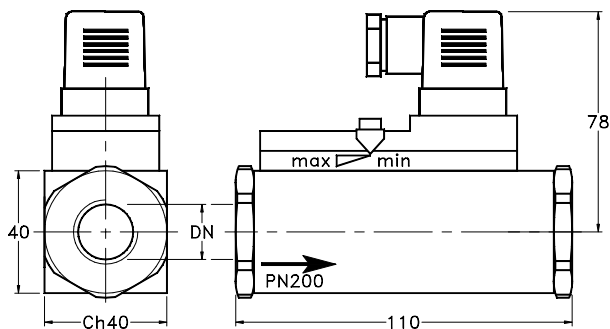
Description	Code	
	GM	GK
Body	Nickel plated brass	St. steel 1.4571
Piston	Brass	St. steel 1.4404
Spring	St. steel 1.4310	St. steel 1.4310
Magnet	Ferrite	Ferrite PTFE coated
Switch head	Polycarbonate	Polycarbonate

ELECTRICAL DATA

Tab. 3

Description	Characteristics					
Contact	REED	SPDT	250 VCA	1,5 A	50 VA	
Electrical entry	Plug		DIN 43650A			
Protection class	IP65					
Options						
Diode	LED	Red colour integrated into DIN plug				
Supply	VCA	230	110	48	24	12 To specify

DIMENSIONS



WIRING

