

Current loop display with limit switch

Characteristics



Input: 4...20 mA (current loop)

Option (external supply): 4...20 mA / 0...20 mA / 0...10 V

Supply: out of current loop / Option: 24 VDC (no galvan. insulation)

Limit contacts: 2 open collectors (36 VDC, 150 mA)

Display range maximum: -999...9999

Adjustment: with 3 keys

Memory: minimum/maximum

Enclosure: polycarbonate Ø63/43x37 mm

Protection: IP 65 (front) / IP20 (back)

Technical data

Input

Current loop:	4...20 mA
Input resistance:	R _i : approx. 160 ohms voltage across: 3,2 V
With external supply:	
4...20 mA / 0...20 mA	R _i : approx. 10 ohms
0...10 V	R _i : approx. 100 kohms

Accuracy

Resolution:	-999...+9999 digit
Measuring fault:	±0,2% of measuring range, ±1 digit
Temperature drift:	100 ppm/K

Indication

Display:	7 segments, 8 mm high, red, 4 digits
Overflow/Underflow:	to HI / to LO
Time of indication:	0,1 s - 1 s - 10 s (adjustable)
Memory:	minimum / maximum values

Limit contacts

Electronically:	2 open collectors (36 VDC, 150 mA)
leakage current:	approx. 0,1 mA
Indication:	limit value reached: LED red limit value not reached: LED green
Adjustment:	limit value, hysteresis value and delay times with 3 keys
Fai-safe function:	voltage supply "ON" = contacts active

Ambient conditions

Operating temperature:	0...+60°C
Storing temperature:	-20...+80°C

Supply

Current loop:	4...20 mA
Direct current:	24 VDC ±5% (maximum 50 mA) (without galvanical insulation)

Mechanics

Material enclosure:	Macrolon
Protection:	front: IP 67 / connection IP 20
Connection:	plug in connector 8-pole, up to 1,5 mm ²
Carrier:	Dimension: Ø 43/48,5/62,5 mm x 37mm Fastening: 4 mounting holes for M4 Weight: approx. 55 g

Accessories (enclosures for mounting of display)

DIN BUZ-H:	special model
For wall:	top DIN BUZ-H with built-on bottom part
Tube:	top DIN BUZ-H with built-on bottom part and an additional holder for tubes

For more details see page 2

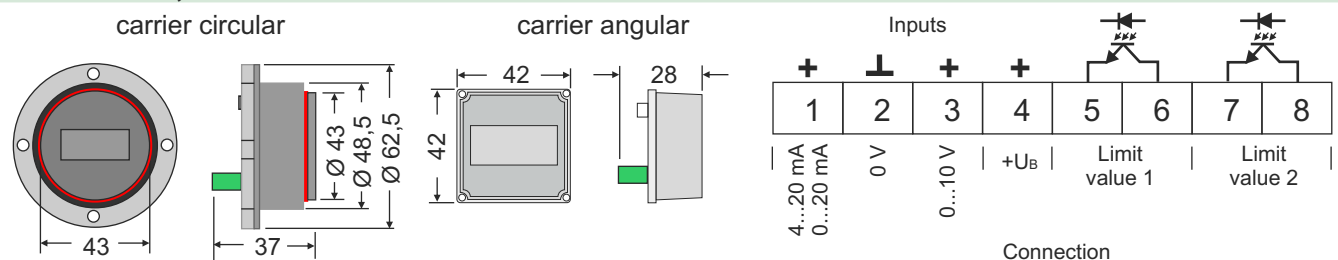
Programmable features

range of indication / time of indication / decimal point / unit (°C/°F) / stabilisation zero point / limit value 1 + 2 / hysteresis value 1 + 2 / delay times 1 + 2 / locking of programming / calibration points / TAG number

Possibilities of indication

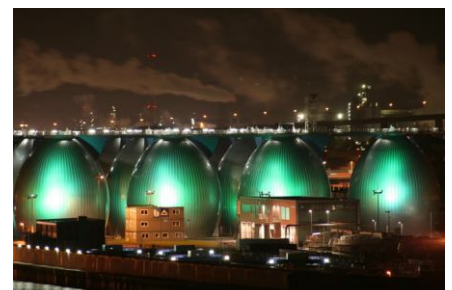
Programming the decimal point and unit the following scope of representation is possible:
xxxx / xxx.x / xx.xx / x.xxx / xxx°C / xxx°F

Dimensions, connection



Applications

The current loop display is particularly for use in ranges where a standard signal is still available. With its programmable limit value contacts the device is suitable in the whole industrial area.



Photos: www.pixelquelle.de

Ordering code

C	G	X	X	X	X	X	X	-	X	X	X
---	---	---	---	---	---	---	---	---	---	---	---

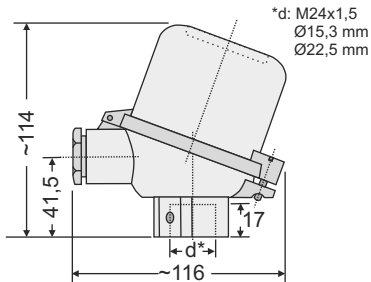
Supply:	current loop (only 4...20 mA)	0									
	24 VDC	1									
Input:	4...20 mA		0								
	0...20 mA		1								
	0...10 V		2								
Limit contacts:	2 open collectors (with current loop)				1						
Enclosure:	without enclosure (circular carrier)								0		
	special-DIN BUZ-H - M24x1,5								1		
	wall mounting								2		
	for tube mounting up to 2"								3		
	without enclosure (angular carrier)								7		
Connection:	plug-in terminal strip								0		
Programming:	without (factory-set)*								0		
	with (please indicate)**								1		
Other / accessories:	special model										0
	programming set (adaptor, cable, software)										1

*factory-set: indication: 0...250°C / time of indication: 1 s / decimal point: without / unit: °C / stabilisation zero point: 1 / limit value 1: 110°C / delay time: 0 s / hysteresis value 1: 90°C / delay time: 5 s / limit value2: 40°C / delay time: 0 s / hysteresis value 2: 60°C / delay time: 1 s / locking of programming: without / calibration points: without / TAG number: 0

**programming: the possibilities of the technical data can be selected

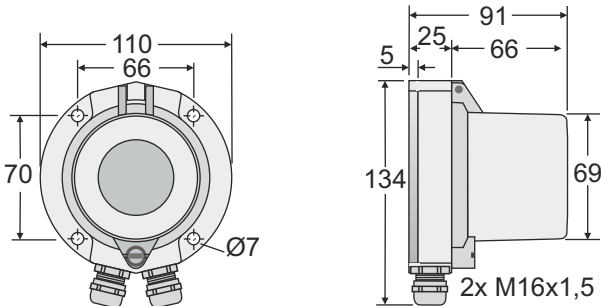
Enclosure

Special enclosure DIN BUZ-H



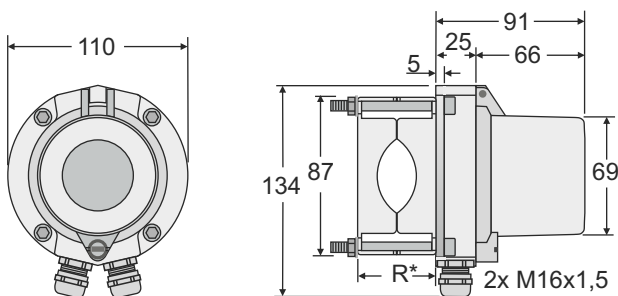
Special model
Connections process: M24x1,5
Ø15,3 mm
Ø22,5 mm
Material: diecast aluminium with powder coating
Screwed cable gland: 1x M20x1,5
Protection: IP67
Weight: approx. 350 g

Wall mounting enclosure, built-on enclosure with magnetic holder



Top BUZ-H special model
Material: diecast aluminium with powder coating
Bottom part: aluminium with powder coating
Magnetic holder: embedded foil
Screwed cable gland: 2x M16x1,5
Protection: IP67
Weight: approx. 500 g

Enclosure with holder for tubes



Top BUZ-H special model
Material: diecast aluminium with powder coating
Bottom part: aluminium with powder coating
Holder for tube: sheet steel, mirror finish galvanized
Diameter of tube: 42...60 mm
Screwed cable gland: 2x M16x1,5
Protection: IP67
Weight: approx. 950 g

*R = overall diameter of tube = 42...60 mm