


● Characteristics

1200 - DIGITAL INDICATOR - ATEX - INTRINSICALLY SAFE -

	- Input:	4...20 mA (current loop)
	- Voltage across:	ca. 3,2 V
	- Display range:	-999...9999, adjustable (keys)
	- Memory:	Minimum/maximum
	- Unit:	4 th digit programmable °C/°F
	- Option Ex protection:	II 2G Ex ia IIC T6
	- Adjustment:	3 keys on the back
	- Unit:	Dimension strip under front foil
	- Protection:	Front IP 67, back IP20, electronics potted
	- Enclosure:	96x48 mm for flush mounting
- Mounting depth:	ca. 30 mm	

● Technical data

Input

Current loop: 4...20 mA
 Input resistance: $R_i : <160 \Omega$ ($U <3,2 V$)

Accuracy

Resolution: -999...+9999 digit
 Measuring fault: $\pm 0,2\%$ of measuring range, ± 1 digit
 Temperature drift: 100 ppm/K

Indication

Display: 7 segments, 8 mm high, red, 4 digits
 Overflow/Underflow: to HI / to LO
 Time of indication: 0,1 s - 1 s - 10 s (adjustable)

Ambient conditions

Operating temperature: Standard: 0...+80°C / Ex-type: -20...+50°C
 Storing temperature: -20...+80°C

Programmable features

range of indication / time of indication / decimal point / unit (°C/°F) / stabilisation zero point / locking of programming / calibration points / TAG number

Homologation

EC Type Examination Certificate: ZELM 05 ATEX 0252 X

● Applications

The current loop display is for use in ranges where the standard signal of 4...20 mA is still available. This on-site display can be mounted in a switchboard or an enclosure.

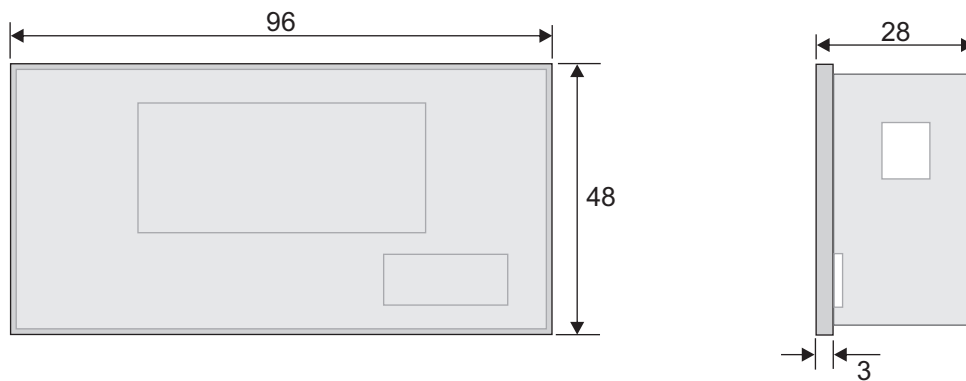


● *Technical data (continued)*

Mechanics

Enclosure:	Switchboard mounting:	96x48x28 mm
	Material:	polycarbonate
	Flammability:	UL90 HB
	Befestigung:	2 parts
Sealing:	Flat packing:	EPDM, 65 Shore, black
Mounting:	Cutout:	92x45 mm
	Wall thickness:	up to 3 mm
Protection:	Front:	IP 67
	Connection:	IP 20
Connection:	Plug-in terminal strip:	4-pole
	Cross-sectional area:	up to 1,5 mm ²
Weight:		ca. 75 g

● *Dimensions (in mm)*

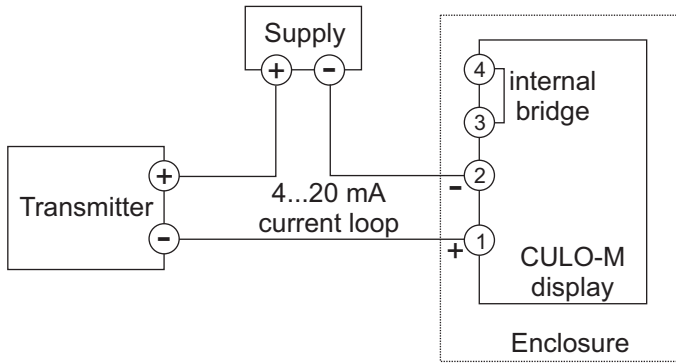


● *Cutout (in mm)*

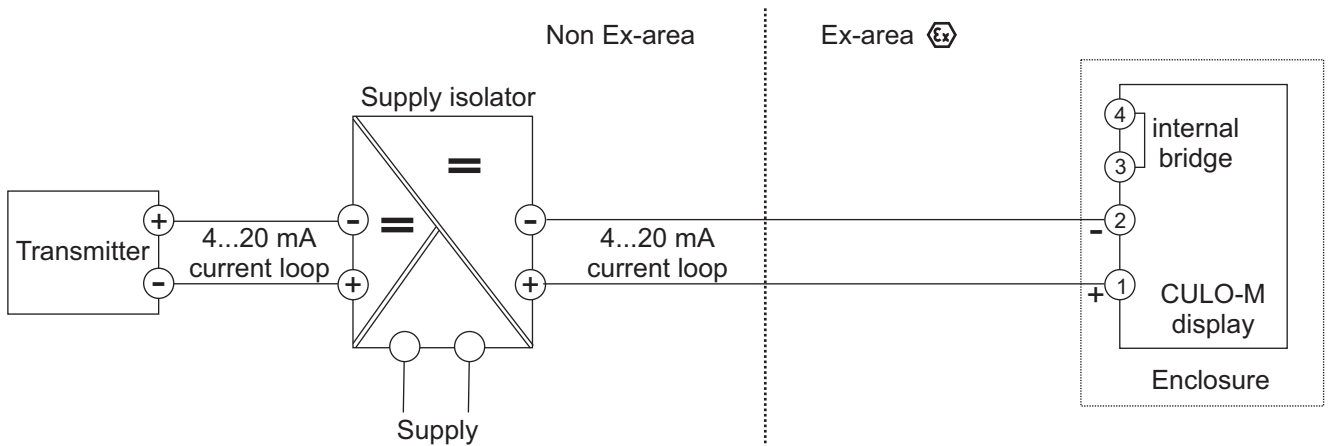


● **Example for electrical connection**

Connection current loop display standard (No Ex-type)



Connection current loop display Ex-type



● **Important note**



For mounting, putting into operation and operation of the display observe the operating instructions. Observe the notes for the operation of the current loop display on page 5 when using an Ex-type.



● **Order code**

C	M	X	X	X	X	X	X
---	---	---	---	---	---	---	---

Type:	Standard	0					
	II 2G Ex ia IIC T6	1					
Enclosure:	Switchboard mounting 96x48		0				
Connection:	Plug-in terminal strip			0			
Configuration:	Factory setting ¹⁾				0		
	Customized (please indicate)				1		
Dimension strip:	Without ²⁾					0	
	With (please indicate)					1	
Special model:	No						0
	Yes (only for standard type possible, please indicate)						1

1) factory setting: indication: 0...250°C / time of indication: 1 s / decimal point: without / unit: °C / stabilisation zero point: 2 / locking of programming: without / calibration points: without / TAG number: 0

2) Dimension strip: The dimension strip can be pushed laterally under the front foil by customer.

Accessories:
 Programming set (adaptor, cable, software) Order No.: 1310-00044