



HM...TC-NS/* Turbine Flow Meters for High Pressure Applications



This turbine series has Nova Swiss connections for pressures up to 4,000 bar.
It is made from stainless steel using the following materials:

- Housing: DIN 1.4571/AISI 316 Ti or DIN 1.3980 (X8NiCr17-10)
- Internal parts: DIN 1.4571/AISI 316 Ti
- Wheel: DIN 1.4460/AISI 329
- Bearings: tungsten carbide

General information like measuring principle
may be taken from the datasheet »HM series«.

For high flow rates turbines with BASF
high-pressure flanges are available.



pickup bore with discharging groove

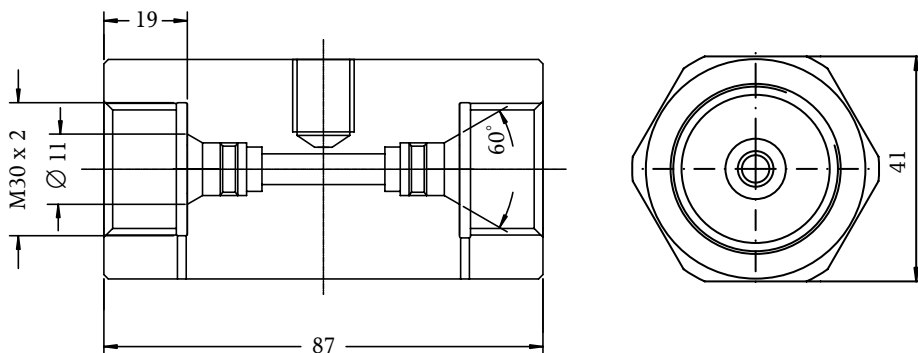
Technical Data

Type	Meas. range <i>ltr/min</i>	Mean K-factor ¹⁾ <i>pulses/ltr</i>	Frequency <i>0-max. Hz</i>
HM 003/TC-NS/*	0.3 up to 1.5	32,500	1,000
HM 004/TC-NS/*	0.5 up to 4	25,000	1,250
HM 005/TC-NS/*	0.8 up to 6	17,800	1,740
HM 006/TC-NS/*	1.2 up to 10	10,300	1,750
HM 007/TC-NS/*	2 up to 20	5,000	1,667
HM 009/TC-NS/*	3.3 up to 33	5,000	2,750

1) Average figures, the exact figures can be taken from the calibration record supplied with each flow meter.
Linearity: ± 1.0 % of actual flow, HM 009: ± 1.5 % of actual flow at 1 cSt

Dimensions (mm)

HM 003 to HM 006



HM 007 and HM 009

