



PRODUCTS GUIDE

Total solutions for monitoring liquid levels in the Marine Industry



visit our website

FineTek Co., Ltd.

No.16, Tzuchiang St., Tucheng Industrial Park, New Taipei City 236, Taiwan.
 TEL: 886 2 2269 6789 FAX: 886 2 2268 6682
 Email: info@fine-tek.com http://www.fine-tek.com

Taichung Branch TEL: 886 4 2337 0825 FAX: 886 4 2337 0836
Tainan Branch TEL: 886 6 289 0635 FAX: 886 6 289 4073
Kaohsiung Branch TEL: 886 7 333 6968 FAX: 886 7 536 8758

Fine automation (Shanghai) Co., Ltd.

No.451 DuHui Rd, MinHang District, Shanghai, China 201109
 TEL: 86 21 6490 7260 FAX: 86 21 6490 7276
 Email: info.sh@fine-tek.com

FineTek Pte Ltd.

No. 60 Kaki Bukit Place, #07-06 Eunos Techpark 2
 Lobby B, Singapore 415979
 TEL: 65 6452 6340 FAX: 65 6734 1878
 Email: info.sg@fine-tek.com

FineTeK GmbH

Frankfurter Str. 62, OG D-65428 Ruesselsehim, Germany
 TEL: 49 6142 17608 16 FAX: 49 6142 17608 20
 E-Mail: info@fine-tek.de

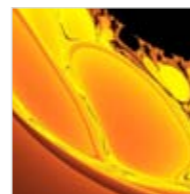
Aplus Finetek Sensor inc.

355 S. Lemon Ave, Suite D, Walnut, CA 91789
 Tel : 1 909 598 2488 Fax : 1 909 598 3188
 Email: peter.wu@aplusfine.com



Distributor:

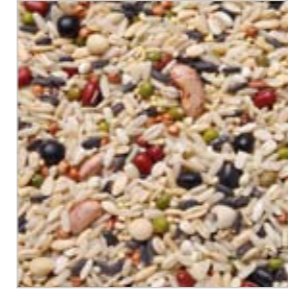
08-ALL05-B0-EP, 02/26/2013



Solid / Liquid Level Measurement for Field Application
Pneumatic Vibrator/Air Hammer
Temperature Controller/ Counter /Digital Panel Meter

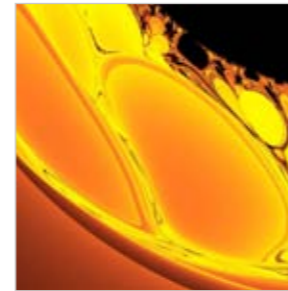


Your BEST Partner



FineTek Co. is a professional manufacturer specializing in the field of industrial sensing and measurement for over 30 years.

With a strong R&D team and strict quality management, FineTek has been awarded the ISO9001 certification, and is capable of providing excellent solutions for diverse applications.



FineTek is dedicated to leading innovation for automation control instrumentation and especially devotes significant resources to R&D. For the requirements by clients and demands of the market, we hold approvals such as: ABS, GL, DNV, BV, LR corresponding to the latest marine provisions by international marine organizations.

FineTek gains its advantage through its quality services and as a result our brand name is accepted and entrusted by the customers worldwide.



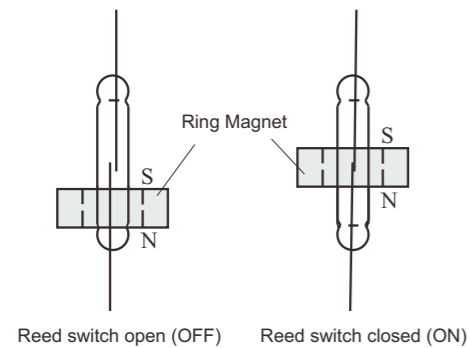
Your Made-To-Order Solutions



FD Magnetic Float Level Switch

OPERATING PRINCIPLE:

The reed switch relies on two basic scientific principles namely: buoyancy and magnetism. Buoyancy causes the float (which contains a magnet) to rise with the liquid and magnetism helps open and close the switch. When the liquid level rises and pushes the float up, the float's ring magnet (sealed in the float) moves close to the switch in the stationary stem. The magnet pushes the circuit together and when it makes contact, it closes the electrical circuit. When the float magnet moves away from the switch, the circuit contact is released and the switch is opened.



FEATURES:

- Multiple points measuring.
- Anti- corrosion.
- No standby power consumption.
- Easy installation. Air tight.
- Stable performance. Measuring result not affected by impurities inside detected medium.



TEST ROD:

The test rod can be equipped with magnetic float level switch for performance testing and inspection.



SPECIFICATIONS:

Material of housing	Aluminum or Stainless Steel
Connection	1"~6" Threads or Flange Type
Wetted parts	Stainless Steel
Operating pressure	max. 35Kg/cm ²
Ambient temperature	-20~85°C
Operating temperature	-20~200°C
Wetted parts material	SUS304 or SUS316
Numbers of floats	max. 4 Floats
Switching capacity	max. 60 W
Contact mode	SPST or SPDT



FF Side Mounting Float Switch

OPERATING PRINCIPLE:

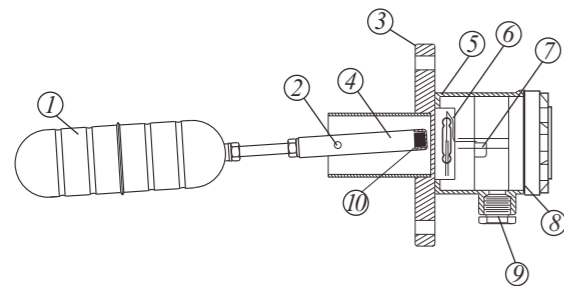
The reed switch relies on two basic scientific principles namely: buoyancy and magnetism. Buoyancy causes the float (which contains a magnet) to rise with the liquid and magnetism helps open and close the switch. A change in liquid levels raises or lowers the float up or down. The start of the pivot arm (non float side) contains a permanent magnet that repels the switch (inside the housing).

FEATURES:

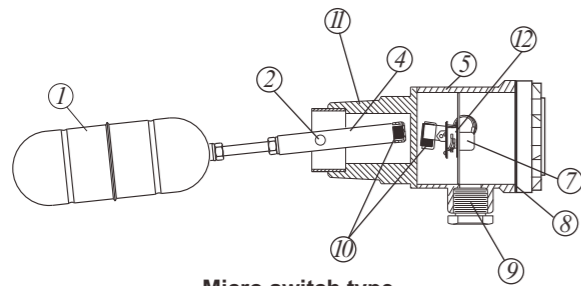
- Stainless steel SUS304 & SUS316 are available.
- Customized flanges
- Floats for diverse mediums and liquids.
- IP65 Housing protection
- Micro-Switch & Reed switches available.
- Able to withstand ambient temperatures of 100°C .
- Explosion Proof options available.

SPECIFICATIONS:

Housing material	Aluminum or Stainless Steel
Connection	1-1/2"~6" Threads or Flange Type
Material of wetted parts	SUS304 or SUS316
Operating pressure	max. 30Kg/cm ²
Ambient temperature	-20~85°C
Operating temperature	-20~200°C
Contact form	SPDT (1C)



Reed switch type



Micro switch type

- | | | |
|------------|----------------|------------------|
| 1. Float | 6. Reed Switch | 11. Screw |
| 2. Shaft | 7. Terminal | 12. Micro switch |
| 3. Flange | 8. O-ring | Conduit/ |
| 4. Pivot | 9. Conduit | Connection |
| 5. Housing | 10. Magnet | |



TEST DEVICE:

Material: SS41
Testing the floats and wiring before installation can help save time. The tests can be run without using liquid.



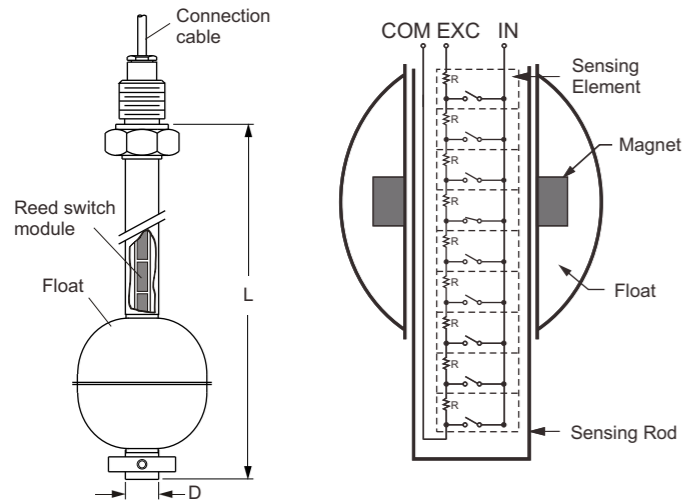
FG Magnetic Float Level Sensor

OPERATING PRINCIPLE:

The "Magnet Float Level Transmitter" is composed of a float and sensing rod (shown below). As the float is raised or lowered by the liquid level, the sensing rod will induce a resistance output, which is directly proportional to the liquid level. The Magnet Float Level Transmitter is a sturdy, reliable and durable device that is applicable across most industries.

FEATURES:

- Lower installation costs, maintenance, personnel training reduced and decreased plant shock downtime.
- High performance and reliable electric circuit modular design.
- Output unaffected by temperature & pressure changes.
- Explosion Proof series available.
- Marine Approvals: ABS, DNV, BV, LR, GL are available.



SPECIFICATIONS:

Material of housing	Aluminum or Stainless Steel
Protection	IP65 or Ex proof
Connection	2"~6" Threads or Flange Type
Material of wetted parts	SUS304 or SUS316
Operating pressure	max. 30Kg/cm ²
Ambient temperature	-20~85°C
Operating temperature	-20~120°C
Resolution	6.35mm or 12.7mm
Load resistance	1K~20MΩ
Output signal	4~20mA
Measuring range	max. 5 M

TRANSDUCER:

Model	TAB-2110 Transducer
Power supply	12~36Vdc
Output	Loop power 4~20mA
Load resistance	RL(max.)=50(Vs-8)
Ambient temperature	-40~80°C
Ambient humidity	0~80% RH
Accuracy	±0.1%(25°C)
Temperature	0.01%F.S./°C
Adjustment range	Span Ajustment 20% FS Zero Ajustment 5% FS



By-Pass Level Transmitter

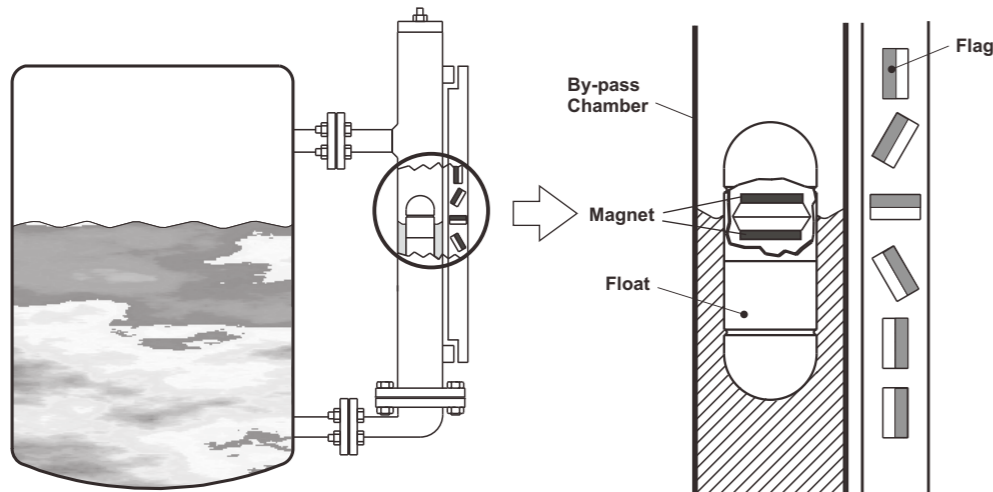
OPERATING PRINCIPLE:

By-Pass indicators accurately show the liquid level inside a tank. The bypass chamber contains a magnetic float which rises and falls with the liquid level.

The user can physically see the changes as the flag indicators change color as the magnetic float passes by. Analog output and switches are also available.

FEATURES:

- Withstands high temperatures, pressure and highly corrosive liquids.
- Highly rigid even in hazardous locations.
- Level transducers for analog output or adjustable magnetic switches available.
- Unaffected by power disruptions.
- Liquid level visible to user.

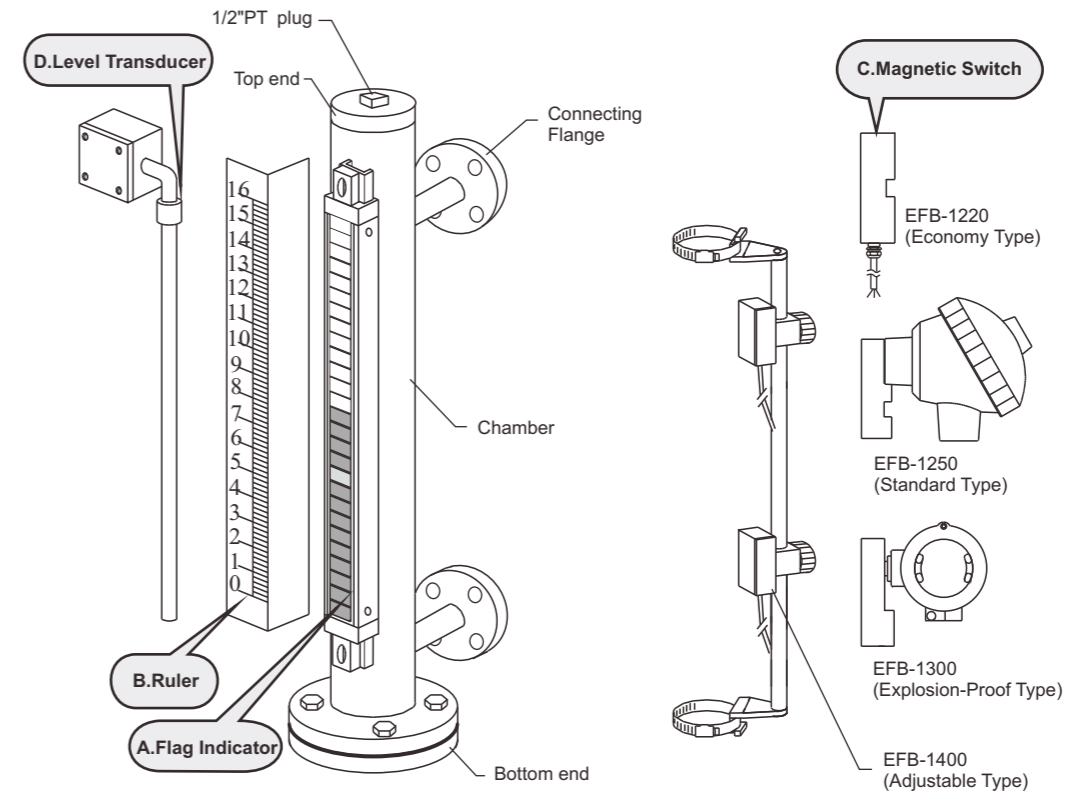


SPECIFICATIONS:

Chamber material	Stainless Steel SUS304/ SUS316
C-C distance	150mm~5800mm
Connection	3/4"~4" Flange/ Threads ANSI, JIS, DIN or other
S.G. of float	0.6~0.87
Operating pressure	max. 25 kg/cm ²
Operating temperature	max. 200°C
Protection	IPX7

By-pass level transmitter optional accessories:

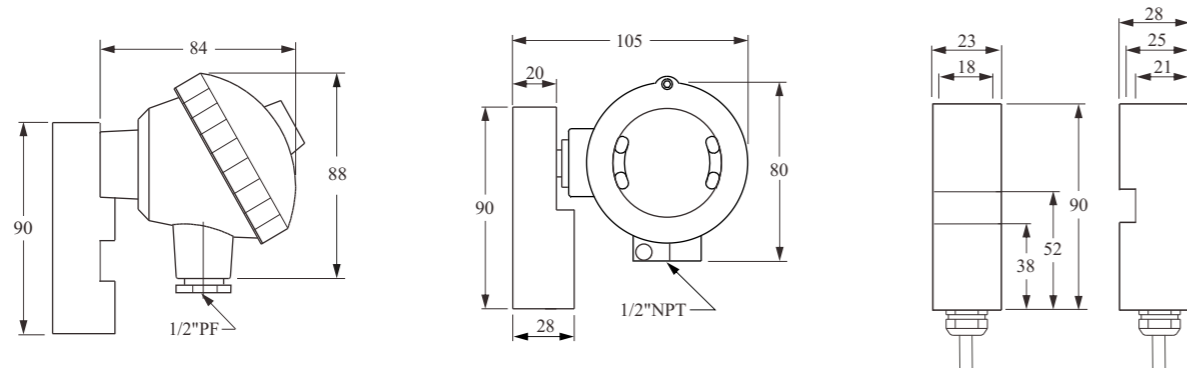
- B: Metal Ruler
- C: Magnetic Switch
- D: Level Transducer



OPTIONAL ACCESSORIES FOR BY-PASS LEVEL TRANSMITTER:

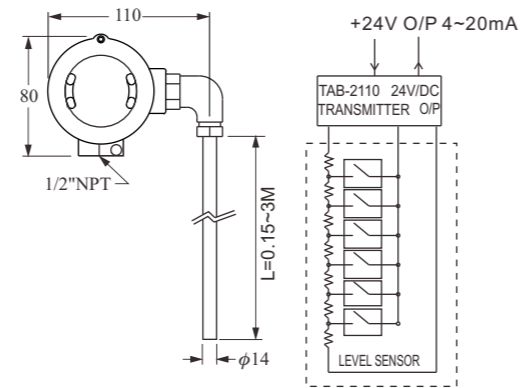
Magnetic Switch

Contact form: SPDT hold type: EFB-1220, EFB-1250, EFB-1300
 SPDT normal type: EFB-1230, EFB-1260, EFB-1310
 Contact capacity: 1A/ 30W/ 200Vdc/ 240Vac
 Operating temperature: -20~200°C
 Protection: IP67



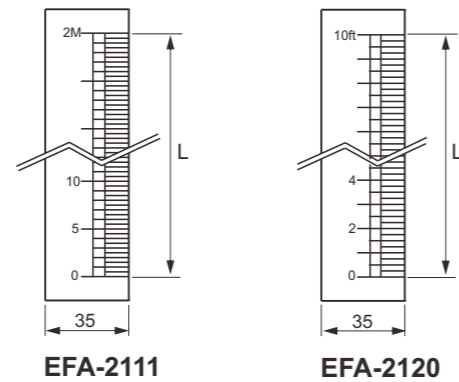
Level Transducer

Material of housing: Aluminum: K, X, L type
 SUS304/SUS316: N type
 Tube : $\phi 14\text{mm} / \phi 17.2$ (length over 3M)
 SUS 304 or SUS 316
 Accuracy : 6.35mm
 Output : 4~20mA two-wire
 Power : 12~36Vdc
 Measuring range : 0.15~3M / 3~5.8M ($\phi 17.2$)
 Ambient temperature. : -10~80°C
 Accuracy : $\pm 0.1\%$



Ruler

Dimension : 35(W)x1.5(T)xL
 Material: SUS 304
 Numbr color: Black
 Operation temperature: -20~400°C
 Length: 5.8M (228")



PM/ PB Display Meter

FEATURES:

Display meters can be connected to our level sensors to show the user the exact liquid level inside the tank/bin. It is also possible to set switch for high and low levels on the meters.

SPECIFICATIONS:

Model	Digital display model PM-1430、PM-1530 PM-2430 Bargraph display model PB-1471、PB-2471、 PB-1470、PB-1570
Power supply	85~265 Vac / 18~36Vdc
Input signal	4~20mA / 0~20mA 2~10Vdc / 0~10Vdc
Output signal	4~20mA / 0~20mA 2~10Vdc / 0~10Vdc
Relay output	4 or 6 replay contacts(max. 8) SPST 3A/250Vac
Operating temperature	0~55°C
Display	4 or 5 digits, 101 segment LED bargraph
Dimension	96 (W)×48(H) 48(W)×144(H) 144(W)×48(H)



MEF Mini By-Pass Level Transmitter

APPLICATION:

Applicable in various environments such as oil tanks, water tanks and steam boilers. Especially useful in tight or limited spaces

FEATURES:

- Visible changes in liquid levels.
- Compact & easy to install.
- Magnetic switch can be installed to monitor the high/ low level with alarm output.
- Level transducer available with 4-20mA output.

SPECIFICATIONS:

Wetted parts material chamber	Stainless Steel SUS304/ SUS316
C-C distance	150mm~3000mm
Connection	3/8"~3" Flange/ Threads ANSI, JIS, DIN or other
S.G. of float	0.7~0.8
Operating pressure	max.10Kg/cm ²
Operating temperature	max. 200°C
Protection	IPX7



FD Bilge level switch

WORKING PRINCIPLE:

The float moves up and down with the liquid in the tank. The magnet inside the float actuates the switch which can turn any connected devices on and off.

FEATURES:

- Durable performance.
- Optional stainless steel -SUS304/ 316L
- Reed switch and wires isolated from liquid for safety.
- No power supply required.
- 1 million switching lifetime.
- Slosh shield prevent false actuation due to turbulence

SPECIFICATIONS:

Switching Capacity Max.	50W SPST
Switching Voltage Max.	240Vac/200Vdc
Switching Current Max.	1A
Operation Pressure	1 ATM
Operation Temp.	max. 80°C
Wetted Material	SUS304 (NBR float)
Suitable S.G.	0.7
Connector/ Cable	M12/PVC/Silicon /DIN 43650



FDB-0450 SLOSH SHIELD PARTS

