


● Characteristics

1530 - DR-SERIES - TEMPERATURE - RESISTANCE THERMOMETER - DIN RAIL -

	- Input:	1x or 2x RTD Pt100
	- Sensor type:	3-wire
	- Output:	1x or 2x 4...20 mA current loop
	- Supply:	1x or 2x out of current loop (10...35 VDC)
	- Sensor current:	0,8 mA
	- Temperature ranges:	within -50...+800 °C
	- Connection:	plug-in terminal strip
	- Accuracy:	0,2% of full scale range
	- Protection:	IP20
	- Galvanical insulation:	without
- Case:	DR22,5 (PA66 GF30, 117,2x22,5x113,6 mm)	

● Technical data

Input

Sensor: 1x or 2x RTD Pt100 (IEC 751), 3-wire
 Current: 0,8 mA
 Ranges: -30...+80 °C / -50...+200 °C / 0...+200 °C / 0...+300 °C / 0...+400 °C / 0...800 °C

Output

Current: 1x or 2x 4...20 mA (current loop)
 Over- Under-Scale limit: 2,2...27 mA (typical)
 Load: <500 Ω
 Adjustment: Zero and span: 1 potentiometer (each channel)
 Range: ±3% FS

Performance

Accuracy: 0,2% full scale range (typical), 0,5% maximum
 Response time: 10 ms
 Temperature coefficient: 250 ppm/K maximum
 Linearization: yes
 Galvanical insulation: without

Supply

Voltage: 1x or 2x 10...35 VDC (current loop)

Ambient conditions

Operation temperature: -20...+50°C
 Storage temperature: -20...+85°C
 CE-mark: EMC directive 2004/108/EG / EN 61000-6 / EN 60751

● Applications

The Double RTD Transmitter is a cost-effective possibility to measure the temperature with a resistance thermometer combined with a standard output signal of 4...20 mA. Five predefined measuring ranges are available. The device can be mounted simply on top hat rails.

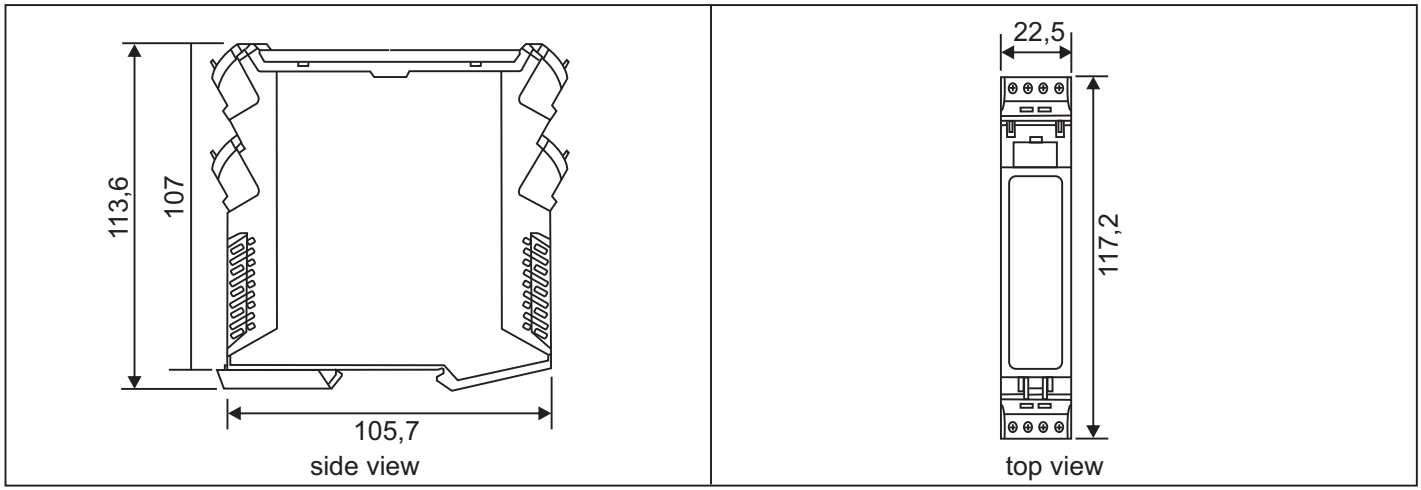


● **Technical data (continued)**

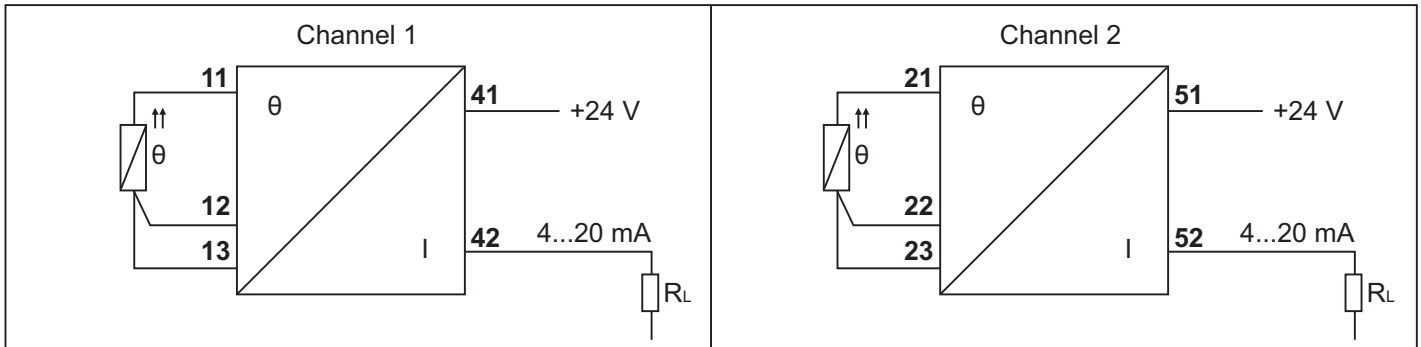
Mechanics

Case:	
Type:	DR22,5
Dimensions:	117,2x22,5x113,6 mm
Material:	PA66 GF30, black
Flammability:	UL 94 V-0
Mounting:	DIN rail TS 35
Lift-up lid:	covers potentiometer for adjustment
Protection:	IP 20
Weight:	approx. 150 g
Electrical connection:	4 plug-in terminal strips 4-pole (Clamping range:0,13...3,31 mm ²)

● **Dimensions (in mm)**



● **Electrical connection**



● **Order code**

B W X X X X X - X

Input channel 1:	Range -30...+80 °C	0							
	Range -50...+200 °C	1							
	Range 0...+200 °C	2							
	Range 0...+300 °C	3							
	Range 0...+400 °C	4							
	Range 0...+800 °C	5							
Input channel 2:	Without channel 2	X							
	Range -30...+80 °C	0							
	Range -50...+200 °C	1							
	Range 0...+200 °C	2							
	Range 0...+300 °C	3							
	Range 0...+400 °C	4							
Range 0...+800 °C	5								
Output:	1x or 2x 4...20 mA								1
Enclosure:	DR22,5								C
Supply:	1x or 2x 10...35 VDC								2
Configuration:	Factory setting ¹⁾								0
Special model:	No								0

1) Measuring range: Settings are made according order