

● Characteristics

6 - WEIGHING SYSTEM - SOLUTION - VESSEL - SILO - TANK - VEHICLE - SCALE



- Input:	up to 6 strain gauge full bridges (350 Ω)
- Output:	1 strain gauge summing-up signal
- Bridge connection:	4-wire and shield
- Configuration:	DIP switch, microswitch
- Supply voltage:	18...28 VDC
- Bridge supply:	10 VDC
- Sensor error checking:	break, short circuit, drift
- Connection:	plug-in terminal strip
- Cable entry:	8 screwed cable glands M16x1,5
- Protection:	IP65
- Enclosure:	impact-resistant plastics, diecast aluminium

● Technical data

Input

Sensor:	1...6 strain gauge full bridge	
Configuration:	via DIP switch, microswitch	
Bridge resistance:	350 Ω	
Bridge supply:	10 VDC	
Bridge connection:	4-wire	
Range input signal:	1...4 mV/V	
Cable towards sensor:	Length:	10 m maximal
	Type:	single shielded (recommended)

Strain gauge monitoring

Gain:	1
Monitoring:	sensor break, sensor and mid-point short circuit, sensor resistance drift
Test signals:	cyclic test pulse
Error signal internally:	associated LED of the strain gauge lights error collective relay switches (?? VDC ?? A / ?? VAC ?? A)
Error signal externally:	detuning of the strain gauge summing-up signal Evaluation: with downstream control and diagnostic unit

Output

Strain gauge:	Summing-up signal
Zero point offset:	adjustable via potentiometer

Supply

Voltage:	18...28 VDC
Current consumption:	150 mA maximum

Ambient conditions

Operation temperature:	-20...+60°C
Storage temperature:	-20...+70°C

● Applications

The summing amplifier is for use in ranges, where load and force measuring with several measuring points has to be done with just one measuring amplifier, eg in container terminals, silo works or overhead cranes. Due to the monitoring of the connected load cells it provides an additional safety.

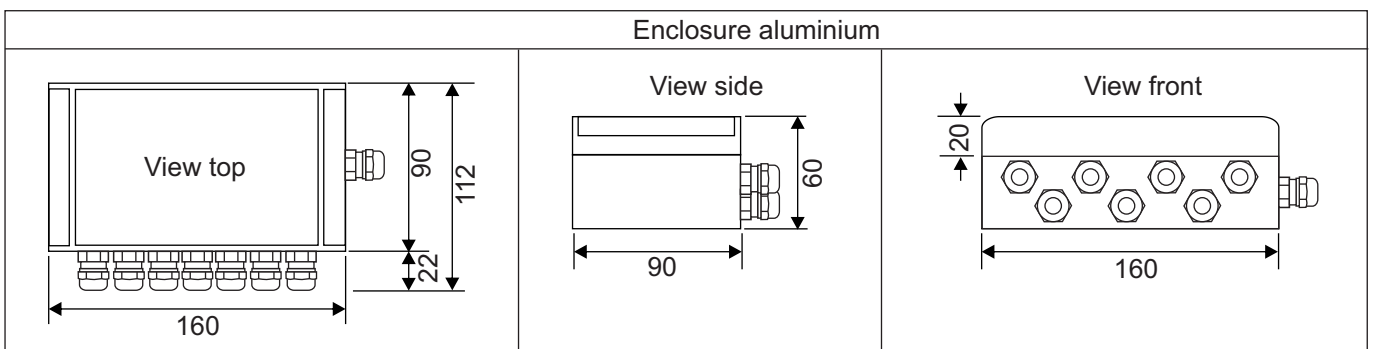
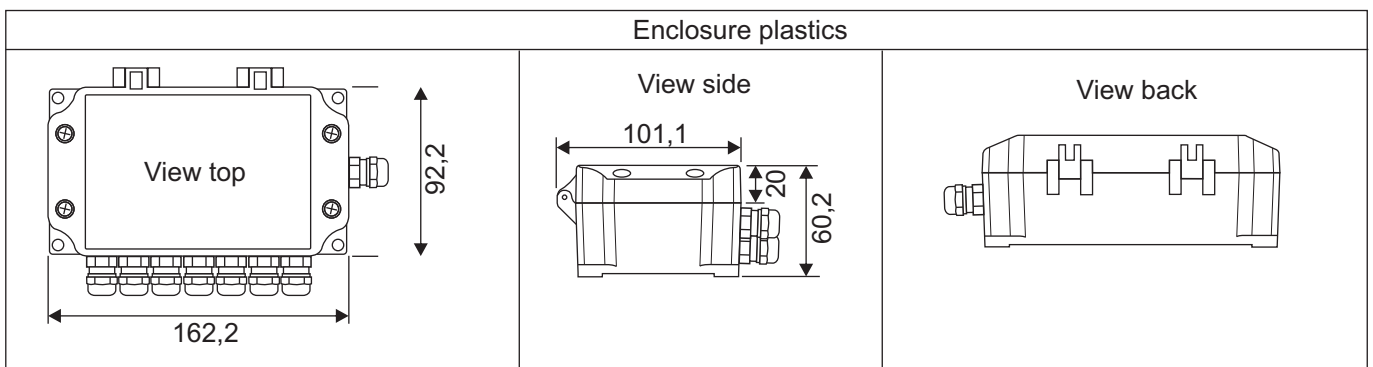


● **Technical data (continued)**

Mechanics

Enclosure aluminium:	Type:	aluCase AC 092 with clip-on design covers
	Dimensions:	160 x 90 x 60 mm
	Material:	die-cast aluminium
	Mounting:	covered screw channels
	Colour:	RAL 9006 (aluminium white)
	Weight:	approx. 850g
Enclosure plastics:	Type:	U-CASE 2
	Dimensions:	162,2 x 92,2 (101,1) x 60,2 mm
	Material:	ASA 757G Luran S
	Mounting:	4 mounting holes
	Colour:	black
	Weight:	approx. 450 g
Degree of protection:	IP 65	
Connection:	plug-in terminal strips, up to 1,5 mm ²	
Cable entry:	8 screwed cable glands M16x1,5 (metal)	

● **Dimensions (in mm)**



● **Connection**

<p>Strain gauge bridge 1</p> <table border="1" style="margin: auto; border-collapse: collapse; width: 80%;"> <tr> <td style="text-align: center;">11</td> <td style="text-align: center;">12</td> <td style="text-align: center;">13</td> <td style="text-align: center;">14</td> <td style="text-align: center;">15</td> </tr> <tr> <td style="text-align: center;">+</td> <td style="text-align: center;">-</td> <td style="text-align: center;">+</td> <td style="text-align: center;">-</td> <td style="text-align: center;">⊥</td> </tr> <tr> <td colspan="2" style="text-align: center;">Signal</td> <td colspan="2" style="text-align: center;">Supply</td> <td style="text-align: center;">Shield</td> </tr> </table>	11	12	13	14	15	+	-	+	-	⊥	Signal		Supply		Shield	<p>Strain gauge bridge 2</p> <table border="1" style="margin: auto; border-collapse: collapse; width: 80%;"> <tr> <td style="text-align: center;">21</td> <td style="text-align: center;">22</td> <td style="text-align: center;">23</td> <td style="text-align: center;">24</td> <td style="text-align: center;">25</td> </tr> <tr> <td style="text-align: center;">+</td> <td style="text-align: center;">-</td> <td style="text-align: center;">+</td> <td style="text-align: center;">-</td> <td style="text-align: center;">⊥</td> </tr> <tr> <td colspan="2" style="text-align: center;">Signal</td> <td colspan="2" style="text-align: center;">Supply</td> <td style="text-align: center;">Shield</td> </tr> </table>	21	22	23	24	25	+	-	+	-	⊥	Signal		Supply		Shield
11	12	13	14	15																											
+	-	+	-	⊥																											
Signal		Supply		Shield																											
21	22	23	24	25																											
+	-	+	-	⊥																											
Signal		Supply		Shield																											
<p>Strain gauge bridge 3</p> <table border="1" style="margin: auto; border-collapse: collapse; width: 80%;"> <tr> <td style="text-align: center;">31</td> <td style="text-align: center;">32</td> <td style="text-align: center;">33</td> <td style="text-align: center;">34</td> <td style="text-align: center;">35</td> </tr> <tr> <td style="text-align: center;">+</td> <td style="text-align: center;">-</td> <td style="text-align: center;">+</td> <td style="text-align: center;">-</td> <td style="text-align: center;">⊥</td> </tr> <tr> <td colspan="2" style="text-align: center;">Signal</td> <td colspan="2" style="text-align: center;">Supply</td> <td style="text-align: center;">Shield</td> </tr> </table>	31	32	33	34	35	+	-	+	-	⊥	Signal		Supply		Shield	<p>Strain gauge bridge 4</p> <table border="1" style="margin: auto; border-collapse: collapse; width: 80%;"> <tr> <td style="text-align: center;">41</td> <td style="text-align: center;">42</td> <td style="text-align: center;">43</td> <td style="text-align: center;">44</td> <td style="text-align: center;">45</td> </tr> <tr> <td style="text-align: center;">+</td> <td style="text-align: center;">-</td> <td style="text-align: center;">+</td> <td style="text-align: center;">-</td> <td style="text-align: center;">⊥</td> </tr> <tr> <td colspan="2" style="text-align: center;">Signal</td> <td colspan="2" style="text-align: center;">Supply</td> <td style="text-align: center;">Shield</td> </tr> </table>	41	42	43	44	45	+	-	+	-	⊥	Signal		Supply		Shield
31	32	33	34	35																											
+	-	+	-	⊥																											
Signal		Supply		Shield																											
41	42	43	44	45																											
+	-	+	-	⊥																											
Signal		Supply		Shield																											
<p>Strain gauge bridge 5</p> <table border="1" style="margin: auto; border-collapse: collapse; width: 80%;"> <tr> <td style="text-align: center;">51</td> <td style="text-align: center;">52</td> <td style="text-align: center;">53</td> <td style="text-align: center;">54</td> <td style="text-align: center;">55</td> </tr> <tr> <td style="text-align: center;">+</td> <td style="text-align: center;">-</td> <td style="text-align: center;">+</td> <td style="text-align: center;">-</td> <td style="text-align: center;">⊥</td> </tr> <tr> <td colspan="2" style="text-align: center;">Signal</td> <td colspan="2" style="text-align: center;">Supply</td> <td style="text-align: center;">Shield</td> </tr> </table>	51	52	53	54	55	+	-	+	-	⊥	Signal		Supply		Shield	<p>Strain gauge bridge 6</p> <table border="1" style="margin: auto; border-collapse: collapse; width: 80%;"> <tr> <td style="text-align: center;">61</td> <td style="text-align: center;">62</td> <td style="text-align: center;">63</td> <td style="text-align: center;">64</td> <td style="text-align: center;">65</td> </tr> <tr> <td style="text-align: center;">+</td> <td style="text-align: center;">-</td> <td style="text-align: center;">+</td> <td style="text-align: center;">-</td> <td style="text-align: center;">⊥</td> </tr> <tr> <td colspan="2" style="text-align: center;">Signal</td> <td colspan="2" style="text-align: center;">Supply</td> <td style="text-align: center;">Shield</td> </tr> </table>	61	62	63	64	65	+	-	+	-	⊥	Signal		Supply		Shield
51	52	53	54	55																											
+	-	+	-	⊥																											
Signal		Supply		Shield																											
61	62	63	64	65																											
+	-	+	-	⊥																											
Signal		Supply		Shield																											
<p>Strain gauge summing-up signal</p> <table border="1" style="margin: auto; border-collapse: collapse; width: 80%;"> <tr> <td style="text-align: center;">71</td> <td style="text-align: center;">72</td> <td style="text-align: center;">73</td> <td style="text-align: center;">74</td> <td style="text-align: center;">75</td> </tr> <tr> <td style="text-align: center;">+</td> <td style="text-align: center;">-</td> <td style="text-align: center;">+</td> <td style="text-align: center;">-</td> <td style="text-align: center;">⊥</td> </tr> <tr> <td colspan="2" style="text-align: center;">Signal</td> <td colspan="2" style="text-align: center;">(Supply)</td> <td style="text-align: center;">Shield</td> </tr> </table>	71	72	73	74	75	+	-	+	-	⊥	Signal		(Supply)		Shield	<p>Supply / Error contact</p> <table border="1" style="margin: auto; border-collapse: collapse; width: 80%;"> <tr> <td style="text-align: center;">1</td> <td style="text-align: center;">2</td> <td style="text-align: center;">3</td> <td style="text-align: center;">4</td> <td style="text-align: center;">5</td> </tr> <tr> <td style="text-align: center;">+</td> <td style="text-align: center;">-</td> <td style="text-align: center;">C</td> <td style="text-align: center;">NC</td> <td style="text-align: center;">NO</td> </tr> <tr> <td colspan="2" style="text-align: center;">Supply 18...28 VDC</td> <td colspan="3" style="text-align: center;">Error contact</td> </tr> </table>	1	2	3	4	5	+	-	C	NC	NO	Supply 18...28 VDC		Error contact		
71	72	73	74	75																											
+	-	+	-	⊥																											
Signal		(Supply)		Shield																											
1	2	3	4	5																											
+	-	C	NC	NO																											
Supply 18...28 VDC		Error contact																													

● **Order code**

S E X X X X X X

Input:	1...6 strain gauge full bridges	1						
Output:	1 strain gauge summing up signal	0						
Connection:	Plug-in terminal strips via screwed cable glands	0						
Supply:	18...28 VDC	0						
Enclosure:	Aluminium 160x90x60							1
	Plastics 162x92x60							2
	Plastics 162x92x60 with EMC coating							3
Special model:	No							0
	Yes (please indicate)							1

● **Overview PCB connection**

