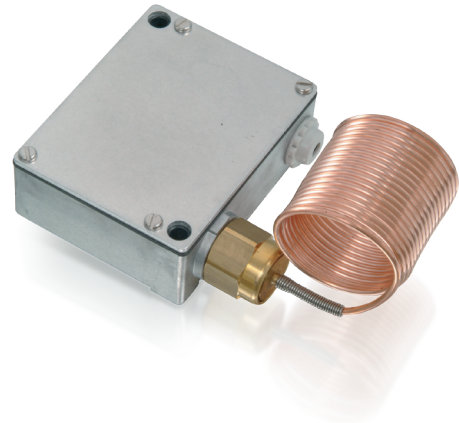


FROSTSTAT

Swiss based Trafag is a leading international supplier of high quality sensors and monitoring instruments for the measurement of pressure and temperature. The Froststat was specifically designed as single stage temperature controller for monitoring temperature around 0°C, i. e. to prevent ice build-up on air heaters.



Applications

- HVAC
- Refrigeration

Features

- Rugged aluminium housing
- Short response time
- Protection IP54
- Electrical connection on terminal screw

Technical Data

Designation of application	Frost protection thermostat	Switching differential	Not adjustable
Measuring range	-5 ... +15°C	Repeatability	± 0.5 % FS typ.
Output signal	Floating change-over contact	Approval	EN60730-1/ EN60730-2-9: Typ 2.B.H

08/2014

Data sheet H72123e

Subject to change

Ordering information/type code

		XXX . XXXX	XXXXXX
Custom build code	Sensor 3m	990 . 1299	
	Sensor 6m	991 . 1299	
	Sensor 3m, limiter	992 . 1299	
	Sensor 6m, limiter	993 . 1299	
Accessories	Protection level IP65		20
	6 pcs. Capillary holder		K80140

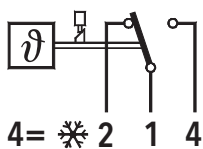
Standard products (extra short lead time)

Product No.	Type Code	Sensor material	
F15	991 1299 000	Copper capillary tube, L=6m	Internal setpoint adjustment
F153	990 1299	Copper capillary tube, L=3m	Internal setpoint adjustment
F15R	993 1299 000	Copper capillary tube, L=6m	Internal setpoint adjustment and external reset knob
F153R	992 1299	Copper capillary tube, L=3m	Internal setpoint adjustment and external reset knob

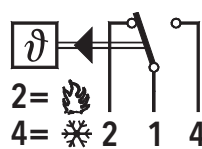
Specifications		
Accuracy	Repeatability	± 0.5 % FS typ.
	Scale accuracy typ.	± 1.5 % FS typ.
	Switching differential	2.0°C typ.
Environmental Conditions	Media temperature	Sensor temperature max.: 140°C Sensor reponse length : ~ 30 cm
	Ambient temperature	Max. operating temperature: +70°C Min. operating temperature: switch point + 2°C
	Storage temperature	-30...+70°C
	Protection	IP 54
	Humidity	Max. 95% relative
Mechanical Data	Housing	Copper (Cu)
	Filling	Liquid
	Housing	AlSi9Pb3
	Screwed cable gland	PE, Polyethylen
	Installation	Any position
	Weight	~ 850 g
Microswitch	Rating	See table
	Resistance of insulation	> 2 MΩ
	Dielectric strength	2 kV terminal ground
	Life time (mechanical)	0.3 Mio. cycles
Electrical connection	Cable gland	M20x1.5 Cable-Ø 8...13 mm
	Terminal screw	3 x 1...2.5 mm ²

Electrical data switch			
Type	Features	Rating	
		Resistive Load (Inductive Load)	
		AC	DC
12	High vibration resistance; average switching differential	125 V, 15 (1.5) A 250 V, 15 (1.25) A 500 V, 10 (0.75) A	250 V, 0.3(0.2) A 125 V, 0.75(0.4) A 30 V, 15(1.5) A 14 V, 15 (1.5) A

Electrical Connection

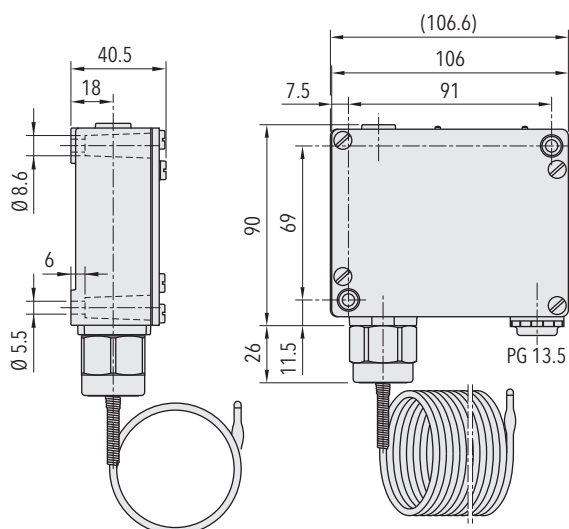


992/993
Limiter, decreasing

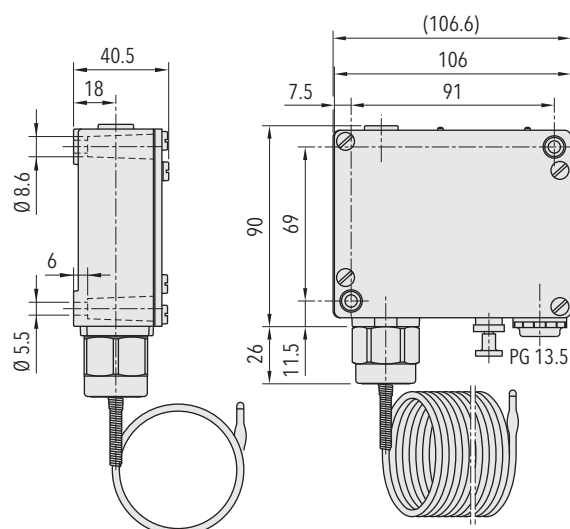


990/991

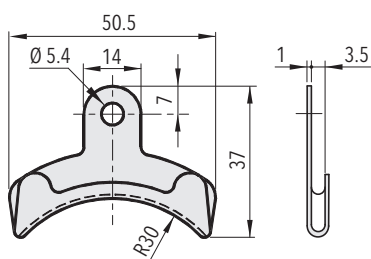
Dimensions



990/991.XXXX.XX



992/993.XXXX.XX



99X.XXXX.K80140

Additional information

Documents

Data sheet	www.trafag.com/H72123
Instructions	www.trafag.com/H70821
Flyer	www.trafag.com/H70952

