

AMBISTAT

Swiss based Trafag is a leading international supplier of high quality sensors and monitoring instruments for the measurement of pressure and temperature.



Applications

- HVAC
- Refrigeration

Features

- Short response time
- Protection IP54
- Electrical connection on terminal screw

Technical Data

Designation of application	Room thermostat	Switching differential	Adjustable / not adjustable
Measuring range	-45 ... +15 to 0 ... +60°C	Repeatability	± 0.5 % FS typ.
Output signal	Floating change-over contact	Approval	EN60730-1/ EN60730-2-9: Typ 2.B.H

05/2015

Data sheet H72170g

Subject to change

Ordering information/type code

		XXX	XX	XXX	XXX	XX	XX
Custom build code	External adjustment	645					
	Internal adjustment	650					
Microswitch	Small switching differential, not adjustable		10				
	Average switching differential, not adjustable		11				
	With gold plated contacts, not adjustable		21				
	Adjustable large switching differential		24				
	Adjustable standard switching differential		25				
Range	Range [°C]	Operating temperature [°C]					
	-45 ... +15	-45 ... +30		* 05			
	-30 ... +30	-30 ... +40		02			
	-20 ... +40	-30 ... +50		* 06			
	0 ... +30	-30 ... +50		03			
	+10 ... +40	-30 ... +70		04			
	0 ... +60	-30 ... +70		12			
Sensor	Stainless steel (1.4435 / AISI316L)					401	
	Copper					402	
	Copper nickel plated					403	
Fixing ²⁾	Console						19
Accessories	Set blocking (only type 650)						15
	Railway version (UIC 616)						28
	Outdoor usage (aerated)						44
	Cover with window						77

²⁾ See data sheet H72106

* Only with type 650 internal adjustment

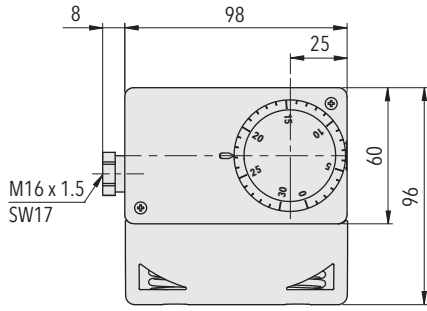
Standard products (extra short lead time)

Product No.	Type Code	Temperature range [°C]	Switching differential [°C]	Operating temperature [°C]
A30	645 2503 402 19	0 ... +30	0.7 ... 6	-30 ... +50
A33	645 2502 402 19	-30 ... +30	0.7 ... 6	-30 ... +40
A40	645 2504 402 19	+10 ... +40	0.7 ... 6	-30 ... +70
A60	645 2512 402 19	0 ... +60	0.7 ... 6	-30 ... +70
AS30	650 2503 402 19	0 ... +30	0.7 ... 6	-30 ... +50
AS33	650 2502 402 19	-30 ... +30	0.7 ... 6	-30 ... +40
AS40	650 2504 402 19	+10 ... +40	0.7 ... 6	-30 ... +70
AS60	650 2512 402 19	0 ... +60	0.7 ... 6	-30 ... +70
ASE40	650 2404 402 19 0000 0000 00 00 00 01	+10 ... +40	5 (fixed)	-30 ... +70

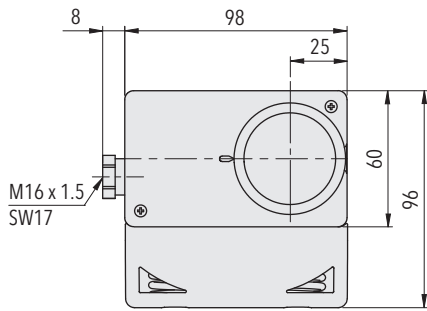
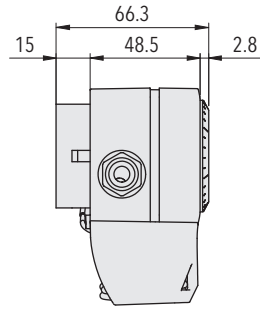
Specifications		
Accuracy	Repeatability	± 0.5 % FS typ.
	Scale accuracy typ.	± 2 % FS typ.
	Switching differential	see table
Environmental conditions	Ambient temperature	see ordering information
	Storage temperature	Range < +40°C: -30...+50°C Range > +40°C: -30...+85°C
	Protection	IP54
	Humidity	Max. 95 % relative
Mechanical Data	Sensor housing	see ordering information
	Filling	Liquid
	Housing	PC/ABS-Blend V0
	Screwed cable gland	PA, Polyamid
	Installation	any position
	Weight	~ 300 g
Microswitch	Rating	see table
	Resistance of insulation	> 2 MΩ
	Dielectric strength	U ≤ 250V: 1.45 kV U ≤ 500V: 2 kV terminal ground
	Life time (mechanical)	Microswitch 10/11/25: 20 Mio. cycles Microswitch 21: 0.5 Mio. cycles Microswitch 24: 0.3 Mio. cycles
Electrical connection	Cable gland	M16x1.5 Cable-Ø 4...9 mm
	Terminal screw	3 x 1...2.5 mm ²

Additional information		
Documents	Data sheet	www.trafag.com/H72170
	Instructions	www.trafag.com/H73624
	Flyer	www.trafag.com/H70961

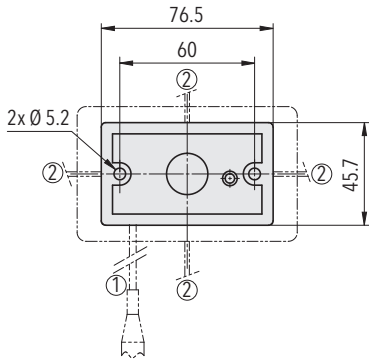
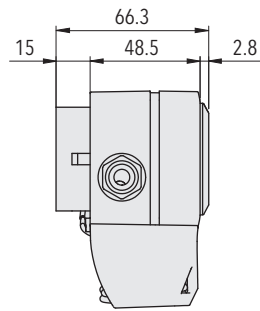
Dimensions



645.XXXX.XXX.XX.XX



650.XXXX.XXX.XX.XX

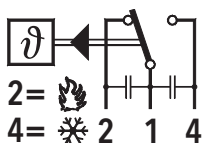


6XX.XXXX.XXX.19.XX

Switching differential typ.		
Range	[°C]	-45 ... +15 -30 ... +30 -20 ... +40 0 ... +30 +10 ... +40 0 ... +60
Microswitch 10 Switching differential (fixed value, not adjustable)	[°C]	0.3
Microswitch 11 Switching differential (fixed value, not adjustable)	[°C]	0.7
Microswitch 21 Switching differential (fixed value, not adjustable)	[°C]	0.7
Microswitch 24 Switching differential (adjustable value)	[°C]	3 ... 10
Microswitch 25 Switching differential (adjustable value)	[°C]	0.7 ... 6

Electrical data switch			
Type	Features	Rating	
		Resistive Load (Inductive Load)	
		AC	DC
10	Small switching differential, not adjustable	125 V, 10 (1.5) A 250 V, 10 (1.25) A	250 V, 0.2 (0.02) A 125 V, 0.4 (0.03) A 30 V, 2 (1) A 14 V, 15 (2.5) A
11	Average switching differential, not adjustable	125 V, 15 (1.5) A 250 V, 15 (1.25) A 500 V, 10 (0.75) A	250 V, 0.25(0.03) A 125 V, 0.5(0.05) A 30 V, 6 (1.5) A 14 V, 15 (1.5) A
21	Gold plated contacts, not adjustable	24 V, 0.1(0.1)A 12 V, 1 (1) A 5 V, 2 (2) A	24 V, 0.1(0.1)A 12 V, 1 (1) A 5 V, 2 (2) A
25	Adjustable standard switching differential	125 V, 15 (1.5) A 250 V, 15 (1.25) A 500 V, 10 (0.75) A	250 V, 0.25(0.03) A 125 V, 0.5(0.05) A 30 V, 6 (1.5) A 14 V, 15 (2.5) A
24	Adjustable large switching differential	125 V, 15 (1.5) A 250 V, 15 (1.25) A 500 V, 10 (0.75) A	250 V, 0.3 (0.2) A 125 V, 0.75 (0.4) A 30 V, 15 (1.5) A 14 V, 15 (1.5) A

Electrical Connection



645/650

