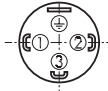
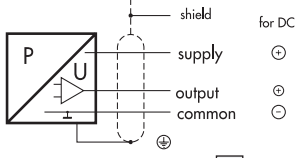



Elektrischer Anschluss / Raccordement électrique / Electrical connection

Schutzart/ protection ¹⁾	IP65 ¹⁾
Ausführung Exécution Execution	DIN 43650-A 04
Ausgangssignal Signal de sortie Output	
	for DC 2 3 1 
8498.XX.XXXX.XX.37.XX	

¹⁾ nur mit vorschriftsmässig montierter Kabeldose gültig
valable seulement avec fiche femelle montée selon instructions
provided female connector is mounted according to instructions

Type	Output	Load resistance	I _{SUPPLY}	U _{SUPPLY}
ECOS...	0 ... 10VDC	≥5.0 kΩ	≤10 mA	18 ... 30 VAC
ECON...	4 ... 20 mA	(U _{supply} -9V) / 20mA		9 ... 32 VDC

Anziehdrehmoment Druckanschluss / Couple de serrage raccord de pression / Torque moment pressure connection

15 ... 20 Nm

Betriebstemperatur / Température de service / Operating temperature

U_{SUPPLY} VAC: -10°C ... +70°C (+15 ... +160°F)
U_{SUPPLY} VDC: -25°C ... +85°C (-15 ... +185°C°F)

Lagertemperatur / Température de stockage / Storage temperature

-25°C ... +85°C (-15 ... +185°C)

Medientemperatur / Température du fluide / Media temperature

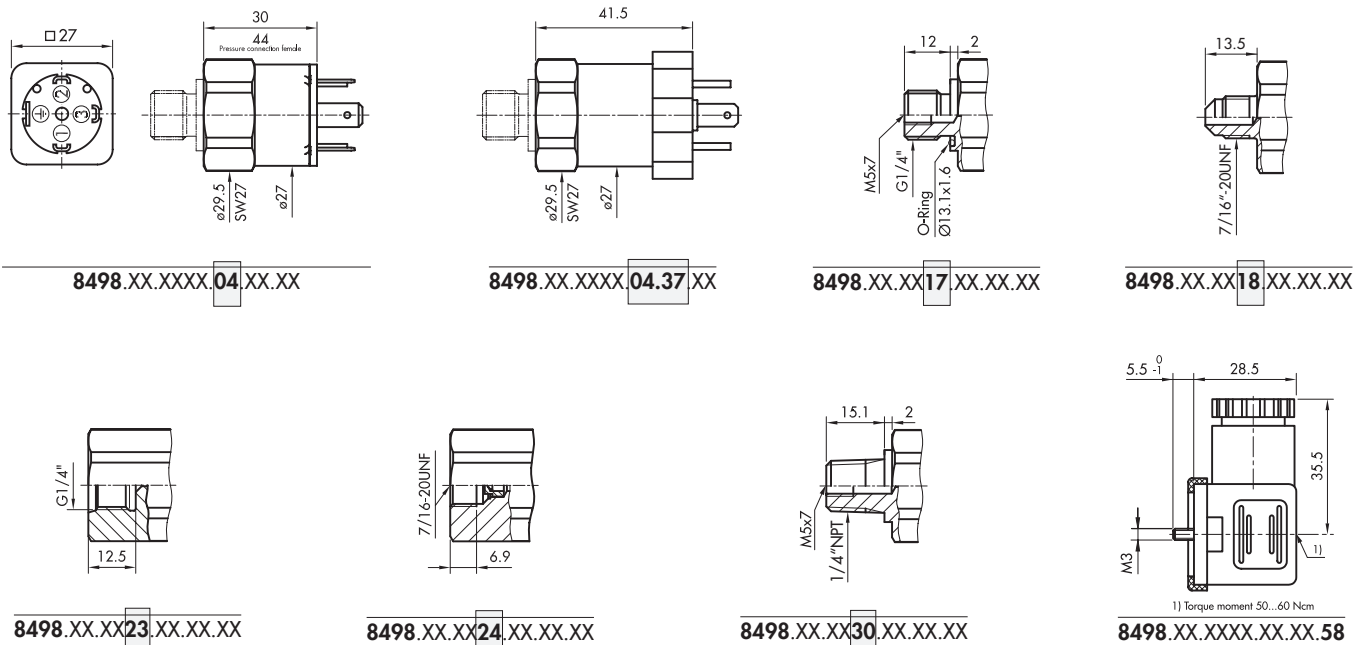
≤ 60 bar: -25°C ... +85°C (-15 ... +185°C)
> 60 bar: -10°C ... +85°C (+15 ... +185°F)

O-Ring (medienberührend) / Joint torique (contact. de médias) / O-Ring (media contacting)

FKM	Code ...XX.61
CR	...XX.62
EPDM	...XX.63

Nenndruck pression nominal nominal pressure		Überdruck Surpression Over pressure	
[bar]	[psi]	[bar]	[psi]
0 ... 1	0 ... 15	4	55
0 ... 1.6	0 ... 20	4	55
0 ... 2.5	0 ... 30	6	85
0 ... 4	0 ... 50	10	145
0 ... 6	0 ... 100	15	215
0 ... 10	0 ... 150	25	360
0 ... 16	0 ... 250	40	580
0 ... 25	0 ... 400	60	870
0 ... 40	0 ... 500	80	1160
0 ... 60	0 ... 1000	120	1740
0 ... 100	0 ... 1500	200	2900
0 ... 160	0 ... 2000	320	4640
0 ... 250	0 ... 3000	500	7250
-1 ... 9	-15 ... 130	25	360
-1 ... 16	-15 ... 250	40	580

Massbilder / Cotes d'encombrement / Dimensions



Connection of the measuring equipment

