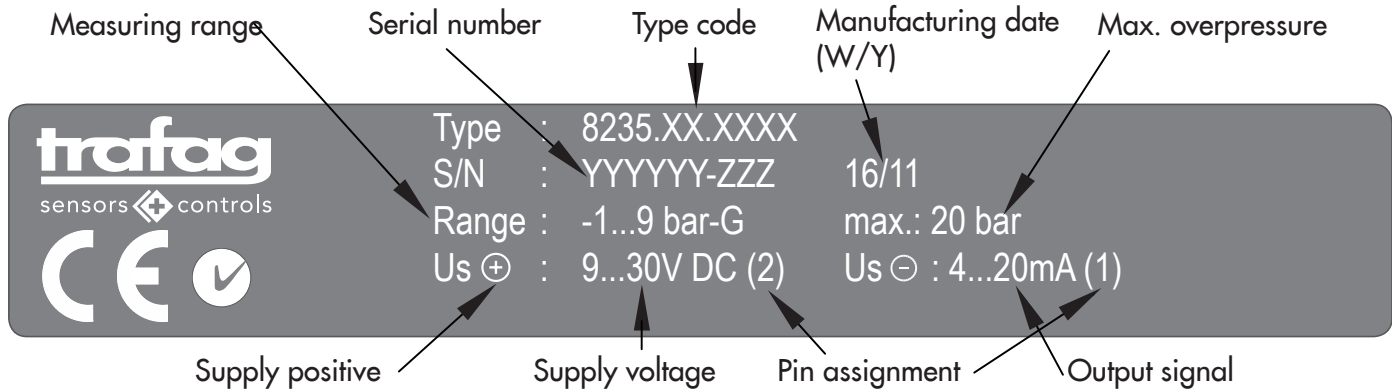


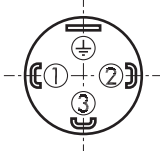
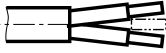
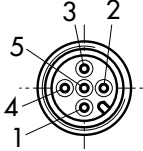
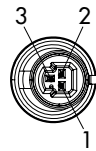
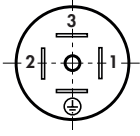
**Technical specification**

Mounting torque: 20 ... 25 Nm not lubricated / 15 ... 20 Nm lubricated  
 Operating temperature: -40°C ... +85°C  
 Media temperature: -40°C ... +125°C  
 Sealing temperature range: -15°C ... +125°C Mat. FPM (FKM)  
 -25°C ... +100°C Mat. NBR

**Type label description**



**Electrical connections**

Ingress Protection	IP65 <sup>2)</sup>	IP65	IP67 <sup>2)</sup>	IP67 <sup>2)</sup>	IP65
Designation	EN175301-803A (DIN43650-A)	Cable* (PVC) 4 x 0.25mm <sup>2</sup>	M12x1 5-pol.	Packard Metri Pack 3-pol.	Industrial Standard
Type code	8235.XX.XXXX.05	8235.XX.XXXX.22	8235.XX.XXXX.35	8235.XX.XXXX.51	8235.XX.XXXX.01
Pin configuration					

**Output**

4 ... 20 mA  
 0 ... 5 VDC  
 1 ... 6 VDC  
 0 ... 10 VDC  
 0.5 ... 4.5 VDC

**Load resistance**

$(U_{\text{Supply}} - 9V) / 20\text{mA}$   
 > 2.5 kΩ  
 > 5.0 kΩ  
 > 5.0 kΩ  
 > 5.0 kΩ

**I<sub>SUPPLY</sub>**

<10 mA  
 <10 mA  
 <10 mA  
 <10 mA

**U<sub>SUPPLY</sub>**

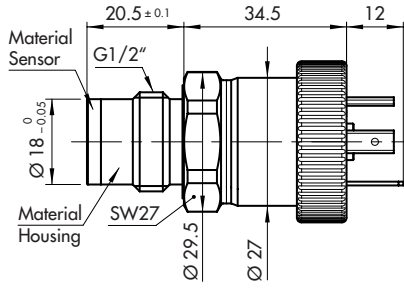
9 ... 30 VDC  
 10 ... 30 VDC  
 10 ... 30 VDC  
 15 ... 30 VDC  
 5 VDC ±0.25 V

<sup>2)</sup> provided female connector is mounted according to instructions

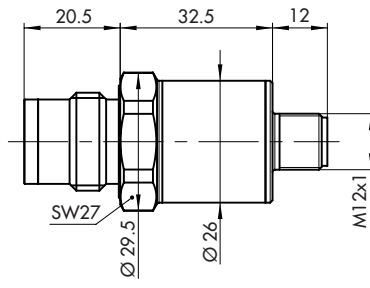
\* shield in the device is not connected

# Electrical connections

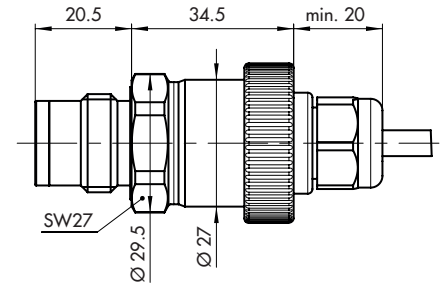
## Pressure connection



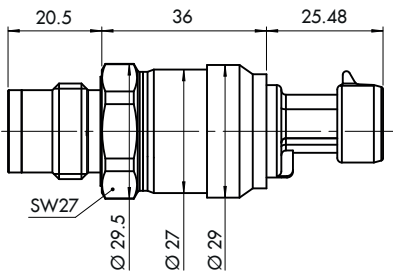
8235.XX.XX91.05.XX.XX



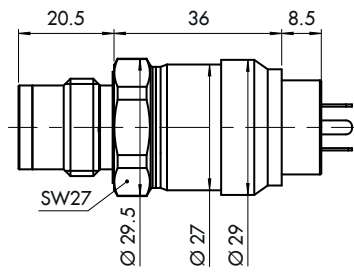
8235.XX.XX91.35.XX.XX



8235.XX.XX91.22.XX.XX

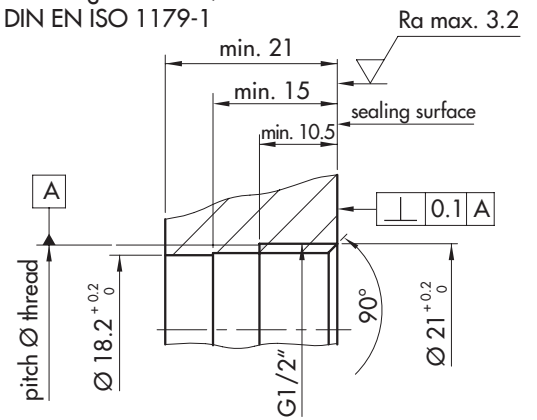


8235.XX.XX91.51.XX.XX



8235.XX.XX91.01.XX.XX

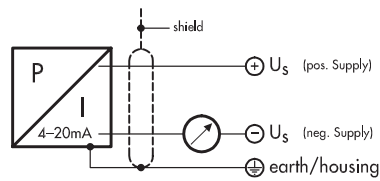
Mounting thread G1/2"  
DIN EN ISO 1179-1



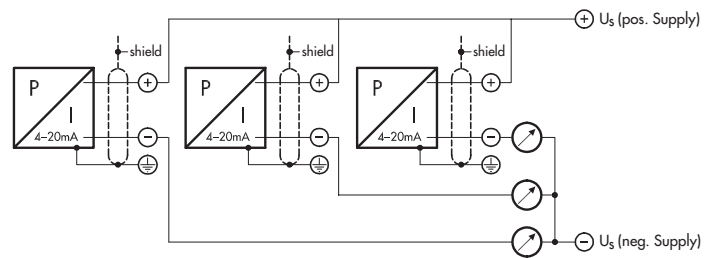
## Connection of the measuring equipment

### Current output 2-wires

single arrangement

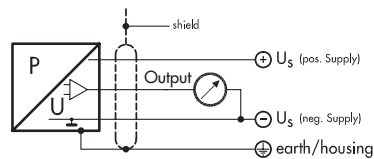


multiple arrangement



### Voltage output 3-wires

single arrangement



multiple arrangement

