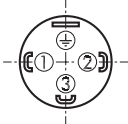

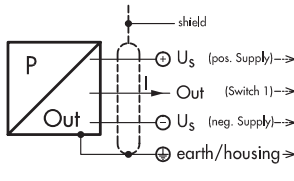



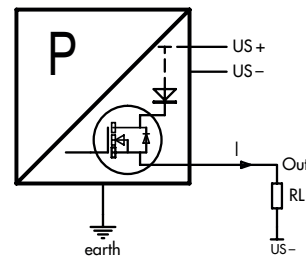
Technical specification

Supply Voltage: 24 (9...32) VDC
 Switching current: ≤ 0.5 A @ -40...+85°C (Option: ≤ 0.4 A @ +85...+125°C)
 Mounting torque: 25 Nm
 Operating temperature: -25°C ... +85°C (Option: -40°C ... +125°C)
 Media temperature: -40°C ... 125°C
 Switchpoint: Factory set or programmable on site with Trafag's Sensor Communicator SC (execution 04 only)

Electrical connections

Protection	IP65 (IP67)	IP69K
Execution	EN175301-803-A (DIN43650-A)	Cable*
Switch Output		
 8320.XX.XXXX.XX.T1	1 2 3 	brown blue black yellow/green

* Ventilation via cable end



Connection of loads on switch contacts

Programming device Sensor Communicator SC



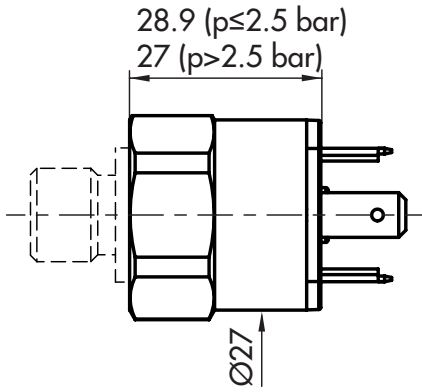
Sensor Communicator SC
 Programming cable with connector
 EN175301-803-A

Manual see:
www.trafag.com/H73699 (english) H73698 (deutsch)

Ordering No.

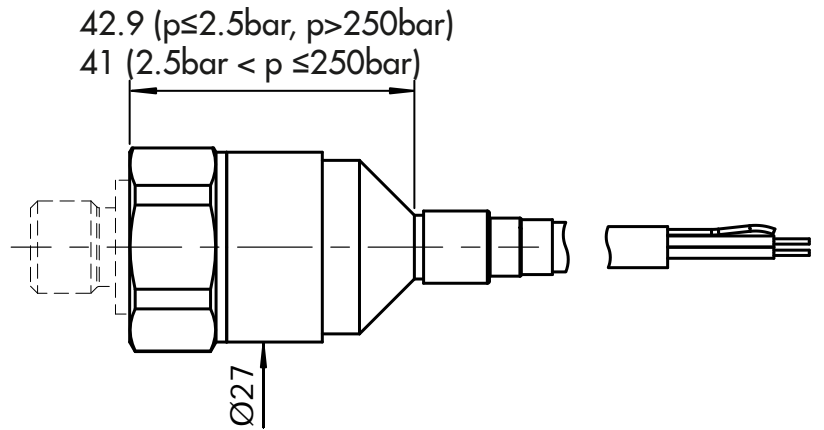
F88030
 F88049

DIMENSIONS



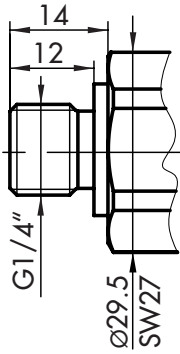
8320.XX.XXXX.04.XX.XX

Switchpoint factory set or freely programmable

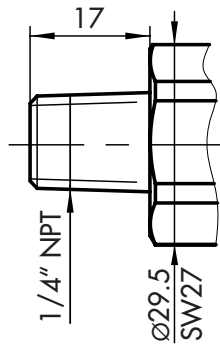


8320.XX.XXXX.78.XX.XX

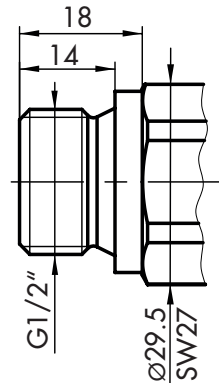
Switchpoint factory set



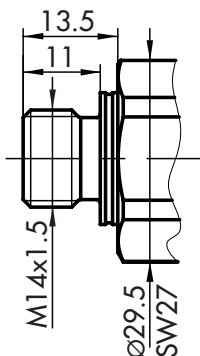
8320.XX.XX17.XX.XX



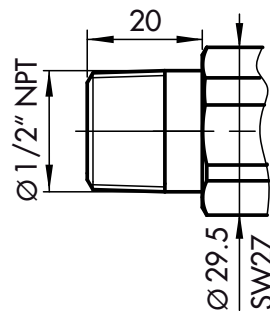
8320.XX.XX30.XX.XX



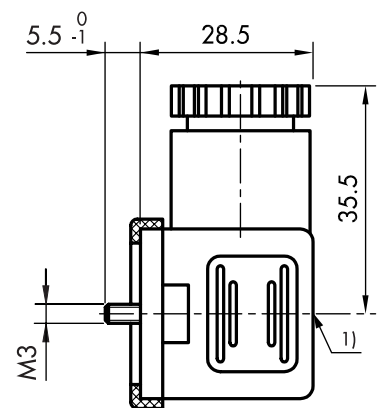
8320.XX.XX21.XX.XX



8320.XX.XX22.XX.XX



8320.XX.XX51.XX.XX



1) Torque moment 50...60 Ncm

8320.XX.XXXX.XX.XX58