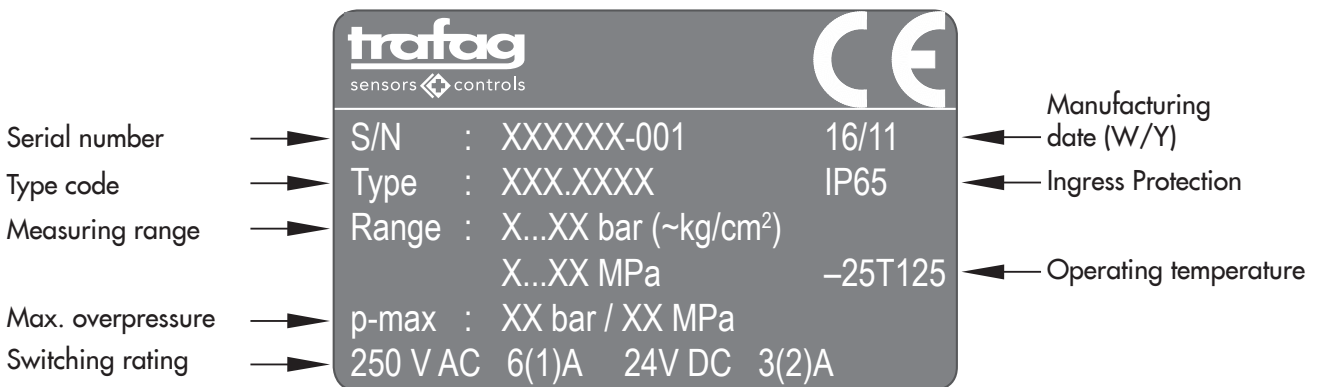


Technical specification

		9B4	9K4	9M4
Operating temperature:	Standard:	-25°C ... +125°C	-25°C ... + 85°C	0°C ... +80°C
	with sensor 789/790/791:	-40°C ... +125°C		
Media temperature:	Standard:	-25°C ... +125°C	-25°C ... + 125°C	0°C ... +80°C
	with sensor 789/790/791:	-40°C ... +125°C		

Type label description



Serial number → S/N : XXXXXX-001 16/11 ← Manufacturing date (W/Y)

Type code → Type : XXX.XXXX IP65 ← Ingress Protection

Measuring range → Range : X...XX bar (~kg/cm²)
X...XX MPa -25T125 ← Operating temperature

Max. overpressure → p-max : XX bar / XX MPa

Switching rating → 250 V AC 6(1)A 24V DC 3(2)A

Switching differential (typ.) [bar] fixed value, not adjustable

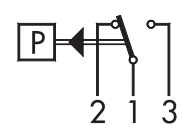
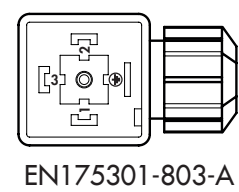
Bellows sensor 9B4	[bar] [psi]	Range							
		-0.6...3.4 -8...45	0...4 0...50	0...6 0...100	1...10 14...150	1...16 14...250	2...25 30...400	4...40 60...500	
Microswitch 42/33/84	[bar] [psi]	0.2 ± 0.1 4.5	0.2 ± 0.1 4.5	0.2 ± 0.1 4.5	0.4 ± 0.2 9	0.4 ± 0.2 9	1.0 ± 0.6 22	1.2 ± 0.8 26	
P max.	[bar] [psi]	12 174	12 174	12 174	24 348	24 348	40 580	50 725	

Piston sensor 9K4	[bar] [psi]	Range								
		1...10 14...150	1...16 14...250	2...25 30...400	4...40 60...500	6...60 85...850	10...100 150...1500	16...160 250...2500	25...250 350...3500	40...400 580...5800
Microswitch 42/33/84	[bar] [psi]	0.4...2.4 6...35	0.4...2.4 6...35	1...6 14.5...88	1...6 14.5...88	5...15 73...218	5...15 73...218	12...40 174...580	12...40 174...580	15...50 218...725

Membrane sensor 9M4	[bar] [psi]	Range						
		1...10 14...150	1...16 14...250	2...25 30...400	4...40 60...500	6...60 85...850	10...100 150...1500	
Microswitch 42/33/84	[bar] [psi]	0.2...1.7 3...24.5	0.2...1.7 3...24.5	1.2...4.5 18...66	1.2...4.5 18...66	4...16 58...232	4...16 58...232	

Electrical connections

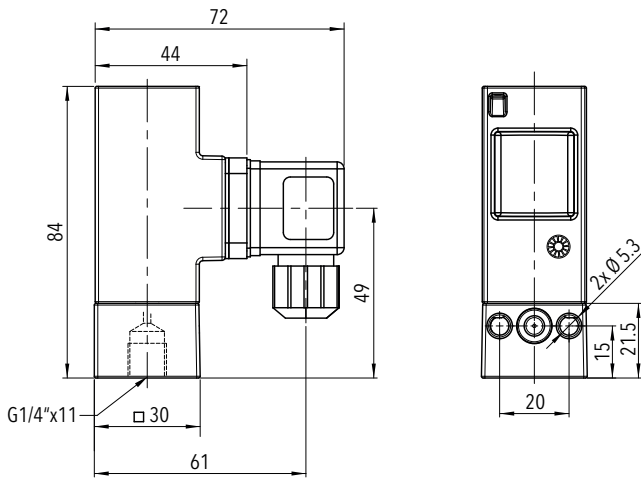
Type	Features	Rating ¹⁾	
		AC	DC
42/33	Silver contacts	250 V 6 (1) A	220 V 0.25 (0.1) A 110 V 0.5 (0.2) A 60 V 1 (0.5) A 24 V 3 (2) A 12 V 6 (6) A
Standard			
84	Gold plated contacts, suitable for intrinsically safe control circuits	max. 30 V 0.1 (0.1) A min. 5 V 5 mA	



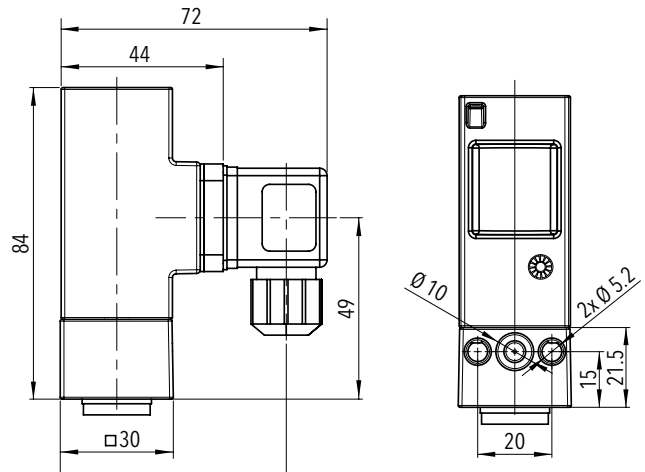
H73367g Trafag AG 03/2015 We reserve the right to make alternations as technical progress may warrant.

¹⁾ Resistive Load (Inductive Load)

Dimensions

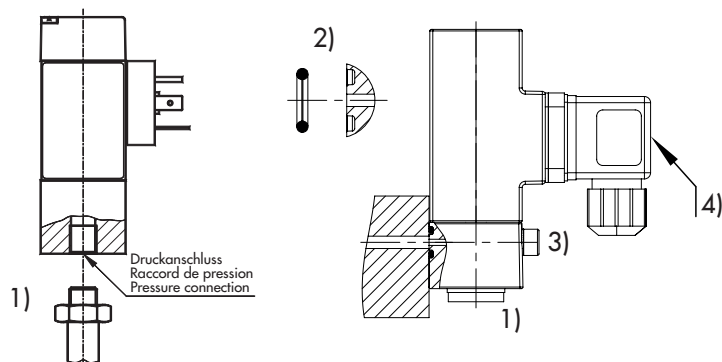


9X4.XXXX.7XX.04.46.V3



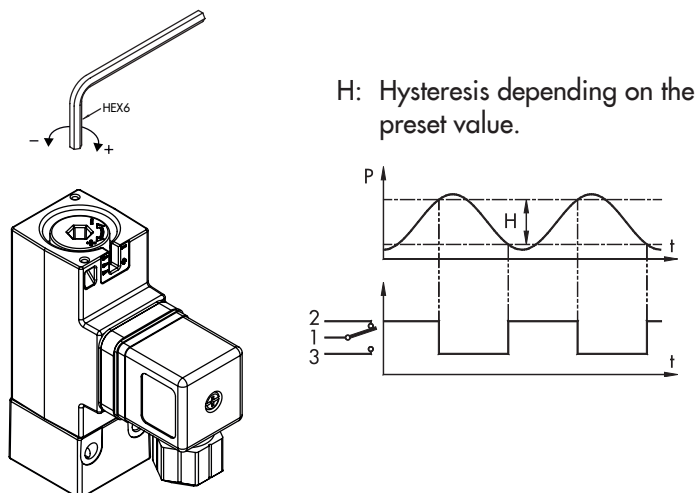
9X4.XXXX.7XX.04.11.46.74.V3

Pressure connection



- 1) Torque: $G 1/4''$: $M_A = 32 \dots 40 \text{ Nm}$
- 2) O-ring: $\varnothing 6.75 \times 1.78$
 $\geq 250 \text{ bar NBR 90 Shore}$
 $< 250 \text{ bar NBR 75 Shore}$
- 3) Fastening screw: M5
 Property class: 8.8
 Mounting torque: $4.5 \dots 6 \text{ Nm}$
- 4) Torque connector center screw: $\text{max. } 0.4 \text{ Nm}$

Switching point adjustment



Attention

