

MODEL 3750 HAND PUMP

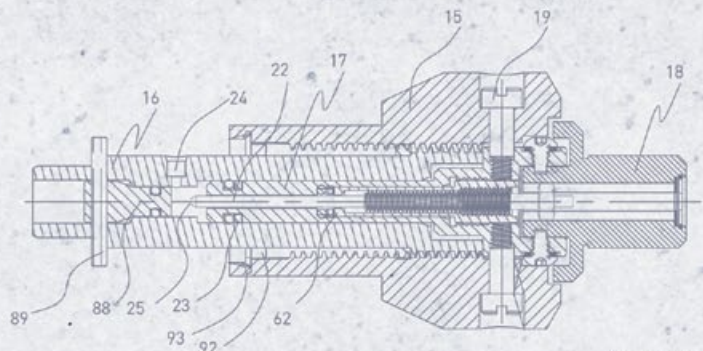
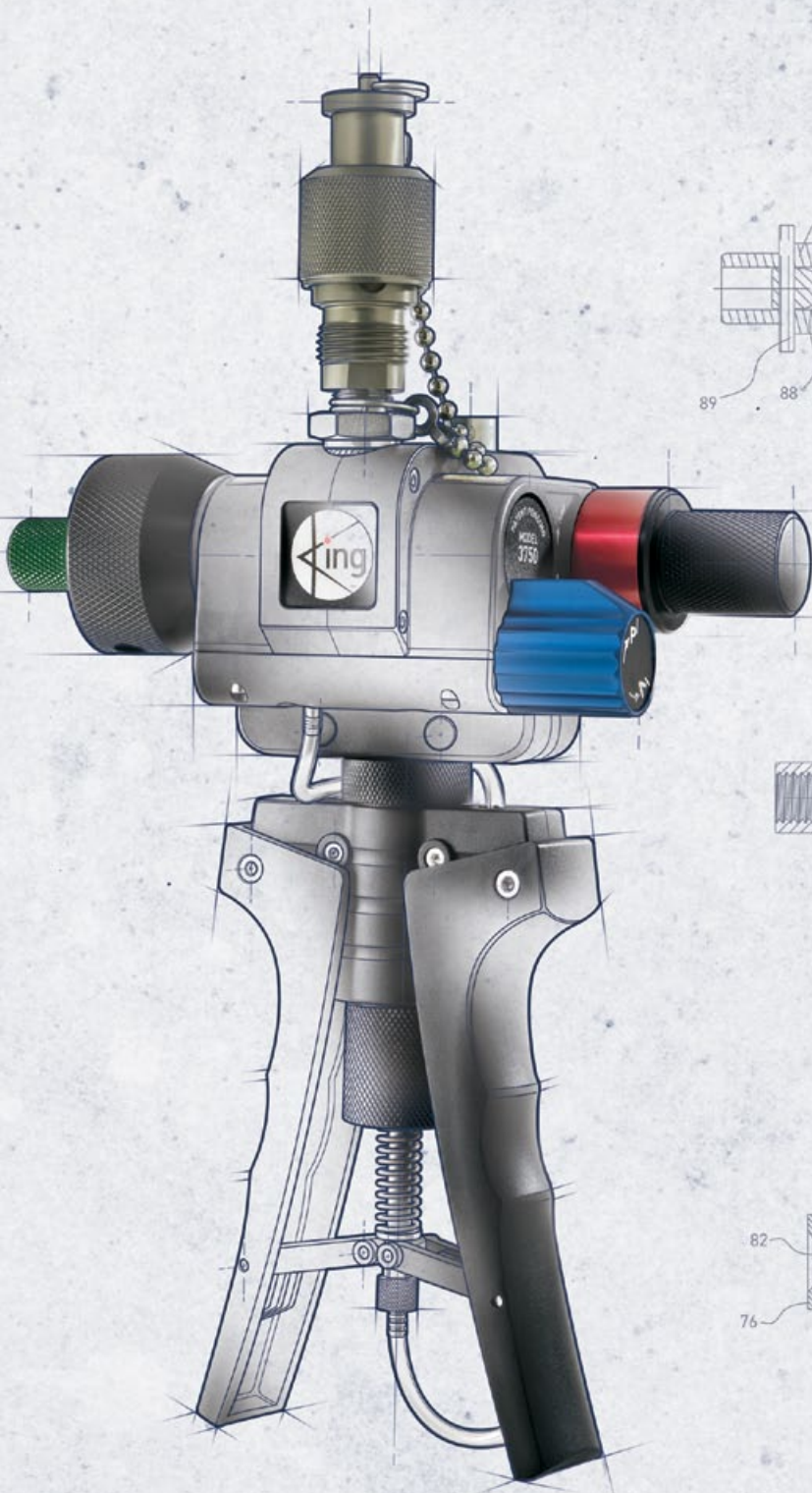


Figure 22
DUAL PISTON VOLUME ADJUSTER

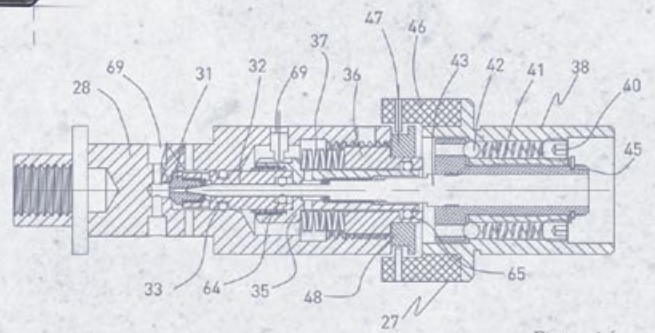


Figure 14
PRV + BLEED VALVE

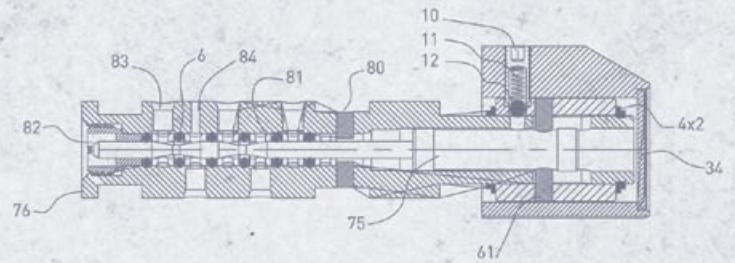


Figure 10
SELECTOR-PRESSURE POSITION

INTRODUCING THE MOST ADVANCED, MULTI-FUNCTION HAND PUMP IN THE MARKET TODAY.

TESTED UNDER EXTREME CONDITIONS

The Model 3750 is engineered to perform — even in the harshest environments. Constructed with stainless steel and advanced corrosion protection on all wetted components, rugged impact resistant controls, and wear resistant seals and control surfaces, the Model 3750 is purpose-built for all of your real world applications. In fact, the Model 3750 is the U.S. Navy's hand pump of choice for shipboard calibration on all of its ships and submarines.

A PORTABLE SOLUTION FOR PRECISION CALIBRATION

You can incorporate the Model 3750 Portable Pressure Calibrator into your existing pressure calibration system or let King Nutronics provide you with a custom configured pressure calibration system — complete with all the equipment necessary to perform precision pressure calibrations specific to your requirements.

GUARANTEED TO LAST

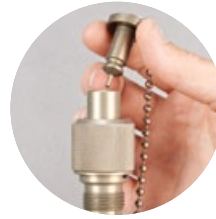
Designed with the U.S. Navy shipboard calibration workload in mind, the Model 3750 is rugged, reliable and built to last. With proper maintenance and scheduled service, your Model 3750 is under warranty for 25 months of trouble-free performance.

CONTACT US

For more information contact us at:
General Information: info@marktechnical.nl
Sales: sales@marktechnical.nl
Website: www.marktechnical.nl
Telephone: +31 (0)162 -314285



• Dual piston volume adjuster



• Quick disconnect socket assembly



• Fluid reservoir for hydraulic pressure testing



• 140 degree rotating pump head

• Bleed valve with bubble-tight control and no-crush knob clutch

• Quick twist mode selector valve

- Pneumatic and hydraulic pressure output from one pump
- Advanced corrosion-resistant materials and coatings
- Redesigned pump controls
- Proprietary elastomeric seals
- Industry best 25 month warranty

MODEL
3750

HAND PUMP

ENGINEERED TO PERFORM

Featuring more than 20 unique engineering enhancements,* our industry-leading hand pump is better than ever. The Model 3750 offers greater:

- **Responsiveness:** A unique **quick twist selector valve** transfers knob rotation into linear motion, letting you flip easily between pressure and vacuum modes.
- **Reliability:** **Advanced o-ring sealing technology** delivers reliable, leak-free operation from vacuum to 10,000 psi.**
- **Control:** Integrated pressure relief valve/ bleed valve control makes downscale pressure adjustments easy, with bleed rates less than 0.1psi/sec. A “**no-crush**” **knob clutch** prevents over-tightening and increases valve seat life. And our **bubble-tight needle valve** offers precise, trouble-free pneumatic and hydraulic pressure control.
- **Precision:** Redesigned pump controls let you quickly calibrate set points in both pneumatic and hydraulic applications. **Dual piston technology** features coarse and fine vernier volume adjusters, enabling the operator to choose coarse control for large pressure changes or fingertip fine adjustment to effortlessly dial in pressure test points by as little as 0.001psi.
- **Durability:** **Advanced corrosion-resistant materials and coatings** on all wetted components means lasting performance, even under extreme conditions.

* Patents Pending

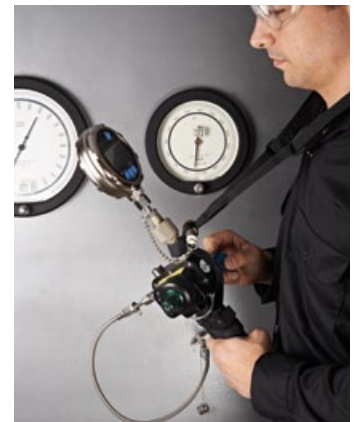
**10,000 psi range available with Model 3750-HDPX

MODEL 3750

PORTABLE PRESSURE CALIBRATOR KIT

Kit components include:

- Multi-Function Hand Pump
- Hand Pump Hydraulic Reservoir
- Third Generation Digital Pressure Gauges (4 each, 0.1% I.V.)
- High Pressure Test Hoses (3-foot and 6-foot lengths)
- Stainless Steel Adapter Fittings Kit
- Fluid Trap
- Hand Tools
- Accessory Kit
- Rugged Storage Case
- Optional Backpack Configuration



SPECIFICATIONS

Hand Pump Dimensions: 13.25" x 8" x 5.25"
Hand Pump Weight: 2.90 lbs.
Weight with Hydraulic Reservoir: 3.5 lbs.

Pressure Connections:

Reference Port: King Nutronics SuperPressure Quick Disconnect
Pressure Output: 1/4" 37° JIC Male
Other configurations available

Operating Pressure and Control:

Discharge Pressure (pneumatic): 0 to 500 psig
Discharge Pressure (hydraulic): Adjustable up to 10,000 psig with HPDX Configuration
Hydraulic Fluid (recommended when using the pump for both pneumatic and hydraulic service): Distilled water
Vacuum: 28.5" Hg Max @ atmospheric pressure of 29.92" Hg
Pressure Relief Valve Adjustable Range: 150 psi – 10,100 psi
Pneumatic Pressure Control Resolution: +/- 0.001 psi
Hydraulic Pressure Control Resolution: +/- 0.1 psi