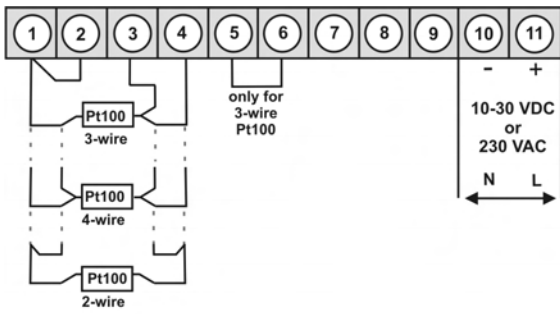




**M2 – 5-digit digital panel meter in 96x48 mm (BxH)
Pt100 (3-/4-wire) -200,0°C...850,0°C / -328,0°F...1562,0°F**

- red display of -19999...99999 digits (optional green, orange, blue or tricolour display)
- compact installation depth: 70 mm without plug-in terminal
- adjustment via factory default or directly on the sensor signal
- min-/max-memory with adjustable permanent display
- display flashing at threshold value exceedance/undercut
- flexible alarm system with adjustable delay times
- brightness control via parameters or front keys
- programming interlock via access code
- protection class IP65 at the front
- plug-in screw terminal
- optional: 2 relay outputs
- optional: 1 independently scalable analog output
- accessories: pc-based configuration-kit PM-TOOL with CD & USB adapter
- on demand: devices for working temperatures of -20°C...60°C or -40°C...70°C

- Pt100 (3-/4-wire) -200,0°C...850,0°C / -328,0°F...1562,0°F



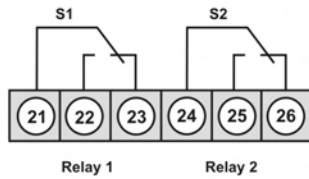
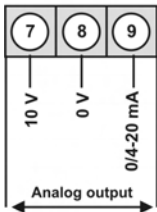
Supply 230 VAC

Supply 10-30 VDC

M2-1TR5B.010C.570CD

M2-1TR5B.010C.670CD

Options:



• Product key options

M	2-	1	T	R	5	B.	0	1	0	C.	5	7	0	C	D
M	2-	1	T	R	5	B.	0	1	0	C.	6	7	0	C	D

EUR

2	2 relay outputs
1	Without keypad, operation on the back
4	Voltage supply 115 VAC
X	Analog output 0/4-20 mA, 0-10 VDC with 230 VAC Analog output 0/4-20 mA, 0-10 VDC with 10-30 VDC
B	Blue
G	Green
Y	Orange
T	Tricolour (Red-Green-Orange)*

*Only one option available with 230 VAC voltage supply: relay outputs or analog output

Please state physical unit on demand, e.g. °F.

• Parameterisation software

PC based configuration software PM-Tool for devices without keypad, for a simple adjustment of standard devices, incl. CD & USB-adapter. Programming is made via an interface on the back.

ORDER NUMBER

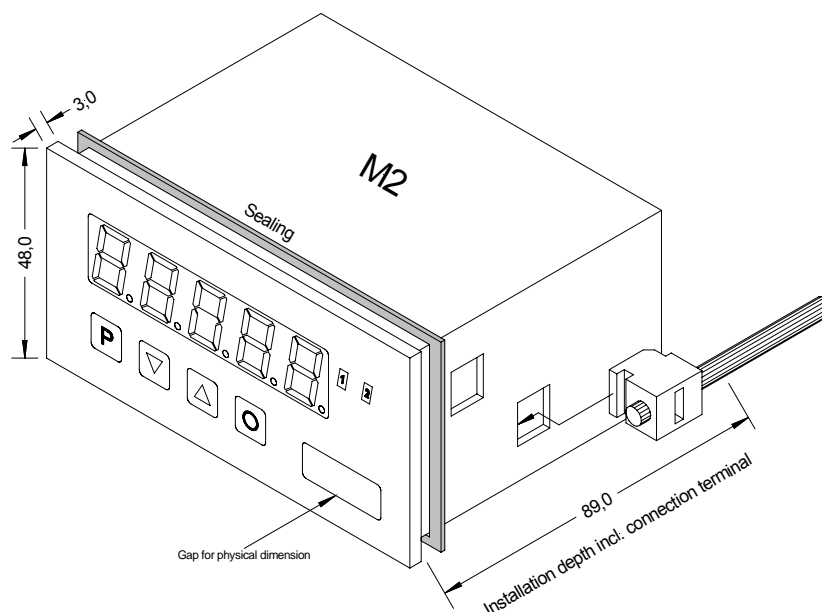
EUR

PM-TOOL-MUSB4

• Technical data

Dimension	Housing	B96 x H48 x D70 mm (including plug-in terminal D= 89 mm)
	Panel cut-out	92.0 ^{+0.8} x 45.0 ^{+0.6} mm
	Fixing	screw elements for insulation thickness up to 3 mm
	Housing material	PC Polycarbonate, black
	Sealing material	EPDM, 65 Shore, black
	Protection class	at the front IP65 standard, back side IP00
	Weight	approx. 250 g
	Connection	plug-in terminal; line cross-section up to 2.5 mm ²
Display	Display	5-digit
	Digit height	14 mm
	Segment colour	red (standard), optional available in green, blue, orange or tricolour (red/green/orange)
	Display range	-19999 to 99999
	Setpoints	optical display flashing
	Overflow	horizontal bars at the top
	Underflow	horizontal bars at the bottom
	Display time	0.1 to 10.0 seconds
Measuring input	Span	-200,0°C...850,0°C / -328,0°F...1562,0°F
	Measuring fault	0.1% of measuring range, ± 1 Digit
	Temperature drift	100 ppm/K
	Measuring time	0.1 ... 10.0 seconds
	Measuring principle	U/F-conversion
	Resolution	0.1°C or 0.1°F
Output	Relay	with change-over contact 250 V / 5 AAC, 30 V / 5 ADC
	Switching cycle	10 * 10 ³ at 5 AAC, 5 ADC ohm resistive burden 10 * 10 ⁶ mechanically Separation in accordance with DIN EN 50178 / Specifications in accordance with DIN EN 60255
Power pack	Analog output	0-10 VDC/ burden ≥ 10 kΩ, 0/4-20 mA burden ≤ 500 Ω, 16 Bit
	Supply	230 VAC 50/60 Hz +/- 10 % (max. 10 VA) 10-30 VDC, galvanic insulated (max. 4 VA)
Memory	EEPROM	Data life ≥ 100 years at 25°C
Ambient conditions	Working temperature	0 to + 60 °C
	Storing temperature	-20 to + 80°C
	Climatic density	relative humidity 0-85% on years average without dew
CE-sign	Conformity to directive 2004/108/EG	
EMV	EN 61326, EN 55011	
Safety standard	According to low voltage directive 2006/95/EG; EN 61010; EN 60664-1	

Housing:



• Order key

	M	2-	1	T	R	5	B.	0	X	0	C.	6	7	0	C	D	
Basic type M-Line																Dimension	
																<input type="checkbox"/> D physical unit	
Installation depth 89 mm (incl. plug-in terminal)																Version	
	<input type="checkbox"/> 2																<input type="checkbox"/> C C
Housing size 96x48x70 mm (BxHxD)																Setpoints	
	<input type="checkbox"/> 1																<input type="checkbox"/> 0 no setpoints
Display type Temperature																<input type="checkbox"/> 2 2 relay outputs	
	<input type="checkbox"/> T																<input type="checkbox"/> 7 IP65 / plug-in terminal
Display colours																Supply voltage	
Blue																<input type="checkbox"/> 4 115 VAC	
Green	<input type="checkbox"/> B																<input type="checkbox"/> 5 230 VAC
Red	<input type="checkbox"/> G																<input type="checkbox"/> 6 10-30 VDC galv. insulated
Red/Green/Orange	<input type="checkbox"/> R																
Orange	<input type="checkbox"/> T																
	<input type="checkbox"/> Y																Measuring input
Number of digits 5-digit																<input type="checkbox"/> C Pt100	
	<input type="checkbox"/> 5																Analog output
Digit height 14 mm																<input type="checkbox"/> 0 without	
	<input type="checkbox"/> B																<input type="checkbox"/> X 0-10 VDC, 0/4-20 mA
Digital input without																Sensor supply	
	<input type="checkbox"/> 0																<input type="checkbox"/> 0 without
																Temperature devices	
																<input type="checkbox"/> 1 Pt100 3-/4-wire	