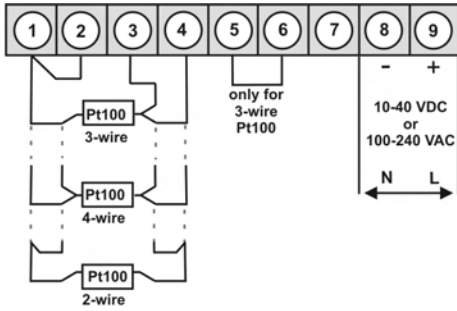




### **M3 – 5-digit digital panel meter 96x48 (BxH) Pt100 3-/4-wire -200.0°C...850.0°C / -328.0°F...1562.0°F**

- red display of -19999...99999 digits (optional green, orange, blue or tricolour display)
- installation depth: 120 mm without plug-in screw terminal
- multi voltage power supply unit 100-240 VAC, alternatively 10-40 VDC
- adjustment via factory setting or directly on the sensor signal
- min-/max-memory with adjustable permanent display
- display flashing at threshold value exceedance / undercut
- flexible alarm system with adjustable delay times
- brightness control via parameter or front keys
- programming interlock via access code
- protection class IP65 at the front
- plug-in screw terminal
- optional: 2 or 4 relay outputs or 8 PhotoMos-outputs
- optional: 1 or 2 independently scalable analog outputs
- optional: interface RS232 or RS485
- accessories: pc-based configuration-kit PM-TOOL with CD & USB adapter
- on demand: devices for working temperatures of -20°C...60°C or -40°C...70°C

• Pt100 3-/4-wire -200.0°C...850.0°C / -328.0°F...1562.0°F

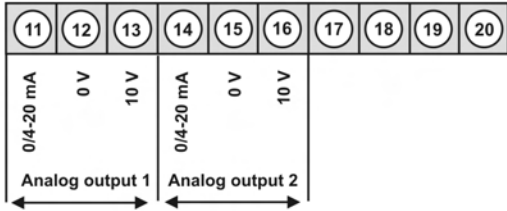


Supply 100-240 VAC, DC ± 10%  
Supply 10-40 VDC, 18-30 VAC

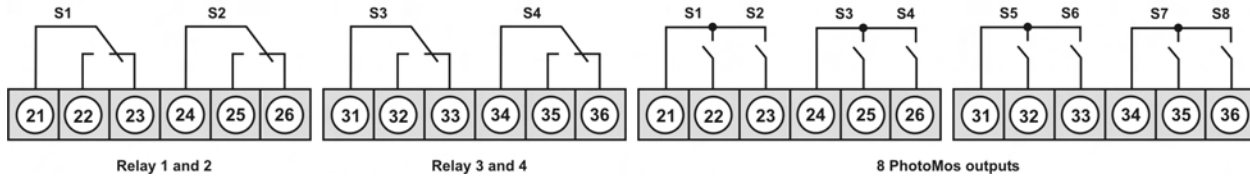
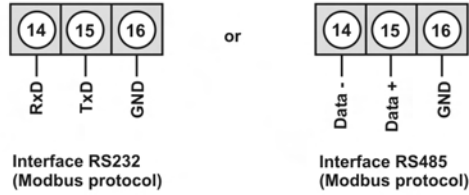
M3-1TR5B.010C.S70BD

M3-1TR5B.010C.W70BD

Options:



alternative to analog output 2



• Order key options

M	3-	1	V	R	5	B.	0	1	0	C.	S	7	0	B	D
M	3-	1	V	R	5	B.	0	1	0	C.	W	7	0	B	D

2	2 relay outputs
4	4 relay outputs
8	8 PhotoMos-outputs
1	without keypad, operation on the back
X	Analog output 0/4-20 mA, 0-10 VDC galv. isolated
Y	2 analog outputs galv. isolated
3	Interface RS232 galv. isolated
4	Interface RS485 galv. isolated
B	Blue
G	Green
Y	Orange
T	Tricolour (Red-Green-Orange)

On demand state dimension unit on order, e.g. °F.

• Parameterisation software

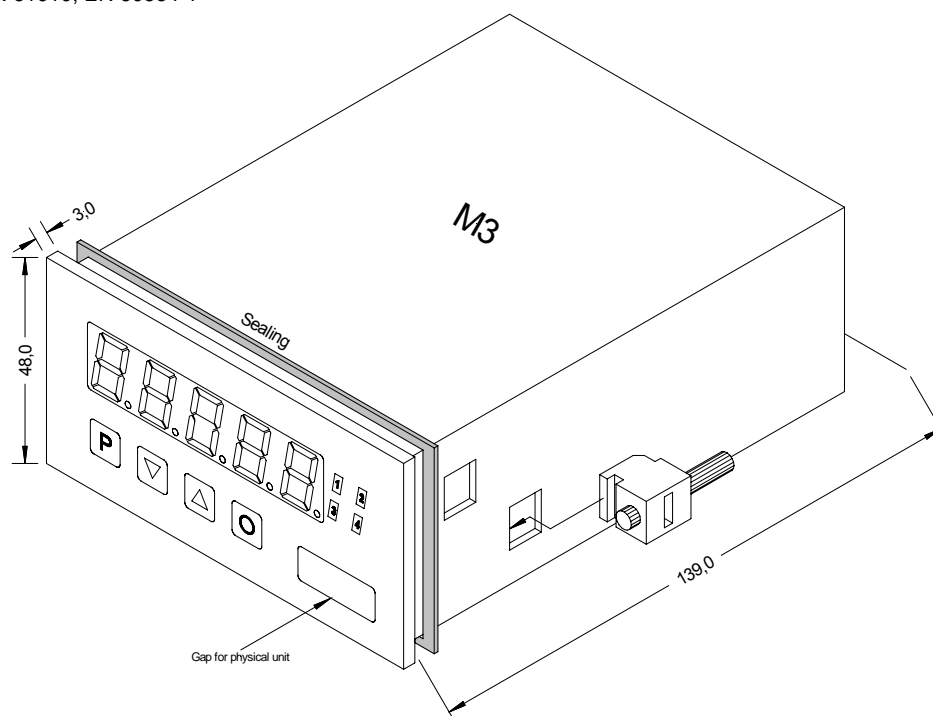
PC based configuration software PM-Tool for devices without keypad, for a simple adjustment of standard devices, incl. CD & USB-adapter. Programming is made via an interface on the back.

PM-TOOL-MUSB4

• **Technical data**

<b>Dimensions</b>	Housing Panel cut-out Fixing Housing material Sealing material Protection type Weight Connection	B96 x H48 x D120 mm, (incl. plug-in terminal D = 139 mm) 92.0 <sup>+0.8</sup> x 45.0 <sup>+0.6</sup> mm screw elements for insulation thickness up to 3 mm PC Polycarbonate, black EPDM, 65 Shore, black front side IP65 standard, back side IP00 approx. 350 g plug-in terminal; line cross-section up to 2.5 mm <sup>2</sup>
<b>Display</b>	Display Digit height Segment colour Range of display Threshold Overflow Underflow Display time	5-digit 14 mm red (standard), optional available in green, blue, orange or tricolour (red/green/orange) -19999 to 99999 optical display flashing horizontal bars at the top horizontal bars at the bottom 0.1 to 10.0 seconds
<b>Measuring input</b>	Measuring range Measuring fault Temperature drift Measuring time Measuring principle Resolution	-200.0...850.0°C / -328.0...1562.0°F 0.1% of measuring range, ± 1 Digit 100 ppm/K 0.1 ... 10.0 seconds U/F-conversion 0.1°C or 0.1°F
<b>Output</b>	Relays Switching cycles PhotoMos output Analog output	with change-over contact 250 V / 5 AAC, 30 V / 5 ADC 10 * 10 <sup>5</sup> at 5 AAC, 5 ADC contact rate, 10 * 10 <sup>6</sup> mechanically Separation in accordance with DIN EN50178 / Specifications in accordance with DIN EN 60255 NOC contacts: 30 VDC/AC, 4 A 0-10 VDC / burden ≥ 10 kΩ, 0/4-20 mA / burden ≤ 500 Ω, 16 Bit
<b>Interface</b>	Protocol RS232 RS485	manufacturer's specifics ASCII 9.600 Baud, no parity, 8 DataBit, 1 StopBit, wire length max. 3 m 9.600 Baud, no parity, 8 DataBit, 1 StopBit, wire length max. 1000 m
<b>Power pack</b>	Supply	100-240 VAC 50/60 Hz ± 10 % (max. 15 VA) 10-40 VDC, galvanic isolated, 18-30 VAC 50/60 Hz (max. 15 VA)
<b>Memory</b>	EEPROM	Data life ≥ 100 years at 25°C
<b>Ambient conditions</b>	Working temperature Storing temperature Climatic density	0 to + 60 °C -20 to + 80 °C relative humidity 0-85% on years average without dew
<b>CE-sign</b>	Conformity to directive 2004/108/EG	
<b>EMV</b>	EN 61326, EN 55011	
<b>Safety standard</b>	according to low voltage directive 2006/95/EG EN 61010; EN 60664-1	

**Housing:**



• Order key

	M	3-	1	T	R	5	B.	0	1	0	C.	W	7	0	B	D
<b>Basic type M-Line</b>																
<b>Installation depth</b> 139 mm (incl. plug-in terminal)																
<b>Housing size</b> 96x48x120 mm (BxHxD)																
<b>Display type</b> Temperature																
<b>Display colours</b> Blue Green Red Red/Green/Orange Orange																
<b>Number of digits</b> 5-digit																
<b>Digit height</b> 14 mm																
<b>Digital input</b> without Interface RS232 Interface RS485																
<b>Dimension</b> D physical unit (at buyer's option)																
<b>Version</b> B																
<b>Swicthing points</b> 0 no switching point 2 2 relay outputs 4 4 relay outputs 8 8 PhotoMos-outputs																
<b>Protection class</b> 1 Without keypad, operation via PM-TOOL 7 IP65 / plug-in terminal																
<b>Voltage supply</b> S 100-240 VAC W 10-40 VDC galv. isolated																
<b>Measuring input</b> C Pt100																
<b>Analog output</b> 0 without X 1x 0-10 VDC, 0/4-20 mA Y 2x 0-10 VDC, 0/4-20 mA																
<b>Temperature device</b> 1 Pt100 3-/4-wire																