


## ● Characteristics

1500 - RTD - THERMOMETER - MODULAR - ECONOMIC

	- Input:	RTD Pt100 (maximum range -50...+200 °C)
	- Output:	Open collector
	- Voltage supply:	24...30 VDC
	- Accuracy:	±0,5 K / ±0,2 K
	- Process connection:	several options
	- Electrical connection:	M12x1, 8-pole
	- Indication:	LED red
	- Temperature range:	-40...+85 °C (ambient)
	- Switch point adjustment:	by magnet
	- Material:	stainless steel 1.4571 (medium contact)
- Protection:	at least IP65	

## ● Technical data

### Input

Sensor:	Type:	RTD Pt100
	Range:	-50...200 °C
	Connection:	3-wire

### Output

Switching transistor:	Type:	NPN (Open collector)
	Voltage:	30 V
	Current:	200 mA maximum

### Performance

Sensor:	RTD Pt100:	Class A
Switching amplifier:	Accuracy:	±0,5 K, with factory configuration only: ±0,2 K
	Switching delay:	0 s (Standard), with factory configuration only: 0...99,9 s
	Hysteresis:	0,1 °C (Standard), with factory configuration only: >0,1 °C
	Switching point:	100 °C (Standard)
	Switch point adjustment:	With magnet (recalibration)
	Turn-on delay time:	<5 s
	Switching cycles:	> 10 millions
Indication:	LED:	Red, 360°
	Transistor conducted:	LED lights
	Transistor disabled:	LED off

### Programmable features

Switching amplifier:	Switch point adjustment via magnet
	Adjustment via software tool (extended possibilities)

## ● Applications

The temperature switch is for use in the whole range of industrial application and is connected e. g. to the digital input of a SPS. With the different types and the very simple in-situ switch point adjustment the temperature switch is also suitable for applications with higher requirements.



## ● *Technical data (continued)*

### Supply

Voltage: 24...30 VDC  
Current consumption: ca. 20 mA maximum  
Reverse battery protection: available (no function, no damage)

### Ambient conditions

Temperature: Operating range: -40...+85 °C (ambient)  
Medium: -50...+200 °C  
Storing: -40...+100 °C  
Condensation: uncritical

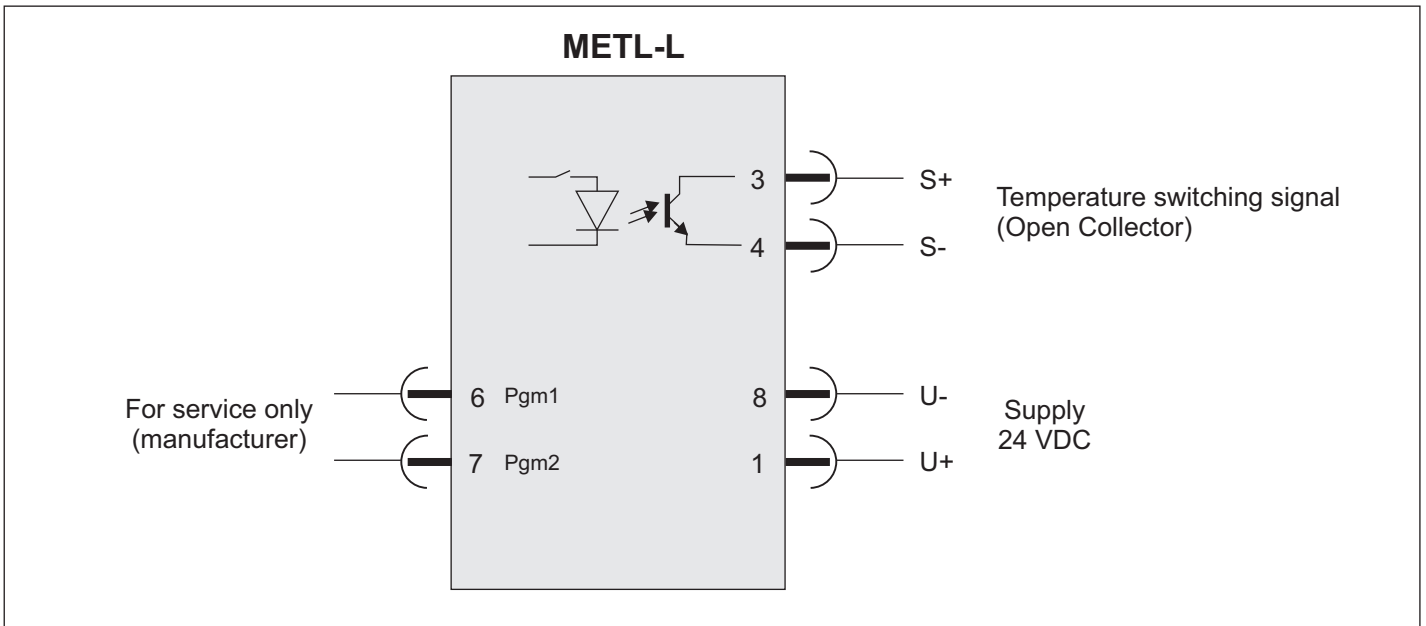
### Mechanics

Dimensions: see page 3  
Process connection: 1/4" / 3/8" / 1/2" / 3/4" / 1" / 1/4NPT / 3/8NPT / 1/2NPT  
Protecting tube: Ø6 mm (standard), 9 mm, other on request  
Extension: 100 mm (option)  
Electrical connection: M12x1, 8-pole  
Material: Protecting tube: stainless steel 1.4571  
Extension: stainless steel 1.4571  
Process connection: stainless steel 1.4571  
Body: PBT GF30  
Cover: PBT GF30  
Lens: PMMA  
Weight: approx. 140 g  
Fitting position: any  
System pressure: PN 25  
Protection of device: Ingress protection: at least IP 65 (electronics)  
PCB: potted

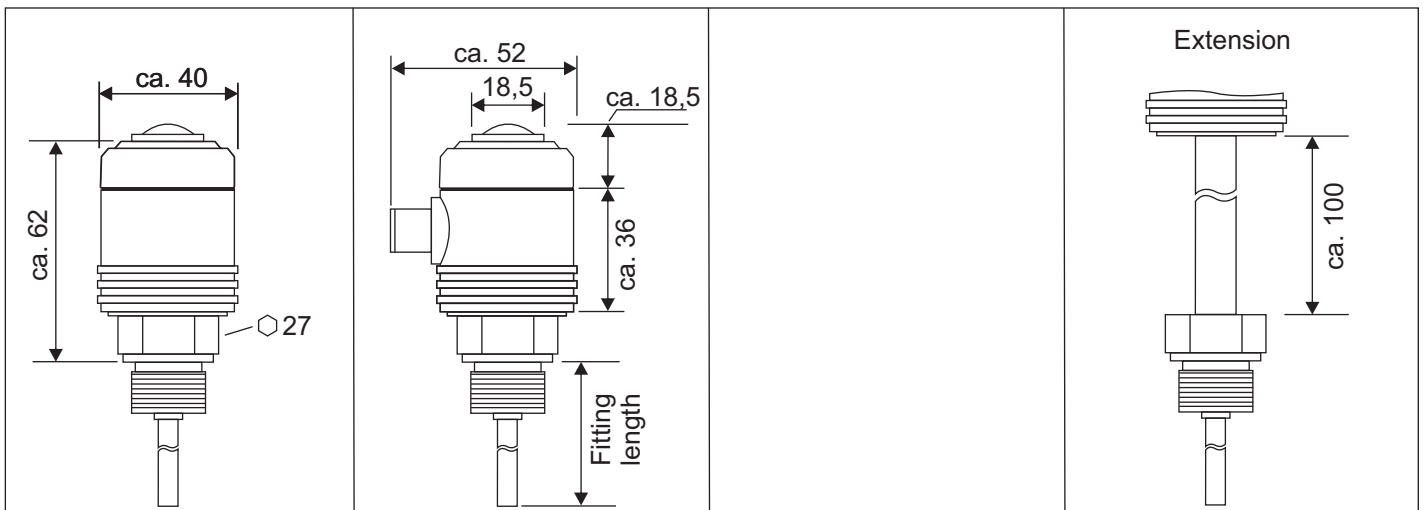
● **Electrical connection**



**Pin assignment**



● **Dimensions (in mm)**



● Order code

N T X X X X - X - X X X X X

<b>Input:</b>	RTD Pt100	1													
<b>Accuracy:</b>	Class A	1													
<b>Connection:</b>	3-wire		2												
<b>Protecting tube:</b> <sup>1)</sup>	Ø6 mm											6			
	Ø9 mm											9			
	Ø6 mm with extension 100 mm											L			
	Ø9 mm with extension 100 mm											O			
<b>Fitting length:</b> <sup>2)</sup>	50 mm														050
	100 mm														100
	200 mm														200
	250 mm														250
	400 mm														400
	600 mm														600
	1000 mm														A00
<b>Process connection:</b>	1/4"														1
	3/8"														2
	1/2"														3
	3/4"														4
	1"														5
	1/4NPT														7
	3/8" NPT														8
	1/2" NPT														9
<b>Electr. connection:</b>	M12, 8-polig														3
															X
<b>Configuration:</b>	Factory configuration <sup>3)</sup>														1
	Customized (to specify) <sup>4)</sup>														2
<b>Special model:</b>	No														0
	Yes (to specify)														1

- 1) Protecting tube: Other diameter on request
- 2) Fitting length: Other fitting lengths on request or see price list
- 3) Factory configuration: Switching point 100 °C, Accuracy ±0,5 K, Hysteresis 0,1 °C, Switching delay 0 s
- 4) Customized configuration: Please specify, for options see technical data