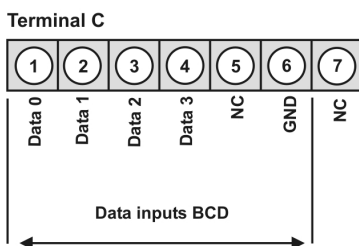
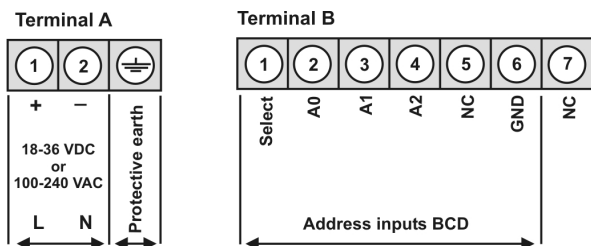


MG – 4-digit large size displays for indoor use BCD address coded

- red display of -999...9999 Digits (optional 3, 5 or 6 digits)
- digit height 57 mm or 100 mm, 200 mm on demand
- Aluminium profile housing, protection class IP65
- built-on devices or panel meter
- 9 free selectable character sets
- programming interlock via code input
- on demand: outdoor devices with ultra-bright LED and heating



Built-on enclosure



Panel housing

Drawing follows

| Supply | Order number (without options) | EUR |
|--------------------|-----------------------------------|-----|
| 57 mm 100-240 VAC | MG-ABR41.B000.S10BD1 | |
| 57 mm 18-36 VDC | MG-ABR41.B000.710BD1 | |
| 100 mm 100-240 VAC | MG-ABR42.B000.S10BD1 | |
| 100 mm 18-36 VDC | MG-ABR42.B000.710BD1 | |
| 57 mm 100-240 VAC | MG-BBR41.B000.S10BD3 | |
| 57 mm 18-36 VDC | MG-BBR41.B000.710BD3 | |
| 100 mm 100-240 VAC | MG-BBR42.B000.S10BD3 | |
| 100 mm 18-36 VDC | MG-BBR42.B000.710BD3 | |

Order key options

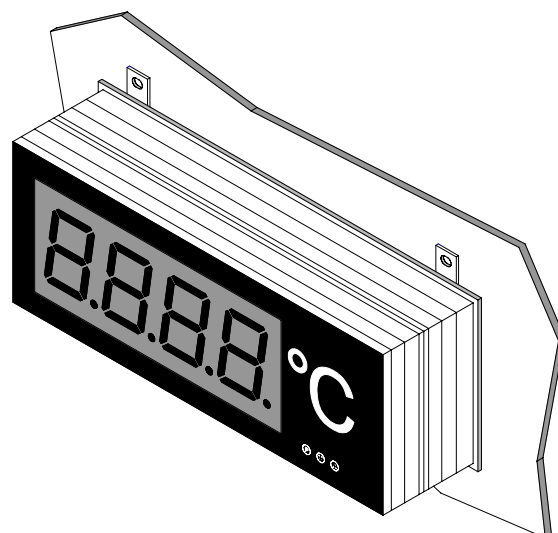
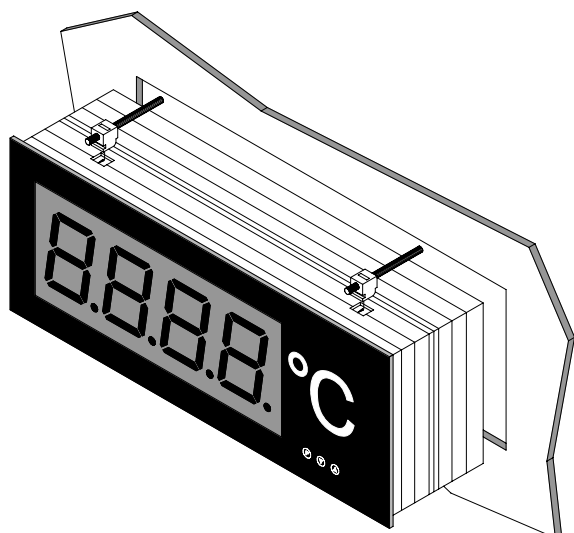
| | | | | | | | | | | | | | | | | | | | |
|---|---|---|---|---|---|---|---|---|---|---|---|---|---|---|---|---|---|---------------------|-------------------------------------|
| M | G | - | A | B | R | 4 | X | B | 0 | 0 | 0 | X | 1 | 0 | B | D | 1 | Built-on enclosures | |
| M | G | - | B | B | R | 4 | X | B | 0 | 0 | 0 | X | 1 | 0 | B | D | 3 | Panel housing | EUR |
| | | | | | | | | | | | | | | | | | | 5 | 200 mm LED |
| | | | | | | | | | | | | | | | | | | X | Number of digits: 3, 5, or 6 digits |
| | | | | | | | | | | | | | | | | | | G | Green LED |
| | | | | | | | | | | | | | | | | | | X | Further device types |

State physical unit by order on demand, e.g. kg.

• Technical data

| | | |
|---------------------------|--|--|
| Dimensions | Built-on enclosure | 57 mm display: 316 mm x 124 mm x 82 mm (WxHxD) 100 mm display: 526 mm x 176 mm x 82 mm (WxHxD) |
| | Fixing | via fixing flange at the back |
| | Housing material Protection | Aluminium, black, powder-coated IP65 |
| Connection | Type of plug | circular plug-in connector Binder-Series 693 |
| | Cable admission | PG9 (6.0 ... 9.5 mm) |
| | Protection class | IP65 |
| | Mechanic durability | > 500 contact durability |
| | Connection type | screws |
| Terminal A | Number of poles | 3 + PE |
| | Cable cross section | 0.5...2.5 mm (AWG 20...14) |
| | Rating voltage | 400 V |
| | Rating current | 12 A |
| Terminal B & C | Number of poles | 7 |
| | Cable cross section | 0.34...1.5 mm (AWG 22...16) |
| | Rating voltage | 250 V |
| | Rating current | 8 A |
| Dimensions | Panel housing | 57 mm display: W 316 mm x H 124 mm x D 104 mm 100 mm display: W 526 mm x H 176 mm x D 104 mm |
| | Panel cut-out | 57 mm display: W 310.0 x H 118.0 ^{+/-0.5} mm 100 mm display: W 520.0 x H 176.0 ^{+/-0.5} mm |
| | Fixing | Screw-/clamp fixing |
| | Housing material | Aluminium, black, powder-coated |
| | Protection | Front IP65, Connection IP00 |
| Connection | Terminal type | 15-pole removable screw clamp for in- and outputs for conductor diameter up to 1.5 mm ² |
| Weight | 57 mm display | approx. 3.0 kg |
| | 100 mm display | approx. 5.0 kg |
| Display | Display | 7-segment LED |
| | Digit height | 57 mm, 100 mm |
| | Segment colour | red |
| | Number of digits | 4 digits |
| | Display range | depends on sets of characters |
| | Area | Indoor |
| Interface | BCD | HIGH/LOW $\geq 4,5$ V / $\leq 2,4$ V |
| Memory | EEPROM | Data life > 20 years |
| Output | Sensor supply | 24 VDC / 50 mA |
| | Relay | With change-over contact 259 V / 5 AAC / 5 AAC, 30 V / 5 ADC |
| | Switching cycles | 30*10 ³ at 5 AAC, 5 ADC ohm resistive burden, 10*10 ⁶ mechanically Division according to DIN EN50178 / Characteristics according to DIN EN60255 |
| Power unit | Power supply | 100-240 VAC nominal voltage $\pm 10\%$, 50/60 Hz 18-36 VDC, galv. isolated |
| | Power consumption | max. 30 VA |
| Ambient conditions | Working temperature | 0...60°C |
| | Storing temperature | -20...80°C |
| | Climatic resistance | rel. humidity ≤ 75 % on year average without dew |
| EMV | EN 61326 | |
| CE-sign | Conformity to 89/336/EWG | |
| Safety standard | according to low voltage directive 2006/95/EG; EN61010; EN 60664-1 | |

- Assembly picture for panel and built-on enclosure



- Dimensions

57 mm display

| Number of digits | Length L | Length LA | Height H | Height HA |
|------------------------|----------|-----------|----------|-----------|
| 3-digit with dimension | 268 mm | 262 mm | 124 mm | 118 mm |
| 4-digit with dimension | 316 mm | 310 mm | | |
| 5-digit with dimension | 364 mm | 358 mm | | |
| 6-digit with dimension | 412 mm | 406 mm | | |

100 mm display

| Number of digits | Length L | Length LA | Height H | Height HA |
|------------------------|----------|-----------|----------|-----------|
| 3-digit with dimension | 436 mm | 430 mm | 176 mm | 170 mm |
| 4-digit with dimension | 526 mm | 520 mm | | |
| 5-digit with dimension | 616 mm | 610 mm | | |
| 6-digit with dimension | 706 mm | 700 mm | | |

