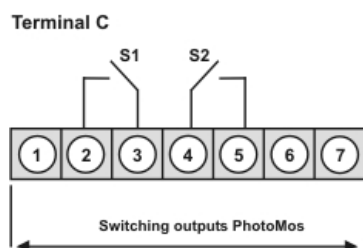
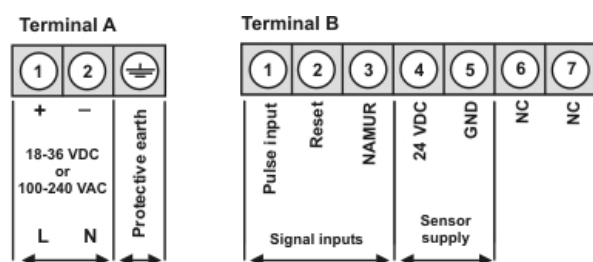


MG – 4-digit large size displays for indoor use Counter

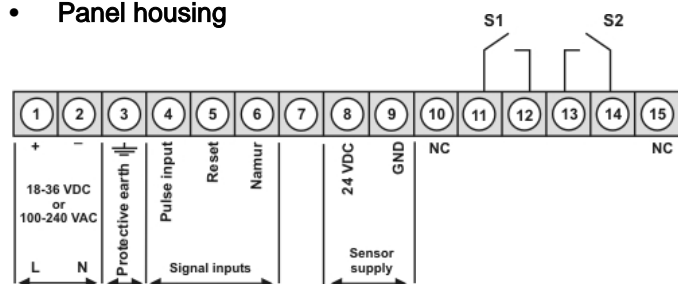
- red display of 0...9999 Digits (optional 5-8 digits)
- digit height 57 mm or 100 mm, 200 mm on demand
- Aluminium profile housing, protection class IP65
- built-on devices or panel meter
- pulse counter with display factor and reset
- timer with start-/stop-/reset-function
- timer increments of 10ms up to 999999s adjustable
- counter value storage in case of power failure and malfunction
- adjustable forwards and backwards counting with initial value
- adjustable rising edge detection
- adjustable pulse attenuation to 30Hz, normally 10kHz
- input for Namur- and 3-wire-sensors
- switching contacts onto adjustable threshold values or pulse parts
- on demand: outdoor devices with ultra-bright LED and heating



Built-on enclosure



Panel housing



	Supply	Order number (without options)	EUR
57 mm	100-240 VAC	MG-ACR41.0303.S12BD1	
57 mm	18-36 VDC	MG-ACR41.0303.712BD1	
100 mm	100-240 VAC	MG-ACR42.0303.S12BD1	
100 mm	18-36 VDC	MG-ACR42.0303.712BD1	

57 mm	100-240 VAC	MG-BCR41.0303.S12BD3	
57 mm	18-36 VDC	MG-BCR41.0303.712BD3	
100 mm	100-240 VAC	MG-BCR42.0303.S12BD3	
100 mm	18-36 VDC	MG-BCR42.0303.712BD3	

Order key options

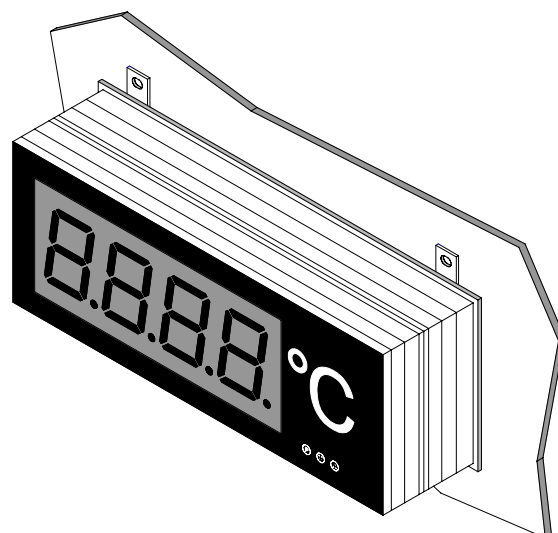
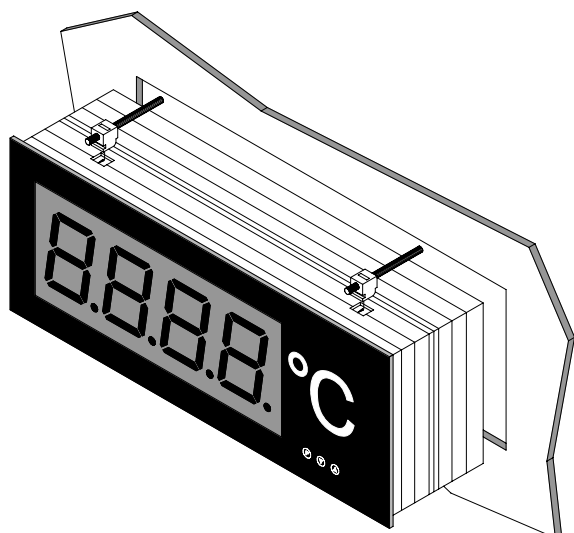
M	G	-	A	C	R	4	X	0	3	0	3	X	1	2	B	D	1	Built-on enclosure	
M	G	-	B	C	R	4	X	0	3	0	3	X	1	2	B	D	3	Panel housing	EUR
																		5	200 mm LED
																		X	Number of digits: 5-8 digits
																		G	Green LED
																		X	Further device types

State physical unit by order on demand, e.g. kg.

• Technical data

Dimensions	Built-on housing	57 mm display: 316 mm x 124 mm x 82 mm (WxHxD) 100 mm display: 526 mm x 176 mm x 82 mm (WxHxD)
	Fixing	via fixing flange at the back
	Housing material Protection	Aluminium, black, powder-coated IP65
Connection	Type of plug	circular plug-in connector Binder-Series 693
	Cable admission	PG9 (6.0 ... 9.5 mm)
	Protection class	IP65
	Mechanic durability Connection type	> 500 contact durability screws
Terminal A	Number of poles	3 + PE
	Cable cross section	0.5...2.5 mm (AWG 20...14)
	Rating voltage	400 V
	Rating current	12 A
Terminal B & C	Number of poles	7
	Cable cross section	0.34...1.5 mm (AWG 22...16)
	Rating voltage	250 V
	Rating current	8 A
Dimensions	Panel housing	57 mm display: W 316 mm x H 124 mm x D 104 mm 100 mm display: W 526 mm x H 176 mm x D 104 mm
	Panel cut-out	57 mm display: W 310.0 x H 118.0 ^{+/-0.5} mm 100 mm display: W 520.0 x H 176.0 ^{+/-0.5} mm
	Fixing	screw-/clamp fixing
	Housing material Protection	Aluminium, black, powder-coated Front IP65, Connection IP00
Connection	Terminal type	15-pole removable screw clamp for in- and outputs for conductor diameter up to 1.5 mm ²
Weight	57 mm display	approx. 3.0 kg
	100 mm display	approx. 5.0 kg
Display	Display	7-segment LED
	Digit height	57 mm, 100 mm
	Segment colour	red
	Number of digits	4 digits
	Display range	-999...9999
	Overflow	indication of horizontal bars at the top
	Underflow	indication of horizontal at the bottom
	Display time Area	0.1...10.0 seconds Indoor
Input	Pulse rate	10.000 pulses/s max 30 pulses at active attenuation
	Input resistance	approx. 5 kOhm
	Input voltage	± 5...24 V
	HIGH-/LOW-level	≥ 6V / <4V
Output	Sensor supply	24 VDC/50 mA galv. isolated
	Switching points (closer)	30 VAC/0.4 A-30 VDC/0,4A
	PhotoMos	Input/Output dielectric strength
Memory	EEPROM	Data life > 20 years
Power unit	Power supply	100-240 VAC nominal voltage ±10%, 50/60 Hz 18-36 VDC, galv. isolated
	Power consumption	max. 30 VA
Ambient conditions	Working temperature	0...60°C
	Storing temperature	-20...80°C
	Climatic resistance	rel. humidity ≤ 75 % on year average without dew
EMV	EN 61326	
CE-sign	conformity to 89/336/EWG	
Safety standard	according to low voltage directive 2006/95/EG; EN61010; EN 60664-1	

- Assembly picture for panel and built-on enclosures



- Dimensions

57 mm display

Number of digits	Length L	Length LA	Height H	Height HA
3-digit with dimension	268mm	262mm	124mm	118mm
4-digit with dimension	316mm	310mm		
5-digit with dimension	364mm	358mm		
6-digit with dimension	412mm	406mm		
7-digit with dimension	460mm	454mm		

100 mm display

Number of digits	Length L	Length LA	Height H	Height HA
3-digit with dimension	436mm	430mm	176mm	170mm
4-digit with dimension	526mm	520mm		
5-digit with dimension	616mm	610mm		
6-digit with dimension	706mm	700mm		
7-digit with dimension	796mm	790mm		

