

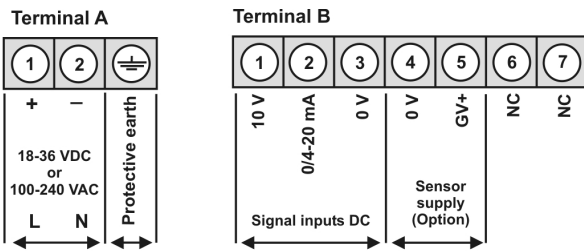
MG – 4-digit large size displays for indoor use

Standard signals 0/4-20 mA, 0-10 VDC

- red display of -999...9999 Digits
(optional 5 digits, or 6 digits with rounding function)
- digit height 57 mm or 100 mm, 200 mm on demand
- Aluminium profile housing, protection class IP65
- built-on devices or panel meter
- display adjustment via factory setting or directly on the sensor signal
- min/max-memory
- 30 additional adjustable supporting points
- display flashing at threshold value exceedance / undercut
- rounding function for display slowdown
- zero point suppression
- programming interlock via code input
- on demand: outdoor devices with ultra-bright LED and heating



Build-up housing



Order number

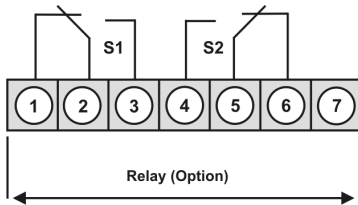
EUR

Supply

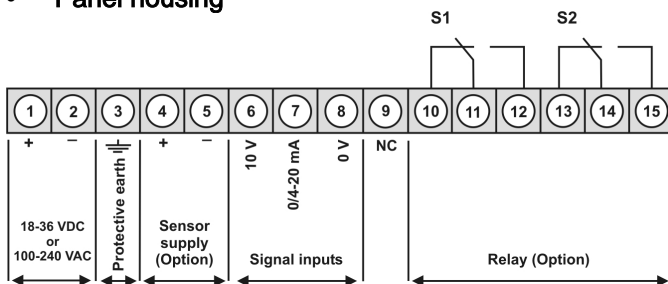
(without options)

57 mm	100-240 VAC	MG-AVR41.0001.S10BD1
57 mm	18-36 VDC	MG-AVR41.0001.710BD1
100 mm	100-240 VAC	MG-AVR42.0001.S10BD1
100 mm	18-36 VDC	MG-AVR42.0001.710BD1

Terminal C



Panel housing



57 mm	100-240 VAC	MG-BVR41.0001.S10BD3
57 mm	18-36 VDC	MG-BVR41.0001.710BD3
100 mm	100-240 VAC	MG-BVR42.0001.S10BD3
100 mm	18-36 VDC	MG-BVR42.0001.710BD3

Order key options

M	G	-	A	V	R	4	X.	0	0	0	1.	X	1	0	B	D	1	Built-on enclosure	
M	G	-	B	V	R	4	X.	0	0	0	1.	X	1	0	B	D	3	Panel housing	
																		2	2 relay outputs
																		3	Sensor supply 24 VDC / 50 mA
																		5	200 mm LED
																		X	Number of digits
																		G	Green LED
																		X	Further device types

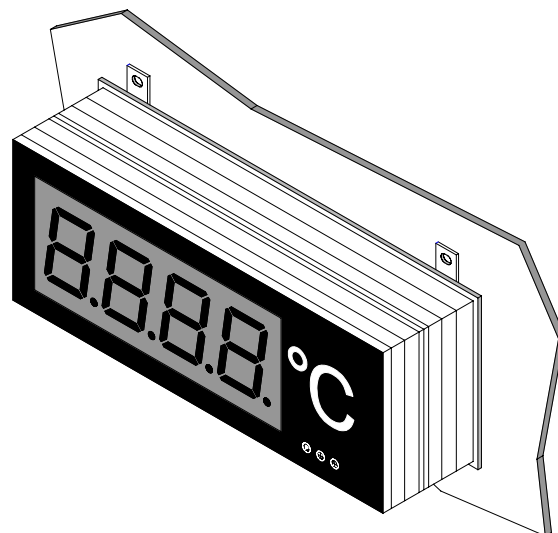
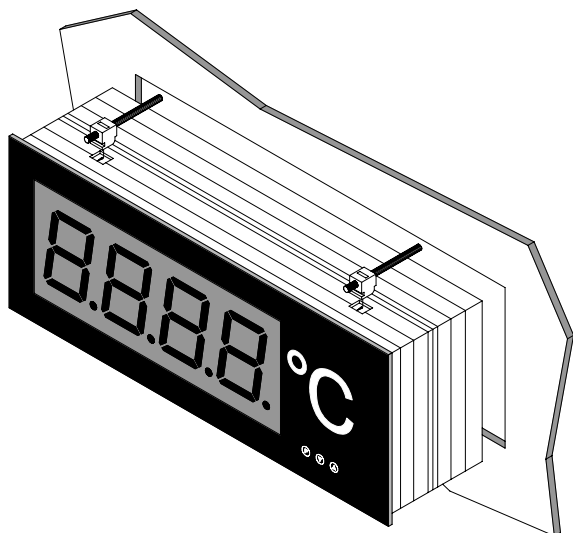
EUR

State physical unit by order on demand, e.g. kg.

• Technical data

Dimensions	Built-on enclosure	57 mm display: 316 mm x 124 mm x 82 mm (WxHxD) 100 mm display: 526 mm x 176 mm x 82 mm (WxHxD)		
	Fixing	via fixing flange at the back		
	Housing material Protection	Aluminium, black, powder-coated IP65		
Connection	Type of plug	circular plug-in connector Binder-Series 693		
	Cable admission	PG9 (6.0 ... 9.5 mm)		
	Protection class	IP65		
	Mechanic durability	> 500 contact durability		
	Connection type	screws		
Terminal A	Number of poles	3 + PE		
	Cable cross section	0.5...2.5 mm (AWG 20...14)		
	Rating voltage	400 V		
	Rating current	12 A		
Terminal B & C	Number of poles	7		
	Cable cross section	0.34...1.5 mm (AWG 22...16)		
	Rating voltage	250 V		
	Rating current	8 A		
Dimensions	Panel housing	57 mm display: W 316 mm x H 124 mm x D 104 mm 100 mm display: W 526 mm x H 176 mm x D 104 mm		
	Panel cut-out	57 mm display: W 310.0 x H 118.0 ^{+/-0.5} mm 100 mm display: W 520.0 x H 176.0 ^{+/-0.5} mm		
	Fixing	Screw-/clamp fixing		
	Housing material	Aluminium, black, powder-coated		
	Protection	Front IP65, Connection IP00		
Connection	Terminal type	15-pole removable screw clamp for inputs and outputs for conductor diameter up to 1.5 mm ²		
Weight	57 mm display	approx. 3.0 kg		
	100 mm display	approx. 5.0 kg		
Display	Display	7-segment LED		
	Digit height	57 mm, 100 mm		
	Segment colour	red		
	Number of digits	4 digits		
	Display range	-999...9999		
	Overflow	Indication of horizontal bars at the top		
	Underflow	Indication of horizontal at the bottom		
	Display time	0.1...10.0 seconds		
	Area	Indoor		
Measuring input	Measuring range	R _i approx.	Measuring error	Digit
	0...10 V	150 kΩ	0.1 [%] MR	± 1
	0...5 V	150 kΩ	0.1	± 1
	0...20 mA	100 Ω	0.1	± 1
	4...20 mA	100 Ω	0.1	± 1
	Temperature drift	all measuring inputs ~ 50 ppm/K		
	Measuring-/ display time	0.01...10.0 seconds		
	Measuring principle	Voltage-/frequency converter		
Resolution	approx. 20 bit (at 1 second measuring time)			
Memory	EEPROM	Data life > 20 years		
Output	Sensor supply	24 VDC / 50 mA		
	Relay	With change-over contact 259 V / 5 AAC / 5 AAC, 30 V / 5 ADC		
	Switching cycles	30*10 ³ at 5 AAC, 5 ADC ohm resistive burden, 10*10 ⁶ mechanically Division according to DIN EN50178 / Characteristics according to DIN EN60255		
Power unit	Power supply	100-240 VAC nominal voltage ± 10%, 50/60 Hz 18-36 VDC, galv. isolated		
	Power consumption	max. 30 VA		
Ambient conditions	Working temperature	0...60°C		
	Storing temperature	-20...80°C		
	Climatic resistance	rel. humidity ≤ 75 % on year average without dew		
EMV	EN 61326			
CE-sign	conformity to 89/336/EWG			
Safety standard	according to low voltage directive 2006/95/EG; EN61010; EN 60664-1			

- Assembly picture for panel and built-on enclosure



- Dimensions

57 mm display

Number of digits	Length L	Length LA	Height H	Height HA
3-digit with dimension	268 mm	262 mm	124 mm	118 mm
4-digit with dimension	316 mm	310 mm		
5-digit with dimension	364 mm	358 mm		
6-digit with dimension	412 mm	406 mm		
7-digit with dimension	460 mm	454 mm		

100 mm display

Number of digits	Length L	Length LA	Height H	Height HA
3-digit with dimension	268 mm	262 mm	176 mm	170 mm
4-digit with dimension	526 mm	520 mm		
5-digit with dimension	616 mm	610 mm		
6-digit with dimension	706 mm	700 mm		
7-digit with dimension	796 mm	790 mm		

- Order code

		M	G	A	V	R	4	1	0	0	0	1	7	1	0	B	D	1
Standard type M-line																		
Large size display - indoor																		
Housing designs																		
Built-on enclosure	A																	
Panel housing	B																	
Suspendend/onesided	C																	
Suspendend/double-sided	D																	
Upright	E																	
Portable	T																	
Stainless steel housing	V																	
		} on demand																
Display type																		
Standard signal	V																	
Display colour																		
green LED	G																	
red LED	R																	
Number of digits																		
3-digit	3	only with funktion reduction																
4-digit	4																	
5-digit	5																	
6-digit	6																	
8-digit	8	} only with rounding function																
Digit height																		
57 mm LED	1																	
100 mm LED	2																	
200 mm LED	5																	
Interfaces																		
none	0																	
Connection																		
	1	Rear side																
	2	Surface																
	3	Back side																
Dimension																		
	0	without																
	D	simple labelling field (7 characters)																
	Z	double labelling field																
Version																		
	B	Version B																
Setpoints																		
	0	no setpoints																
	2	2 setpoints																
Protection class																		
	1	IP65																
Voltage supply																		
	5	18-36 VDC																
	S	100-240 VAC																
Measuring input																		
	1	Direct current / Direct voltage																
Analog output																		
	0	without																
Sensor supply																		
	0	without																
	3	24 VDC / 50 mA																