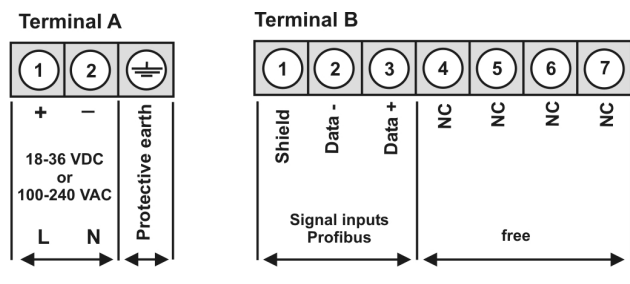


MG – 4-digit large size displays for indoor use Profibus DP

- red display of -999...9999 Digits (optional 5-8 digits)
- digit height 57 mm, 100 mm, 200 mm on demand
- Aluminium profile housing, protection class IP65
- built-on devices or panel meter
- programming interlock via code input
- on demand: outdoor devices with ultra-bright LED and heating

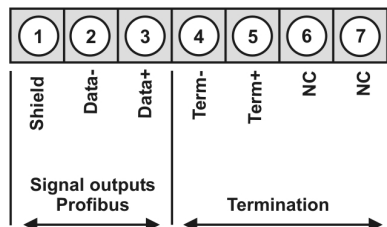


Built-on enclosure



Supply	Order number (without options)	EUR
57 mm 100-240 VAC	MG-ABR41.9000.S10BD1	
57 mm 18-36 VDC	MG-ABR41.9000.710BD1	
100 mm 100-240 VAC	MG-ABR42.9000.S10BD1	
100 mm 18-36 VDC	MG-ABR42.9000.710BD1	

Terminal C (Termination or data output)



Panel housing

Drawing follows

57 mm	100-240 VAC	MG-BBR41.9000.S10BD3
57 mm	18-36 VDC	MG-BBR41.9000.710BD3
100 mm	100-240 VAC	MG-BBR42.9000.S10BD3
100 mm	18-36 VDC	MG-BBR42.9000.710BD3

Order key options

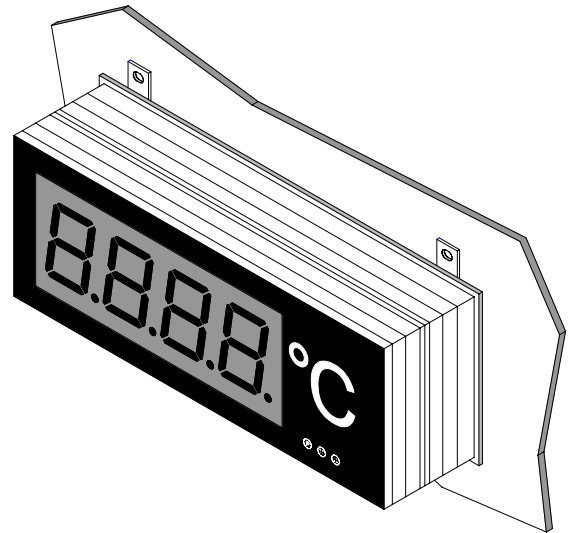
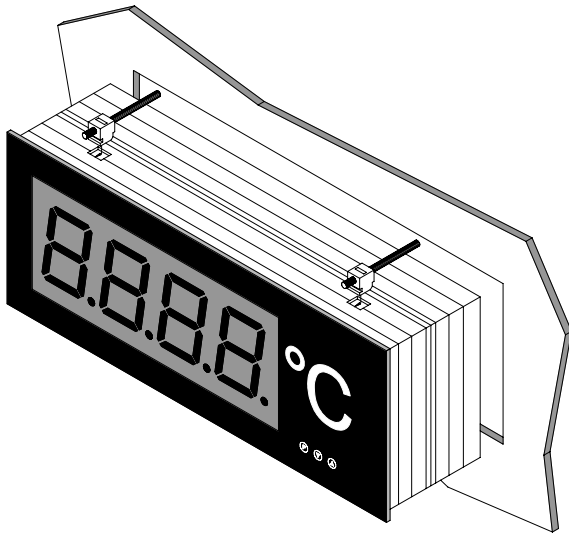
M	G	-	A	B	R	4	X	9	0	0	0	X	1	0	B	D	1	Built-on enclosure	
M	G	-	B	B	R	4	X	9	0	0	0	X	1	0	B	D	3	Panel housing	EUR
																		5	200 mm LED
																		X	Number of digits: 5-8 digits
																		G	Green LED
																		X	Further device types

State physical unit by order on demand, e.g. kg.

• Technical data

Dimensions	Built-on enclosure	57 mm display: 316 mm x 124 mm x 82 mm (WxHxD) 100 mm display: 526 mm x 176 mm x 82 mm (WxHxD)
	Fixing	via fixing flange at the back
	Housing material Protection	Aluminium, black, powder-coated IP65
Connection	Type of plug	circular plug-in connector Binder-Series 693
	Cable admission	PG9 (6.0 ... 9.5 mm)
	Protection class	IP65
	Mechanic durability	> 500 contact durability
	Connection type	screws
Terminal A	Number of poles	3 + PE
	Cable cross section	0.5...2.5 mm (AWG 20...14)
	Rating voltage	400 V
	Rating current	12 A
Terminal B & C	Number of poles	7
	Cable cross section	0.34...1.5 mm (AWG 22...16)
	Rating voltage	250 V
	Rating current	8 A
Dimensions	Panel housing	57 mm display: W 316 mm x H 124 mm x D 104 mm 100 mm display: W 526 mm x H 176 mm x D 104 mm
	Panel cut-out	57 mm display: W 310.0 x H 118.0 ^{+/-0.5} mm 100 mm display: W 520.0 x H 176.0 ^{+/-0.5} mm
	Fixing	Screw-/clamp fixing
	Housing material	Aluminium, black, powder-coated
	Protection	Front IP65, Connection IP00
Connection	Terminal type	15-pole removable screw clamp for in- and outputs for conductor diameter up to 1.5 mm ²
Weight	57 mm display	approx. 3.0 kg
	100 mm display	approx. 5.0 kg
Display	Display	7-segment LED
	Digit height	57 mm, 100 mm
	Segment colour	red
	Number of digits	4 digits
	Area	Indoor
Profibus	Protocol	Profibus DP
	Baud rate	autobaud recognition up to 12 MBaud
	Interfaces	RS485
	Cable length	max. 1000m
	Bus termination	Pull-up/Pull-down regarding to EN50170
	Termination	activatable via connection terminals
Memory	EEPROM	Data life > 20 years
Power unit	Power supply	100-240 VAC nominal voltage $\pm 10\%$, 50/60 Hz 18-36 VDC, galv. isolated
	Power consumption	max. 30 VA
Ambient conditions	Working temperature	0...60°C
	Storing temperature	-20...80°C
	Climatic resistance	rel. humidity $\leq 75\%$ on year average without dew
EMV	EN 61326	
CE-sign	conformity to 89/336/EWG	
Safety standard	according to low voltage directive 2006/95/EG; EN61010; EN 60664-1	

- Assembly picture for panel and built-on enclosure



- Dimensions

57 mm display

Number of digits	Length L	Length LA	Height H	Height HA
4-digit with dimension	316 mm	310 mm	124 mm	118 mm
5-digit with dimension	364 mm	358 mm		
6-digit with dimension	412 mm	406 mm		
7-digit with dimension	460 mm	454 mm		

100 mm display

Number of digits	Length L	Length LA	Height H	Height HA
4-digit with dimension	526 mm	520 mm	176 mm	170 mm
5-digit with dimension	616 mm	610 mm		
6-digit with dimension	706 mm	700 mm		
7-digit with dimension	796 mm	790 mm		

• Order code

	M	G-	A	B	R	4	2.	9	0	0	0.	7	1	0	B	D	1
Standard type M-line																	
Large size display - indoor																	
Housing designs																	
Built-on enclosure	A																
Panel housing	B																
Suspendend/onesided	C																
Suspendend/double-sided	D																
Upright	E																
Portable	T																
Stainless steel housing	V																
Display type																	
Binary	B																
Display colour																	
green LED	G																
red LED	R																
Number of digits																	
4-digit	4																
5-digit	5																
6-digit	6																
8-digit	8																
Digit height																	
57 mm LED	1																
100 mm LED	2																
200 mm LED	5																
Interfaces																	
Profibus DP	9																

Connection	
1	Rear side
2	Surface
3	Back side
Dimension	
0	without
D	simple labelling field (5 characters)
Z	double labelling field
Version	
B	Version B
Setpoints	
0	no setpoints
Protection class	
1	IP65
Voltage supply	
5	18-36 VDC
S	100-240 VAC
Measuring input	
0	without
Analog output	
0	without
Sensor supply	
0	without

} on demand