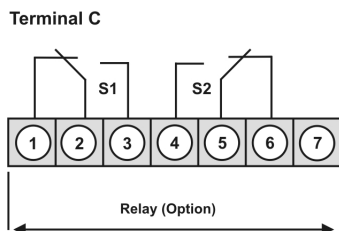
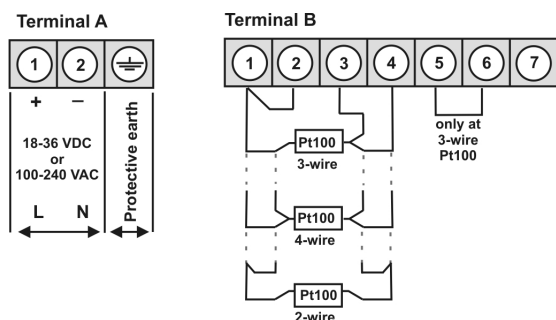


MG – 4-digit large size displays for indoor use Pt100, 2-/3-/4-wire -99.9°C...850°C

- red display of -999...9999 Digits (optional 3 digits)
- digit height 57 mm or 100 mm, 200 mm on demand
- Aluminium profile housing, protection class IP65
- built-on devices or panel meter
- display adjustment via factory setting or directly on the sensor signal
- min/max-memory
- 10 additional adjustable supporting points
- display flashing at threshold value exceedance / undercut
- rounding function for display slowdown
- wire and sensor adjustment
- programming interlock via code input
- on demand: outdoor devices with ultra-bright LED and heating

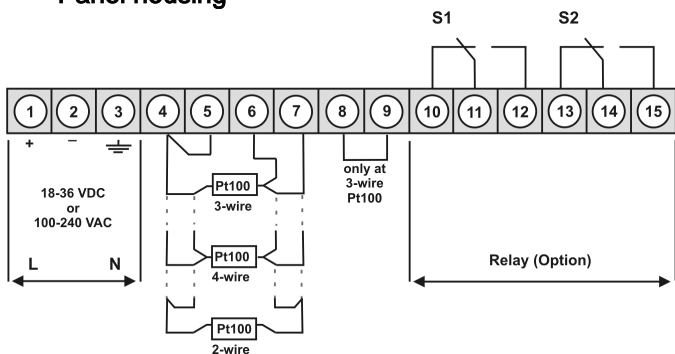


Built-on enclosure



Supply	Order number (without options)	EUR
57 mm 100-240 VAC	MG-ATR41.000C.S10BD1	
57 mm 18-36 VDC	MG-ATR41.000C.710BD1	
100 mm 100-240 VAC	MG-ATR42.000C.S10BD1	
100 mm 18-36 VDC	MG-ATR42.000C.710BD1	

Panel housing



57 mm 100-240 VAC	MG-BTR41.000C.S10BD3
57 mm 18-36 VDC	MG-BTR41.000C.710BD3
100 mm 100-240 VAC	MG-BTR42.000C.S10BD3
100 mm 18-36 VDC	MG-BTR42.000C.710BD3

Order key options

M	G	-	A	T	R	4	X	0	0	0	C	X	1	0	B	D	1	Built-on enclosure	
M	G	-	B	T	R	4	X	0	0	0	C	X	1	0	B	D	3	Panel housing	
																		2	Relay outputs
																		5	200 mm LED
																		3	Number of digits: 3-digits
																		G	Green LED
																		X	Further device types

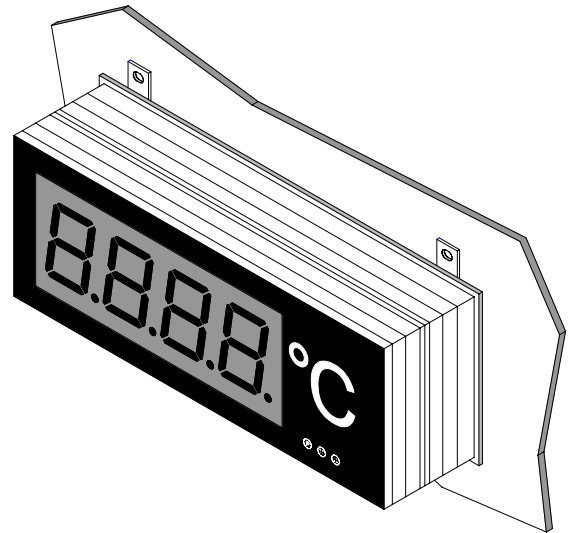
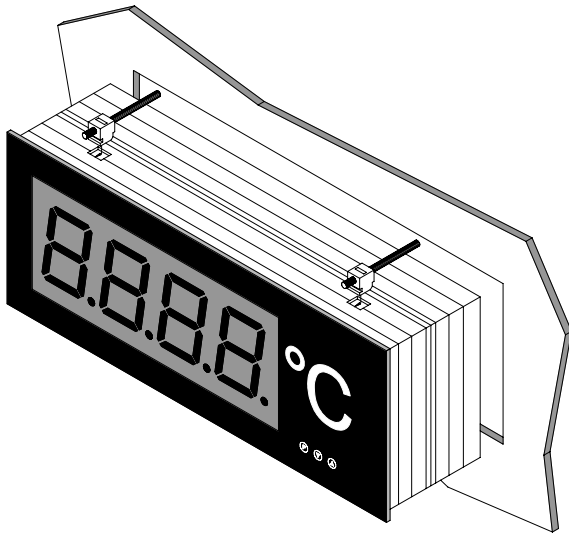
EUR

State physical unit by order on demand, e.g. °C.

• Technical data

Dimensions	Built-on enclosure	57 mm display: 316 mm x 124 mm x 82 mm (WxHxD) 100 mm display: 526 mm x 176 mm x 82 mm (WxHxD)
	Fixing	via fixing flange at the back
	Housing material Protection	Aluminium, black, powder-coated IP65
Connection	Type of plug	circular plug-in connector Binder-Series 693
	Cable admission	PG9 (6.0 ... 9.5 mm)
	Protection class	IP65
	Mechanic durability	> 500 contact durability
	Connection type	screws
Terminal A	Number of poles	3 + PE
	Cable cross section	0.5...2.5 mm (AWG 20...14)
	Rating voltage	400 V
	Rating current	12 A
Terminal B & C	Number of poles	7
	Cable cross section	0.34...1.5 mm (AWG 22...16)
	Rating voltage	250 V
	Rating current	8 A
Dimensions	Panel housing	57 mm display: W 316 mm x H 124 mm x D 104 mm 100 mm display: W 526 mm x H 176 mm x D 104 mm
	Panel cut-out	57 mm display: W 310.0 x H 118.0 ^{+/-0.5} mm 100 mm display: W 520.0 x H 176.0 ^{+/-0.5} mm
	Fixing	screw-/clamp fixing
	Housing material	Aluminium, black, powder-coated
	Protection	front side IP65, connection IP00
Connection	Terminal type	15-pole removable screw clamp for in- and outputs for conductor diameter up to 1.5 mm ²
Weight	57 mm display	approx. 3.0 kg
	100 mm display	approx. 5.0 kg
Display	Display	7-segment LED
	Digit height	57 mm, 100 mm
	Segment colour	red
	Number of digits	4 digits
	Display range	-999...9999
	Overflow	Indication of horizontal bars at the top
	Underflow	Indication of horizontal at the bottom
	Display time	0.1...10.0 seconds
	Area	Indoor
Measuring input	Measuring range	-99.9°C...850°C
	Measuring cycle	max. 10 measurements/second
	Wire resistance	≤ 500Ω per wire
	Resolution	approx. 20 bit at 1 second measuring time
	Meas. error 850°C	±0.1% of final value; ±3 Digit equates max. 1K
	Accuracy	temperature coefficient ~ 130 ppm/K Measuring principle: voltage/frequency converter
Memory	EEPROM	Data life > 20 years
Output	Relay	With change-over contact 259 V / 5 AAC / 5 AAC, 30 V / 5 ADC
	Switching cycles	30*10 ³ at 5 AAC, 5 ADC ohm resistive burden, 10*10 ⁶ mechanically Division according to DIN EN50178 / Characteristics according to DIN EN60255
Power unit	Power supply	100-240 VAC nominal voltage ±10%, 50/60 Hz 18-36 VDC, galv. isolated
	Power consumption	max. 30 VA
Ambient conditions	Working temperature	0...60°C
	Storing temperature	-20...80°C
	Climatic resistance	rel. humidity ≤ 75 % on year average without dew
EMV	EN 61326	
CE-sign	conformity to 89/336/EWG	
Safety standard	according to low voltage directive 2006/95/EG; EN61010; EN 60664-1	

- Assembly picture for panel and built-on enclosure



- Dimensions

57 mm display

Number of digits	Length L	Length LA	Height H	Height HA
3-digit with dimension	268 mm	262 mm	124 mm	118 mm
4-digit with dimension	316 mm	310 mm		

100 mm display

Number of digits	Length L	Length LA	Height H	Height HA
3-digit with dimension	436 mm	430 mm	176 mm	170 mm
4-digit with dimension	526 mm	520 mm		

• Order code

		M	G-	A	T	R	4	1	0	0	0	C.	7	1	0	B	D	1
Standard type M-line																		
Large size display - indoor																		
Housing designs																		
Built-on enclosure	A																	
Panel housing	B																	
Suspendend/onesided	C																	
Suspendend/double-sided	D																	
Upright	E																	
Portable	T																	
Stainless steel housing	V	} on demand																
Display type																		
Temperature	T																	
Display colour																		
green LED	G																	
red LED	R																	
Number of digits																		
3-digit	3																	
4-digit	4																	
Digit height																		
57 mm LED	1																	
100 mm LED	2																	
200 mm LED	5																	
Interfaces																		
none	0																	
Connection																		
1 Rear side																		
2 Surface																		
3 Back side																		
Dimension																		
0 without																		
D simple labelling field (7 characters)																		
Z double labelling field																		
Version																		
B Version B																		
Setpoints																		
0 no setpoints																		
2 2 setpoints																		
Protection class																		
1 IP65																		
Voltage supply																		
5 18-36 VDC																		
S 100-240 VAC																		
Measuring input																		
C Pt100, 2-/3-/4-wire																		
Analog output																		
0 without																		
Sensor supply																		
0 without																		