

MG – 4-digit large size displays for indoor use

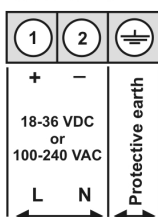
Interface triggering RS232 / RS485

- red display of 0...9999 Digits (optional 5-8 digits)
- digit height 57 mm or 100 mm, 200 mm on demand
- Aluminium profile housing, protection class IP65
- built-on devices or panel meter
- RS232 or RS485 adjustable
- adjustable baud rate 300 to 57 kbit/s
- protocol free adjustable
- adjustable start-/stop-sign
- adjustable output range in the protocol
- adjustable number evaluation
- programming interlock via access code
- on demand: outdoor devices with ultra-bright LED and heating

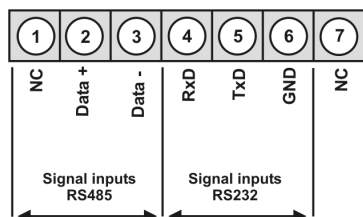


Build-up housing

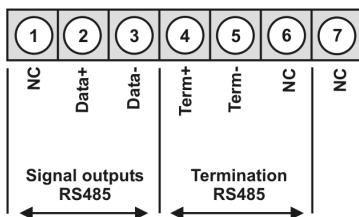
Terminal A



Terminal B



Terminal C



Panel housing

Drawing follows

57 mm	100-240 VAC	MG-BBR41.A000.S10BD3
57 mm	18-36 VDC	MG-BBR41.A000.710BD3
100 mm	100-240 VAC	MG-BBR42.A000.S10BD3
100 mm	18-36 VDC	MG-BBR42.A000.710BD3

Order key options

M	G	-	A	B	R	4	X.	A	0	0	0.	X	1	0	B	D	1	Built-on enclosure
M	G	-	B	B	R	4	X.	A	0	0	0.	X	1	0	B	D	3	Panel housing

5	200 mm LED
X	Number of digits: 5-8 digits
G	Green LED
X	Further device types

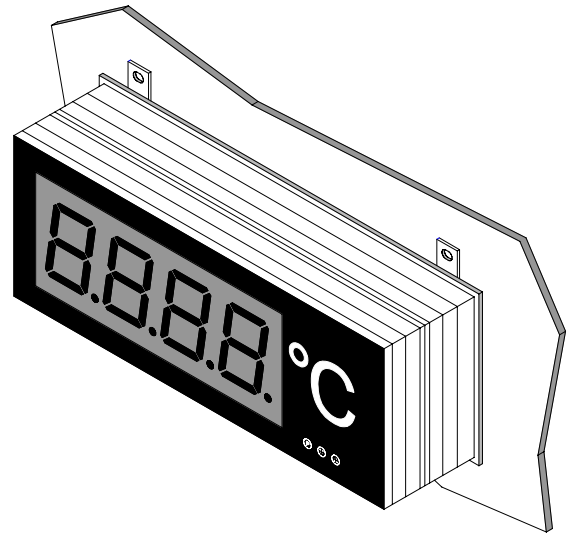
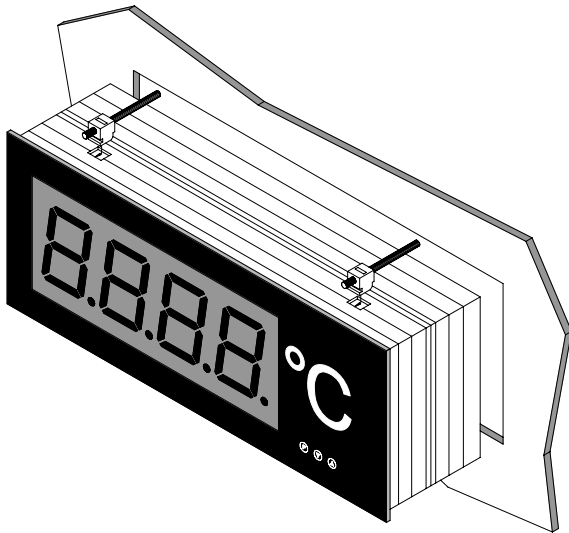
EUR

State physical unit by order on demand, e.g. kg.

• Technical data

Dimensions	Built-on enclosure	57 mm display: 316 mm x 124 mm x 82 mm (WxHxD) 100 mm display: 526 mm x 176 mm x 82 mm (WxHxD)
	Fixing	via fixing flange at the back
	Housing material Protection	Aluminium, black, powder-coated IP65
Connection	Type of plug	circular plug-in connector Binder-Series 693
	Cable admission	PG9 (6.0 ... 9.5 mm)
	Protection class	IP65
	Mechanic durability	> 500 contact durability
	Connection type	screws
Terminal A	Number of poles	3 + PE
	Cable cross section	0.5...2.5 mm (AWG 20...14)
	Rating voltage	400 V
	Rating current	12 A
Terminal B & C	Number of poles	7
	Cable cross section	0.34...1.5 mm (AWG 22...16)
	Rating voltage	250 V
	Rating current	8 A
Dimensions	Panel housing	57 mm display: W 316 mm x H 124 mm x D 104 mm 100 mm display: W 526 mm x H 176 mm x D 104 mm
	Panel cut-out	57 mm display: W 310.0 x H 118.0 ^{+/-0.5} mm 100 mm display: W 520.0 x H 176.0 ^{+/-0.5} mm
	Fixing	screw-/clamp fixing
	Housing material	Aluminium, black, powder-coated
	Protection	front side IP65, connection IP00
Connection	Terminal type	15-pole removable screw clamp for in- and outputs for conductor diameter up to 1.5 mm ²
Weight	57 mm display	approx. 3.0 kg
	100 mm display	approx. 5.0 kg
Display	Display	7-segment LED
	Digit height	57 mm, 100 mm
	Segment colour	red
	Number of digits	4 digits
	Display range	-999...9999
	Overflow	Indication of horizontal bars at the top
	Underflow	Indication of horizontal at the bottom
	Display time	0.1...10.0 seconds
Area	Indoor	
Interface serial	Protocol	adjustable ACSII-protocol
	Baud rates	300, 1200, 2400, 9600, 19200, 38400, 57600
	Interfaces	RS232 / RS485 adjustable
	Interface RS232	max. 3m
	Interface RS485	max. 1000m
	Bus subscriber	max. 32
Termination	activatable via connection terminal	
Output	Sensor supply	24 VDC/50 mA galv. isolated
	Switching points (closer)	30 VAC/0.4 A-30 VDC/0,4A
	PhotoMos	Input/Output dielectric strength
Memory	EEPROM	Data life > 20 years
Power unit	Power supply	100-240 VAC nominal voltage ±10%, 50/60 Hz 18-36 VDC, galv. isolated
	Power consumption	max. 30 VA
Ambient conditions	Working temperature	0...60°C
	Storing temperature	-20...80°C
	Climatic resistance	rel. humidity ≤ 75 % on year average without dew
EMV	EN 61326	
CE-sign	conformity to 89/336/EWG	
Safety standard	according to low voltage directive 2006/95/EG; EN61010; EN 60664-1	

- Assembly picture for panel and built-on enclosure



- Dimensions

57 mm display

Number of digits	Length L	Length LA	Height H	Height HA
3-digit with dimension	268mm	262mm	124mm	118mm
4-digit with dimension	316mm	310mm		
5-digit with dimension	364mm	358mm		
6-digit with dimension	412mm	406mm		
7-digit with dimension	460mm	454mm		

100 mm display

Number of digits	Length L	Length LA	Height H	Height HA
3-digit with dimension	436mm	430mm	176mm	170mm
4-digit with dimension	526mm	520mm		
5-digit with dimension	616mm	610mm		
6-digit with dimension	706mm	700mm		
7-digit with dimension	796mm	790mm		

