

## ● Characteristics

0300 - LOAD MEASUREMENT - FORCE - CABLE -



- Ranges:	0...1 t up to 0...500 t
- Safe overload:	150 % of range
- Operation:	with standard load lugs
- Accuracy:	<0,1% of range
- Input resistance:	700 ±20 Ω
- Isolation resistance:	> 500 MΩ
- Operating temperature:	-10...+80 °C
- Full load output:	1,5 (±0,25 %) mV/V
- Zero load output:	<±2,0 %
- Protection class:	IP66
- Excitation (max.):	10 (max. 15) V

## ● Technical Data

### Input

Measurement ranges: 0...1 / 0...2 / 0...5 / 0...12 / 0...20 / 0...25 / 0...35 / 0...50 / 0...100 / 0...250 / 0...500 t  
 Input resistance: 700 ±20 Ω

### Output

Output: via cable to handset display  
 Output resistance: 700 ±2 Ω  
 Full load output: 1,5 (±0,25 %) mV/V  
 Zero load output: <±2,0 %

### Accuracy

Combined error: < 0,1 % of range  
 Temperature coefficient:  
     of span: < ±0,0010% of range / °C  
     of zero: < ±0,0010% of range / °C

### Supply

Batteries: Cell: is supplied via handset  
               Handset: 2x Lithium AA, 1,5 VDC  
 Isolation resistance: > 500 MΩ (at 100 VDC)

### Environmental Conditions

Temperature: Compensated range: 0...+60 °C  
                   Operating range: -10...+80°C

### Mechanics

Dimensions: see table page 2  
 Material: Anodized aluminum, Type 2014T6  
 Safe overload: 150% of nominal load  
 Protection class: IP66 / IP65 for handset  
 Operation: can be used with standard load lugs

## ● Applications

The hook-in cable load cell MKWZ was specifically developed to measure cable forces and hooked crane- / lift weighing applications. Even with compact dimensions and low weight, the device is highly accurate. Thanks to a robust design, the MKWZ is also suitable for rough environmental conditions.



● **Technical Data (Continued)**

**Mechanics (Continued)**

Display:	7-digit display
Control:	6-key operation with tare function
Data transmission:	Cable
Battery life:	max. 45 h
Update rate:	max. 40 ms (can be configured)
Standard key layout:	ON/OFF: Switches handset power on/off
	RANGE: Selects between two ranges
	HOLD: Holds/releases the current display value
	GROSS/NET: Zeros display ( $\pm 100\%$ of range)
	SHUNT CAL: Generates simulated input for indicator testing
	PEAK: Enables peak hold
	TROUGH: Enables valley/trough hold

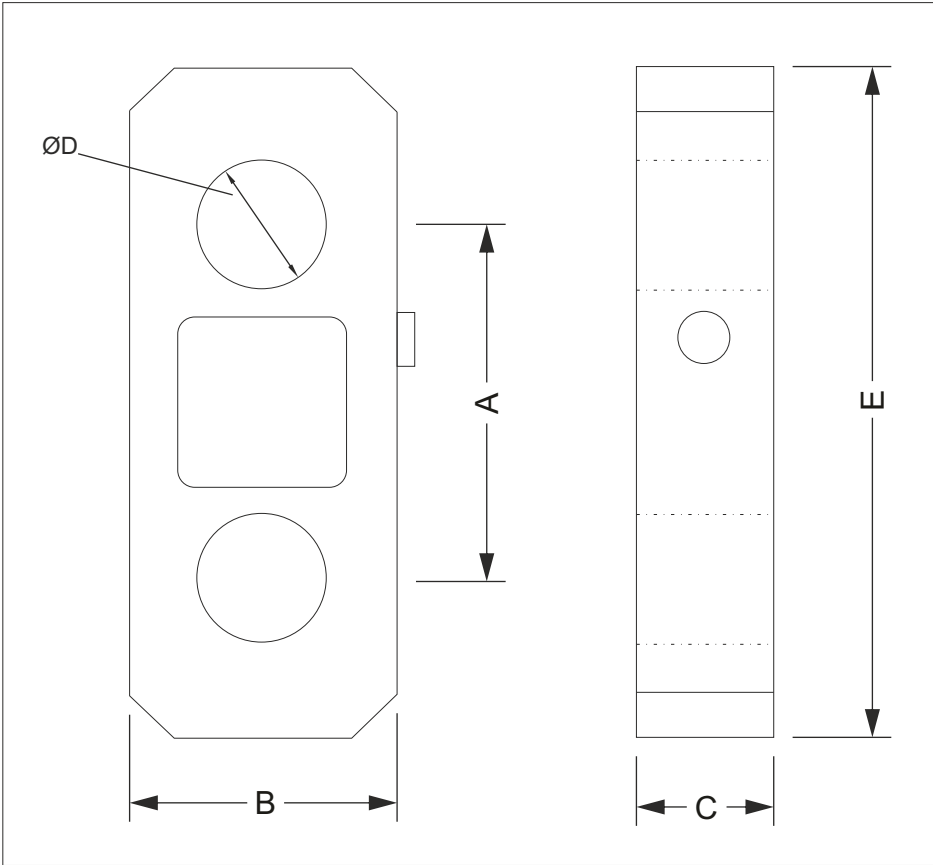
● **Dimensions (in mm)**

Dimensions						
Capacity (t)	A	B	C	DØ	E	Weight (kg)
1, 2, 5	108	105	41,5	30	164	1,4
12	120	105	41,5	38	210	1,9
20	131	125	58	53	255	4
25	131	125	58	53	255	4
35	147	135	58	60	305	5
50	170	150	77,6	73	345	9
100	228	220	120	100	455	27
250	330	304	189	145	680	87
500	n/a*	n/a*	n/a*	n/a*	n/a*	n/a*

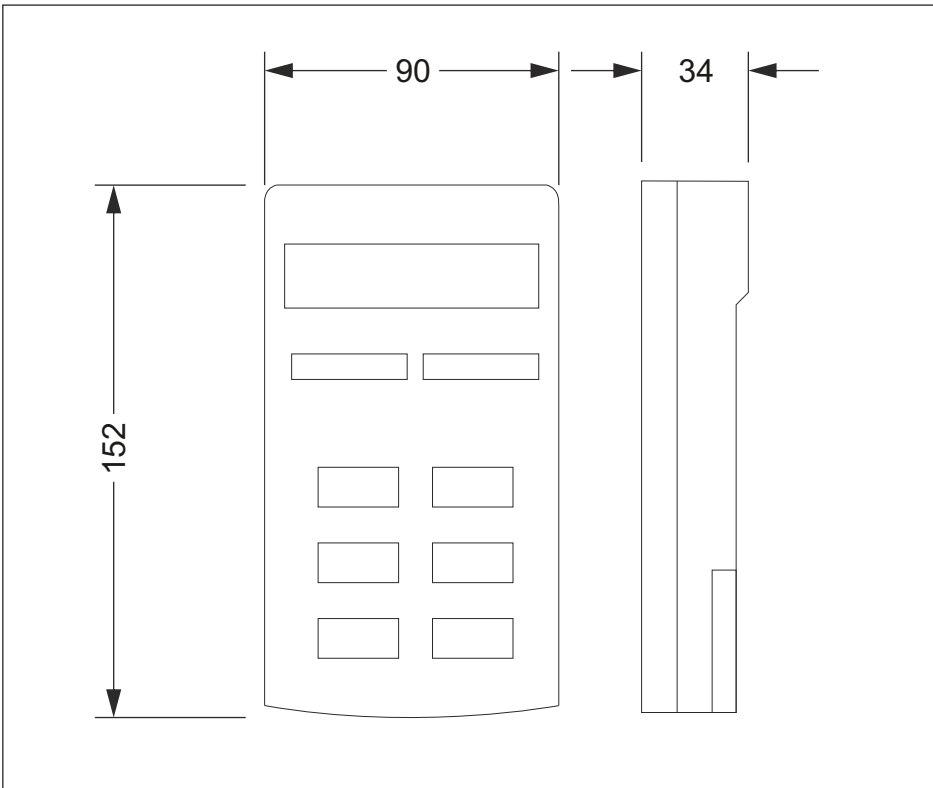
\*Range available only on request

● **Dimensions (Continued)**

**Dimensions Load Cell (in mm)**

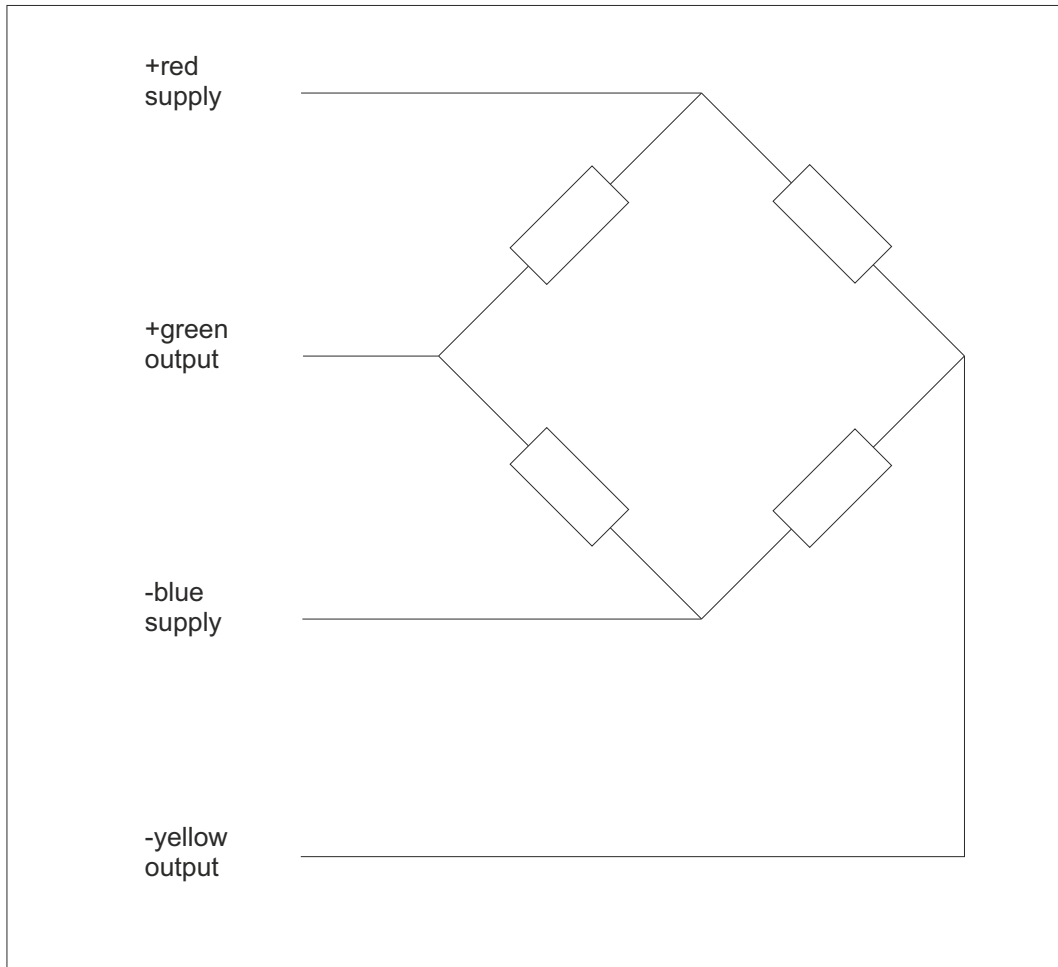


**Dimensions Handset Display (in mm)**



● **Electrical Connection**

**Electrical Connection Strain Gauge**



● **Order Code**

**F Y X X X X X X - X X X**

<b>Material:</b>	Anodized Aluminum	0
<b>Type:</b>	Cable	1
<b>Measurement range:</b>	0...1 t	0
	0...2 t	1
	0...5 t	2
	0...12 t	3
	0...20 t	10
	0...25 t	4
	0...35 t	5
	0...50 t	6
	0...100 t	7
	0...250 t	8
	0...500 t	9
<b>Other / Accessories:</b>	Special model	0