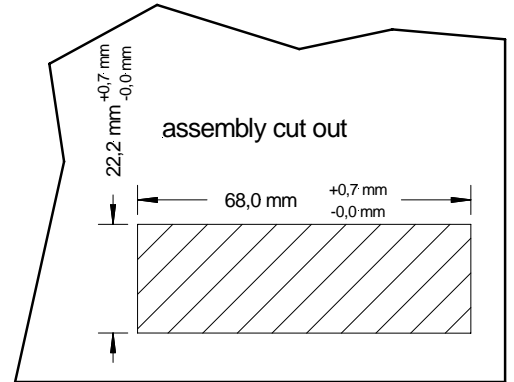
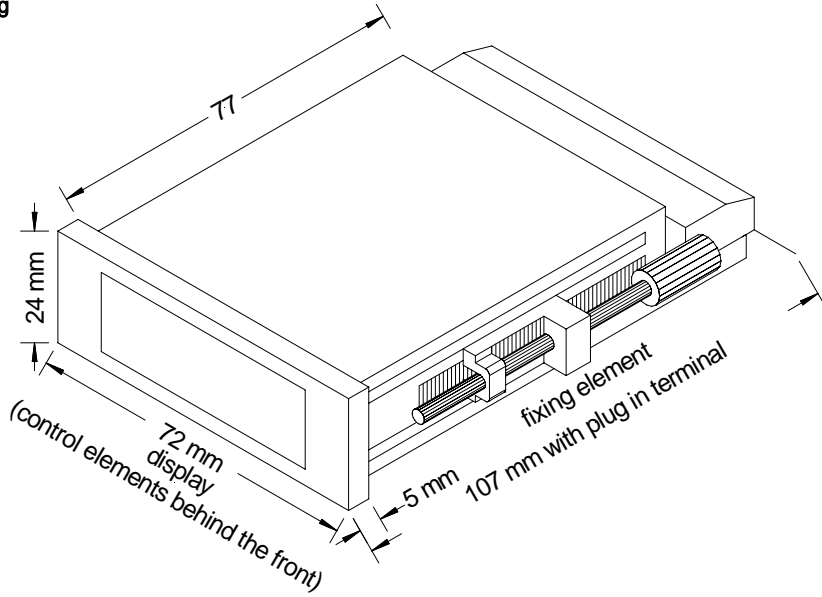


EMV DIN 61326
 CE-sign Conformity in accordance with 89/336/EWG
 Safety requirement DIN 61010

Housing



• Ordering code

		P	C	4.	0	0	0	3.	5	7	6	2	B		
Processor device														Version	
														<input type="checkbox"/> B	Version B
Type														Setpoints	
Counter	<input type="checkbox"/> C													<input type="checkbox"/> 2	2 setpoints
Number of digits														Mechanical options	
4 digits	<input type="checkbox"/> 4													<input type="checkbox"/> 5	Protection IP54, plug-in terminal
Interface														<input type="checkbox"/> 7	Protection IP65 at the front, plug-in terminal
not available	<input type="checkbox"/> 0													Power supply	
Sensor supply														<input type="checkbox"/> 7	24 VDC (galvanic insulated)
not available	<input type="checkbox"/> 0													Size of housing	
Analog output														<input type="checkbox"/> 5	72x24 mm (BxH)
not available	<input type="checkbox"/> 0													<input type="checkbox"/> 3	Counter