

# PC6 – 6-digit counter in 96x24 mm (BxH)

- red display from 0...999999 digit (optional green)
- pulse counter with display factor and reset
- timer with start-function, stop-function or reset function
- timer steps from 10 ms to 999999 s adjustable
- counter value storing during power failure and malfunction
- adjustable forward-/backward counting with initial value
- adjustable shoulder compilation
- adjustable pulse attenuation to 30 Hz, normally 10 kHz
- input for Namur sensors and 3-wire sensors
- switching contact for adjustable threshold values or pulse divisor
- protection class IP54 standard
- digit height 14 mm

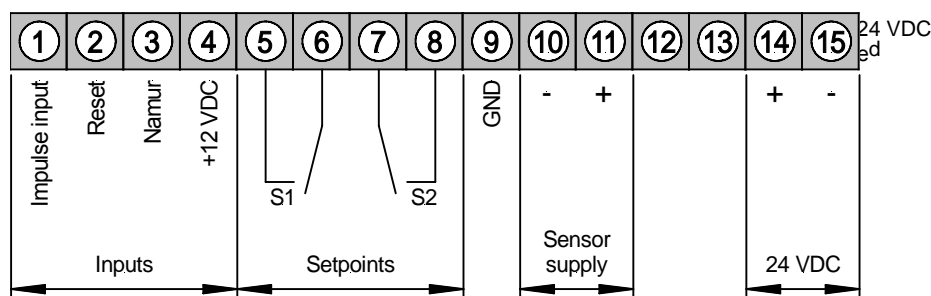


**ORDER NUMBER**  
(without options)

**EUR**

## • Impulse counter

**PC 6.0H03.3732B**



## • Order key options

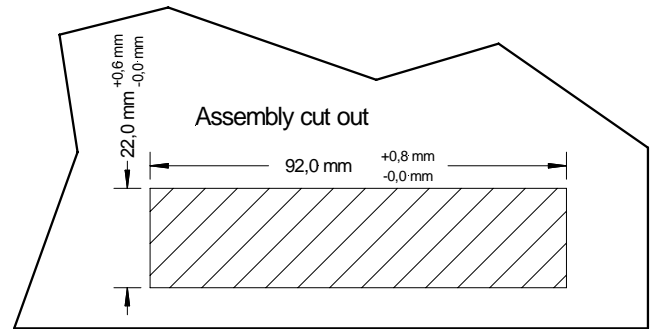
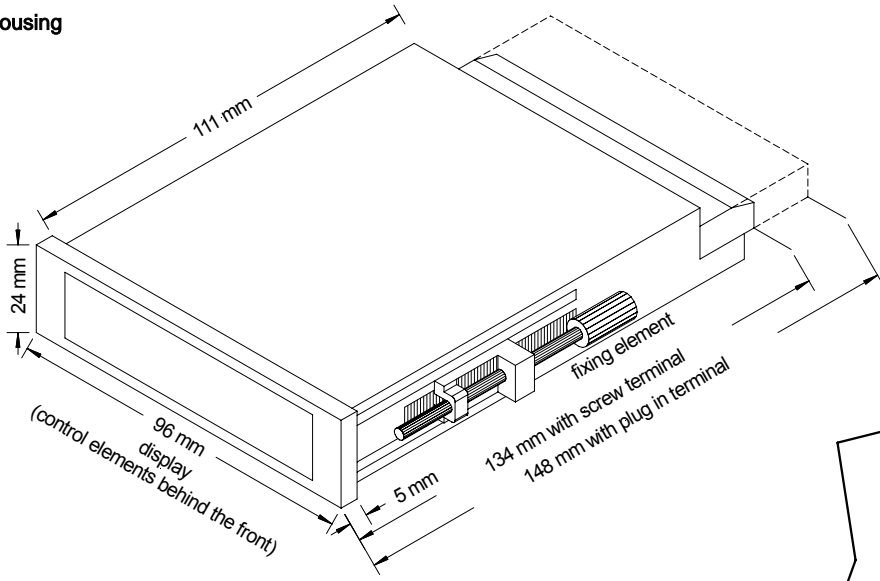
P	C	6	0	H	0	3	3	7	3	2	B			<b>EUR</b>
												G	Green LED on demand	
												9	plug-in terminal	

## • Technical data

<b>Housing</b>	Dimension	96 x 24 x 134 mm (WxHxD) including screw terminal 96 x 24 x 148 mm (WxHxD) including plug-in terminal
	Assembly cut out	92.0 <sup>+0.8</sup> x 22.0 <sup>+0.6</sup> mm
	Fastening	special quick plastic clasp
	Wall thickness	0-50 mm
	Housing material	PC/ABS-plastic blend, colour black, UL94V-0
	Protection	standard IP40, (front), IP00 (rear side)
	Weight	approx. 250 g
	Connection	screw terminal / plug-in terminal; uni diameter joint up to 2.5 mm <sup>2</sup>
<b>Indication</b>	Character height	14 mm
	Segment colour	red
	Display	6-digit
<b>Input</b>	Impulse instalment	10000 impulses/s max. 30 pulses/s with active damping
	Input resistance	approx. 5 kΩ
	Input voltage	±5...24 V
	HIGH- / LOW level	≥6 V / <4 V
<b>Output</b>	Sensor supply	12 VDC/15 mA (not galvanic insulated)
	Setpoints	30 VAC/0.4 A – 30 VDC / 0.4 A
	Photo Mos	input – output voltage / disruptive discharge 100 VAC
<b>Power unit</b>	supply voltage	24 VDC / ±10%
	power consumption	max. 5 VA
<b>Memory</b>	EEPROM	Data conservation >30 years
<b>Ambient conditions</b>	Working temperature	0 up to +60°C
	Storing temperature	-20 up to +80°C
	Climatic conditions	rel. humidity ≤75% in the annual mean without formation of condensation

EMV                   DIN 61326  
 CE-sign            Conformity in accordance with 89/336/EWG  
 Safety requirement   DIN 61010

**Housing**



• **Ordering code**

	P	C	6	0	H	0	3	3	7	3	2	B
<b>Processor device</b>												
<b>Type</b> Counter		C										
<b>Number of digits</b> 6 digits			6									
<b>Interface</b> not available				0								
<b>Sensor supply</b> 12 VDC / 15 mA					H							
<b>Analog output</b> not available						0						
<b>Version</b> Version B												B
<b>Switching points</b> 2 switching points												2
<b>Mechanical options</b> 3 Operation behind front pane, IP54, screw terminal 5 Operation behind front pane, IP54, plug-in terminal												3
<b>Power supply</b> 24 VDC (galvanic isolated)												7
<b>Size of housing</b> 96x24 mm (BxH)												6
<b>Counter</b>												3