

# ADJUSTABLE PRESSURE SWITCH IP65 TYPE PF243L

Max Voltage: 28 V  
 Current: 0,5 A Resistive  
 Certification: CE  
 Contact: SPST-NO (Normally Open)  
 SPST-NC (Normally Closed)  
 Electrical Connection: Faston 6,3 x 0,8  
 Standard Materials: Zinc Plated Steel Body  
 HNBR Diaphragm/Gasket  
 Switch housing Nylon 6/6  
 Silver plated contact  
 Electrical Protection: IP65 with CP65L Protection cap  
 Mechanical life: 10<sup>6</sup> cycles (Membrane)  
 Setting: Internal Screw  
 Mounting: Hexagonal body Sw24

PF243L



CP65L



Rev.03/2016

## ORDERING CODE

**PF243L 10 BR V C 14 T5D**

<b>TYPE</b>	PF243L
Faston Pressure Switch SW24	
<b>ADJUSTABLE RANGE</b>	10
1 - 2 - 10 - 20 - 50 - 300	
<b>BODY MATERIALS</b>	BR
ZP - BR - SS3 - SS6	
<b>MEMBRANE MATERIALS</b>	V
HN - NB - V - S - E - SS	
<b>ELECTRICAL SWITCH</b>	C
O - C	
<b>CONNECTIONS</b>	14
18 - 14 - 10K - 18C - 14C	
<b>SPECIAL EXECUTIONS</b>	T5D
T - TD - G - SG - ST** - SW	

## CODE EXPLANATION

### TYPE

PF243L Faston Adjustable Pressure switch, IP65 protection

### RANGE

1	0,1 ÷ 1 bar
2	0,2 ÷ 2 bar
10	1,5 ÷ 10 bar
20	9 ÷ 20 bar
50	15 ÷ 50 bar
300	40 ÷ 300 bar

### BODY MATERIAL

ZP	Zinc Plated Steel (standard)
BR	Brass Max Press. 80 bar (Only range 1, 2, 10 bar)
SS3	Stainless Steel AISI 303
SS6	Stainless Steel AISI 316

### DIAPHRAGM/GASKET MATERIALS/TEMPERATURE

HN	HNBR	-20 ... +120 °C (standard)
NB	NBR	-20 ... +90 °C
V	FKM	-25 ... +120 °C
S	Silicone	-40 ... +140 °C
E	EPDM	-20 ... + 120 °C
SS	Stainless Steel	-30 ... +140 °C

### ELECTRICAL CONTACT

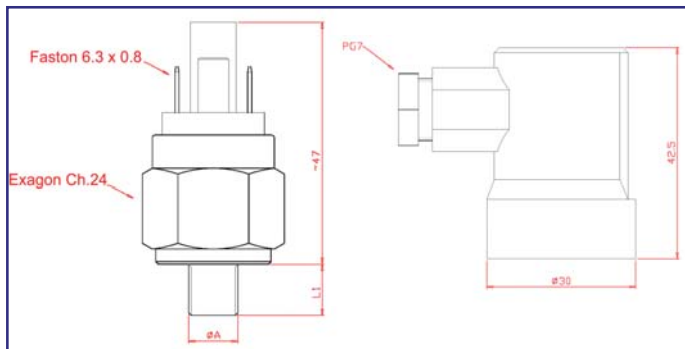
O	SPST Normally Open
C	SPST Normally Closed

### CONNECTIONS Quote A

18	1/8 Gas Taper L1=10 mm
14	1/4 Gas Taper L1=12 mm
10K	M10 x 1 Taper L1=10 mm
18C	1/8 Gas Parallel L1=10 mm
14C	1/4 Gas Parallel L1=12 mm

### SPECIAL EXECUTIONS

T	Rising set point @ indicated value
TD	Falling set point @ indicated value
G	Gold plated Contact for low current
SG	Degreased for oxygen
TG	Tested for Gas
ST**	Special threads (NPT, SAE, Metric etc...)
SW	Special wiring (Automotive, Integrated/free connector etc...)



Type	Adjustable Range (bar rel.)	Maximum static pressure bar	Fixed hysteresis @ 25°C (bar)	Set-point tolerance @ 25°C (bar)	Execution
<b>PF243L</b>					
1	0,1 ÷ 1	350	0,08	± 0,08	Membrane
2	0,2 ÷ 2	350	0,13	± 0,15	Membrane
10	1,5 ÷ 10	350	0,20	± 0,8	Membrane
20	9 ÷ 20	350	0,35	± 1,0	Membrane
50	15 ÷ 50	350	1,5	± 2,0	Membrane
300	40 ÷ 300	600	15	± 15	Piston