


Characteristics

2 - TRANSMITTER -

	Pressure:	Relative
	Range:	0...10 bar up to 0...1000 bar
	Output:	4...20 mA / 0...20 mA / 0...10 V / 0...5 V
	Accuracy:	<1% of span (compensated temperature range)
	Temperature medium:	-40...+150 °C
	Material enclosure:	CrNi steel
	Pressure connection:	G 1/4 / M14x1,5 / 1/4 NPT / SAE 04 / SAE 06
	Electrical connection:	M12x1 / Cable / more see page 3
	Protection:	IP67 (IP69k with cable)

Technical data

Pressure input

Relative pressure:	0...10 bar up to 0...1000 bar
Ranges:	see table page 2
Overpressure safety:	see table page 2

Analog output

4...20 mA:	2-, 3-wire	Load:	maximum (U+ - 9 V) / 0,02 A
0...20 mA:	3-wire	Load:	maximum (U+ - 9 V) / 0,02 A
0...10 V:	3-wire	Load:	>10 kΩ
0...5 V:	3-wire	Load:	>10 kΩ
1...6 V:	3-wire	Load:	>10 kΩ

Performance

Overall accuracy:	<=1% of span (0...80 °C)
	<=1,5% of span (-25...100 °C)
	<=2,5% of span (-40...125 °C)
Non-linearity:	<0,5% of span
Non-repeatability:	<0,5% of span
Pressure hysteresis:	<0,5% of span
1-year stability:	<0,2% of span

Supply

Output:	4...20 mA / 0...20 mA / 0...5 V / 1...6 V: 9...36 VDC
	0...10 V: 14...36 VDC
Wiring protection:	Ratiometric output: 5 V ±10%, residual ripple maximum 10% at 50 Hz
	Short-circuit: OUT towards GND / OUT towards U+
	Reverse polarity: U+ towards GND (not for ratiometric output)

Applications

The cost-effective pressure transmitter is suitable for mechanical engineering, mobile hydraulics, pneumatics, general industrial applications.



Photos: www.pixelio.de

● **Technical data (continued)**

Ambient conditions

Ambience temperature:	With plug connection:	-40...+125 °C
	With cable connection:	-25...85 °C
Storage temperature:	With plug connection:	-40...+125 °C
	With cable connection:	-25...85 °C
Medium:		-30...+150
Rated temperature range:		0...+80 °C (compensated)
CE-conformity:	Directive on machinery:	2006/42/EC
	Directive on EMC:	2004/108/EC
		EN 61000-6-2
		EN 61000-6-3
Shock resistance:		500 g according IEC 60068-2-27 (mechanical shock)
Vibration resistance:		20 g according IEC 60068-2-6

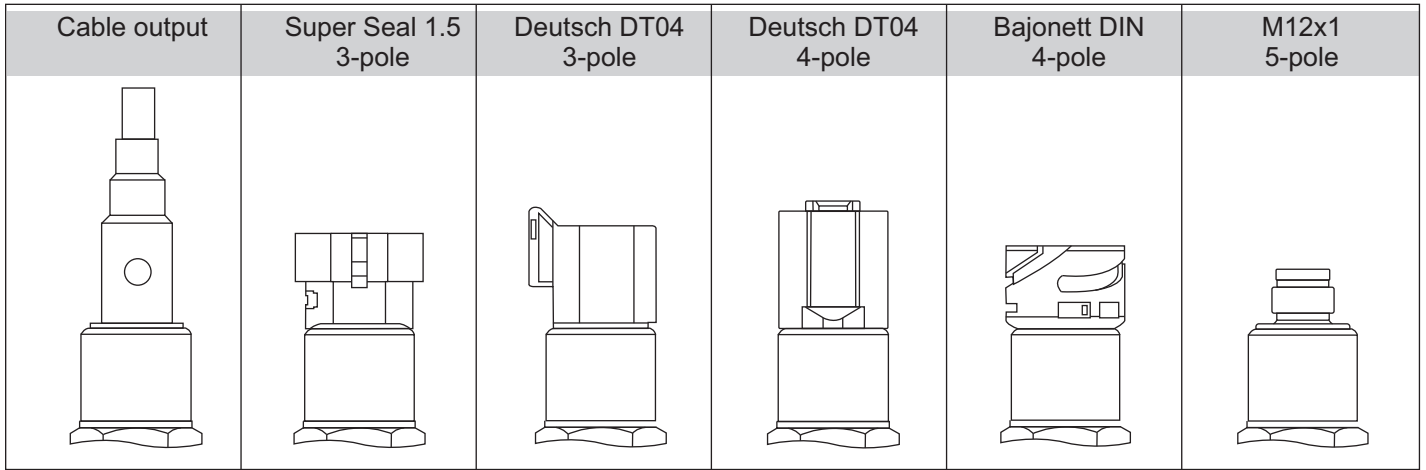
Mechanics

Material	Case:	CrNi steel 1.4301
	Pressure connection:	CrNi steel 1.4548, (in contact with medium)
	Sealing:	FKM (in contact with medium)
	Diaphragm:	CrNi steel 1.4548
	Connection plug:	PBT-GF30
Pressure connection:		G 1/4 (EN837) / G 1/4 (DIN 3852-E), Captive seal / M14x1,5 / 1/4 NPT SAE 04 - O-ring / SAE 04 - Cone / SAE 06 - O-ring for NPT thread: nominal size for "US standard tapered pipe thread NPT"
Electrical connection:		see page 3
Ingress protection:	Connection with plug:	IP67
	Connection with cable:	IP69k (Cable and sensor can not be separated)
Tightness of torque:		35 Nm maximum
Weight:		approx. 50 g (M12x1, G1/4)

Pressure table (in bar)

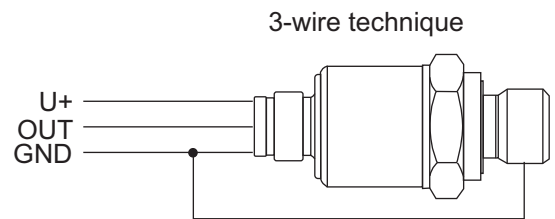
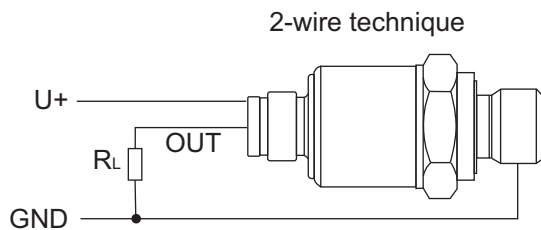
Pressure range	10	16	25	40	60	100	160	250
Overload	40	40	40	100	200	200	500	500
Pressure range	400	600	1000					
overload	800	1000	1200					

Electrical connection



	2-wire connection 4...20 mA		3-wire connection 0(4)...20 mA, 0...10 V, 0...5 V, 1...6 V		
	U+	OUT	U+	OUT	GND
M12x1, 5-pole	1	3	1	4	3
Bayonet DIN, 4-pole	1	2	1	3	2
Deutsch DT04, 3-pole	A	C	A	B	C
Deutsch DT04, 4-pole	1	2	1	3	2
AMP Superseal 1.5, 3-pole	3	1	3	2	1
Cable output	brown	blue	brown	black	blue

Recommended terminal layout



Pressure connection (in mm)

M14x1,5	G1/4 (EN837) Manometer	G1/4 (DIN 3852-E)	1/4NPT	SAE 04 - Cone 7/16-20 UNF
SAE 04 - O-ring 7/16-20 UNF	SAE 06 - O-ring 9/16-18 UNF			

● **Order code**

U L X X - X - X X X X X

Kind of pressure: Relative pressure 0

Contact with medium: CrNi steel 0

Pressure range:¹⁾ (please indicate) X

Output:

4...20 mA, 2-wire	1
0...20 mA, 3-wire	3
0...10 V, 3-wire	4
0...5 V, 3-wire	B
4...20 mA, 3-wire	C
1...6 V, 3-wire	D
10...90% VCC (ratiometric)	E

Process connection:

G1/4" (DIN 3852 E)	1
1/4"NPT	7
G1/4" (EN 837), manometer	B
SAE 04 - O-ring	I
SAE 04 - Cone	J
SAE 06 - O-ring	K
M14x1,5	L

Electrical connection:

M12x1, 5-pole	2
Deutsch DT04, 3-pole	4
Deutsch DT04, 4-pole	5
AMP Super Seal 1.5, 3-pole	6
Bayonet (DIN), 4-pole	7
Cable connection, 2 m length	9
Cable connection, 5 m length	B

Temperature medium: -40...+150 °C 1

Special model: No 0
Yes (please indicate) 1

1) Pressure ranges: C1 = 0...10 / C2 = 0...16 / C3 = 0...25 / C4 = 0...40 / C5 = 0...60 / D1 = 0...100 bar / D2 = 0...160 / D3 = 0...250 / D4 = 0...400 / D5 = 0...600 / E1 = 0...1000

● **Dimensions (in mm)**

