


Characteristics

3 - WEIGHING SYSTEM - SOLUTION - VESSEL

| | | |
|---|-------------------------------|------------------------------------|
|  | - Ranges: | 0...1 up to 0...100 t |
| | - Output: | 2 mV/V (±0,25%) |
| | - Supply voltage: | 10 V (maximum 15 V) |
| | - Accuracy: | <0,05% of range (combined error) |
| | - Protection: | IP68 |
| | - Temperature range: | -25...+70 °C (operating) |
| | - Cable length: | 10 m standard |
| | - Safe overload: | 150% of range |
| | - Protection device: | integral lift off prevention |
| | - Option: | completely made of stainless steel |
| - Advantage: | insensitive to off axis loads | |

Technical data

Input

Ranges: 1 / 2 / 5 / 7,5 / 10 / 15 / 20 / 30 / 50 / 75 / 100 t
 Input resistance: 750 Ohm +/- 20 Ohm

Output

Full load: 2,0 mV/V (±0,25 %)
 Zero load: <± 2,0 % of range
 Output resistance: 700 Ohm +/- 2 Ohm

Accuracy

Combiend error: <0,05 % of range
 Repeatability: <0,01 % of range
 Temperature coefficient:
 on span: <0,005% of range / °C
 on zero: <0,003% of range / °C

Power Supply

Excitation: 10 VDC recommended (maximum 15 V)
 Insulation resistance: >500 MOhm at 100 VDC

Ambient conditions

Temperature: compensated range: -10 up to +50°C
 operating range: -20 up to +70°C

Mechanics

Construction: see page 2
 Dimensions: see table page 2
 Material load cell: stainless steel
 Safe overload: max. 150% of nominal load
 Degree of protection: IP 68
 Weight: see table page 2
 Connection: 10 m cable, shielded, 4-wire

Applications

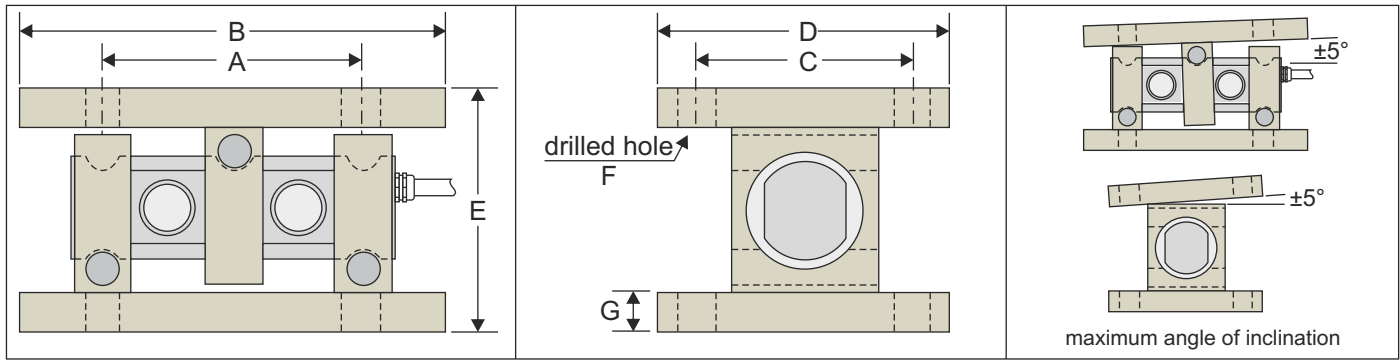
For use in all ranges where weigths have to be measured, e.g. in electronic vehicle scales, in track scales, hoppers and silos in loading plants for ports and terotechnology.



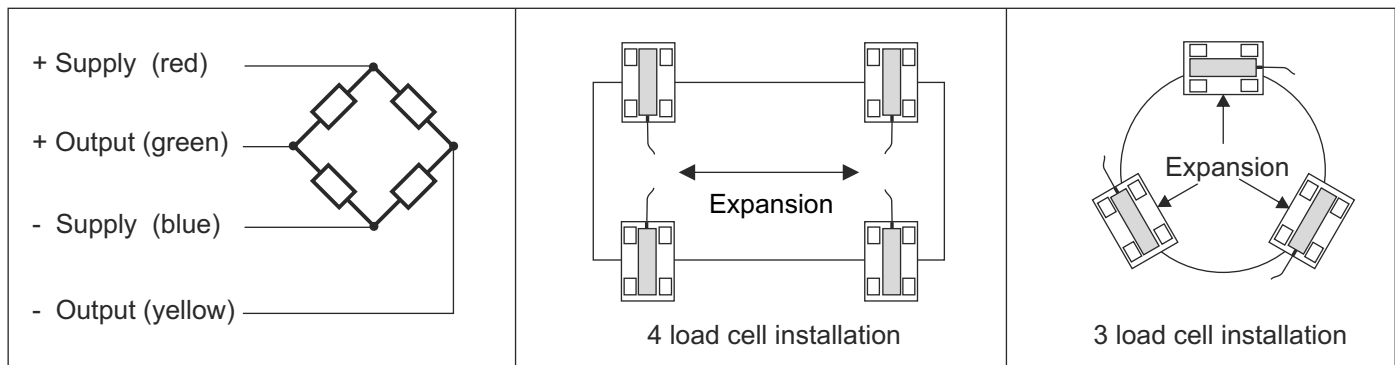
● **Dimensions (in mm), weight, view**

| | Range | A | B | C | D | E | ØF | No. F | G | ME* | Weight |
|--------|-----------|-----|-----|-----|-----|-----|----|-------|------|-----|---------|
| Size 1 | 1...5 t | 105 | 150 | 94 | 124 | 88 | 13 | 8 | 12,7 | 3 | -, - kg |
| Size 2 | 2...20 t | 140 | 200 | 125 | 165 | 117 | 18 | 8 | 18 | 4 | -, - kg |
| Size 3 | 10...50 t | 175 | 280 | 175 | 230 | 162 | 22 | 8 | 25 | 6 | -, - kg |
| Size 4 | 75 t | 240 | 300 | 190 | 250 | 184 | 26 | 12 | 25 | 6 | -, - kg |
| Size 5 | 100 t | 250 | 320 | 230 | 300 | 210 | 26 | 12 | 30 | 8 | -, - kg |

*ME= maximum expansion / contraction



● **Connection, installation**



● **Ordering code**

S I X X X X X X - X X X

| | | |
|-------------------|-------------------------------------|---|
| Load cell: | size 1 (1...5 t) | 0 |
| | size 2 (2...20 t) | 1 |
| | size 3 (20...50 t) | 2 |
| | size 1 (1...5 t), stainless steel | 3 |
| | size 2 (2...20 t), stainless steel | 4 |
| | size 3 (10...50 t), stainless steel | 5 |
| | size 4 (75 t) | 6 |
| | size 5 (100 t) | 7 |
| | size 4 (75 t), stainless steel | 8 |
| | size 5 (100 t), stainless steel | 9 |

| | | |
|---------------|-------|---|
| Range: | 1 t | 0 |
| | 2 t | 1 |
| | 5 t | 2 |
| | 7,5 t | 3 |
| | 10 t | 4 |
| | 15 t | 5 |
| | 20 t | 6 |
| | 30 t | 7 |
| | 50 t | 8 |
| | 75 t | 9 |
| | 100 t | A |

Output: 2 mV/V 0

Other / accessories: special model 0

Subject to change, version 39-958