

## ● Characteristics

0620 - LOAD MEASURING - FORCE - OVERLOAD



- Input:	1x strain gauge full bridge (350 Ω)
- Strain gauge sensitivity:	up to 4 mV/V
- Sensor supply:	5 VDC
- Analogue output:	2x 4...20 mA
- Voltage supply:	24 VDC ±10%
- Accuracy:	see technical data
- Ingress protection:	IP 20
- Vibration protection:	without
- Diagnostic input:	Pulse of 24 VDC, ≤250 Hz
- Enclosure:	DR22,5 (117x22,5x113,6 mm)
- Certificates:	SIL3 and Performance level „e“

## ● Technical data

### Input

Strain gauge: 1x strain gauge full bridge 350 Ω  
 Strain gauge sensitivity: up to 4 mV/V

### Output

Analogue A:	Nominal operation range:	8...16 mA
	Valid signal range:	4...20 mA
	Zero point:	8 mA or 12 mA (tension and compression load)
	Load resistance:	maximum 500 Ω
	Other:	galvanical isolation from supply voltage and output B
Analogue B:	Nominal operation range:	8...16 mA
	Valid signal range:	4...20 mA
	Zero point:	8 mA or 12 mA (tension and compression load)
	Load resistance:	maximum 500 Ω

### Interface

I2C bus: Use: Calibration by manufacturer

### Performance measuring amplifier

Accuracy: Balance of current: ±5% deviation of current (0,8 mA)  
 Temperature coefficient.: <50 ppm/K  
 Diagnostic input 24 VDC: current output channel B increases by 1 mA, ≤250 Hz

## ● Applications

The safety measuring amplifier with 1 sensor input is for use in applications where a bridge signal has to be observed because of reasons of safety, eg for stage technology. The evaluation of the load cell has to be done with a control system which is approved for SIL3 / Performance Level „e“.

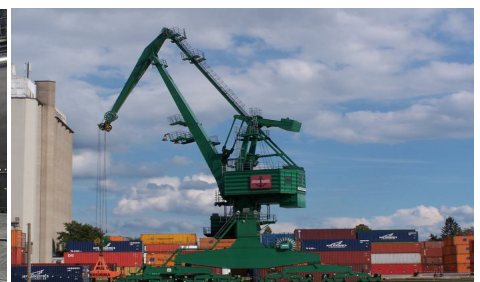
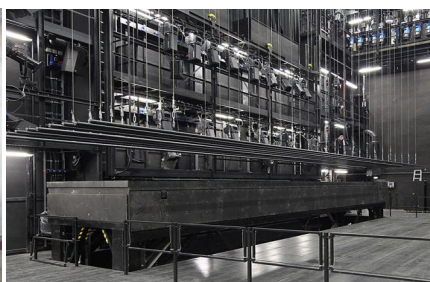


photo: www.pixelquelle.de

## ● Technical data (continued)

### Power supply

Voltage:	24 VDC, $\pm 10\%$
Current consumption:	Maximum 100 mA
Sensor supply:	5 VDC
Test pulse:	24 VDC $\pm 20\%$

### Ambient conditions

Operating temperature:	-10...+60°C
Storing temperature:	-20...+70°C
Air humidity:	96% rH without condensation

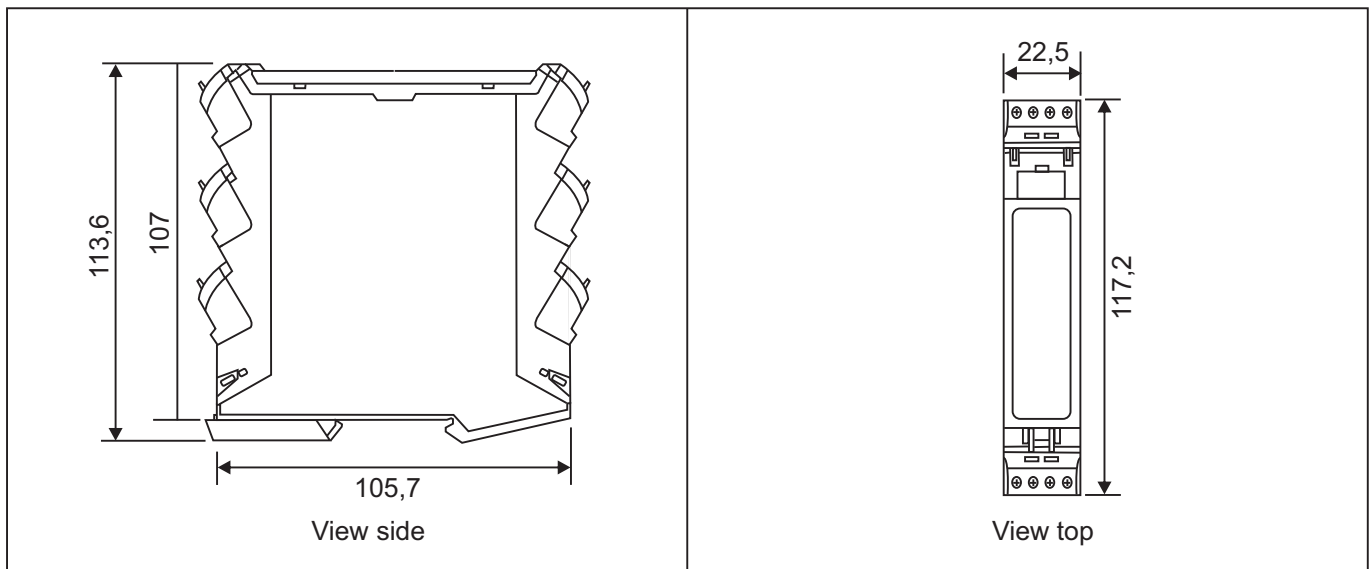
### Mechanics

Case DR 22,5:	Dimensions: 117,2x22,5x113,6 mm Material: PA66 GF30 Color: black Flammability: UL 94 V-0 Mounting: DIN rail TS 35
Protection:	IP 20
Weight:	approx. 240 g
Electrical connection:	6 plug-in terminal strips 4-pole
Clamping range:	0,13...3,31 mm <sup>2</sup>

### Safety specifications

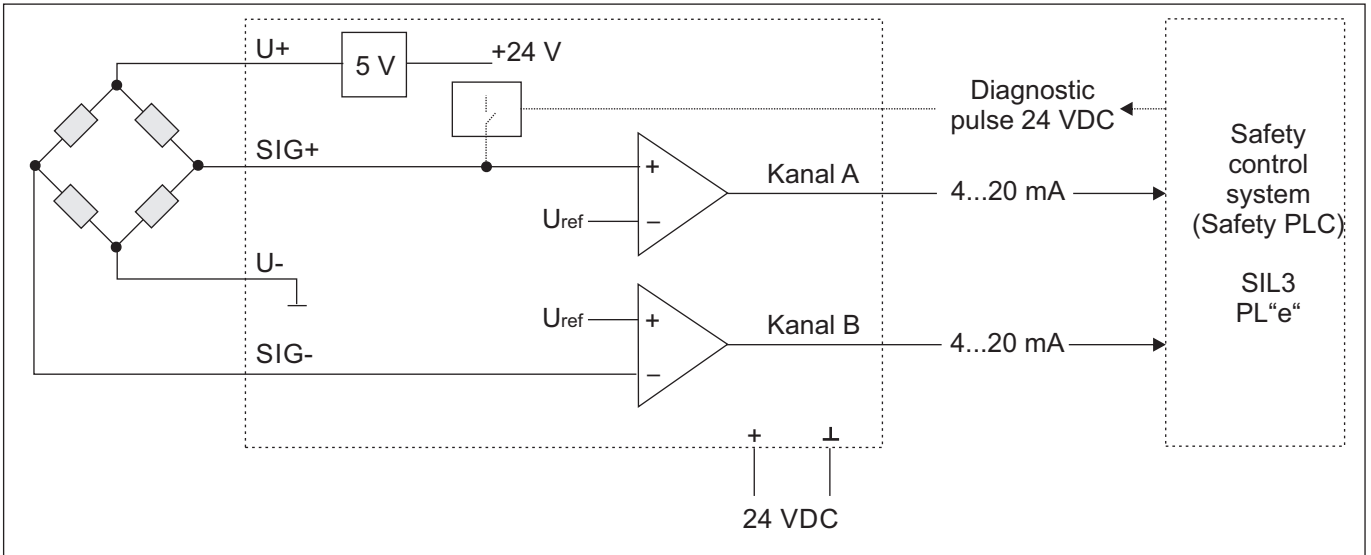
Certificates:	SIL3 (EN 61508, EN 62061) Performance level „e“, category 3 (EN13849-1)
Evaluation:	The evaluation of both analog signals has to be done with a safety control system (Safety PLC). The program concept for the safety control system (Safety PLC) is specified by the manufacturer.

## ● Dimensions (in mm)



**Function**

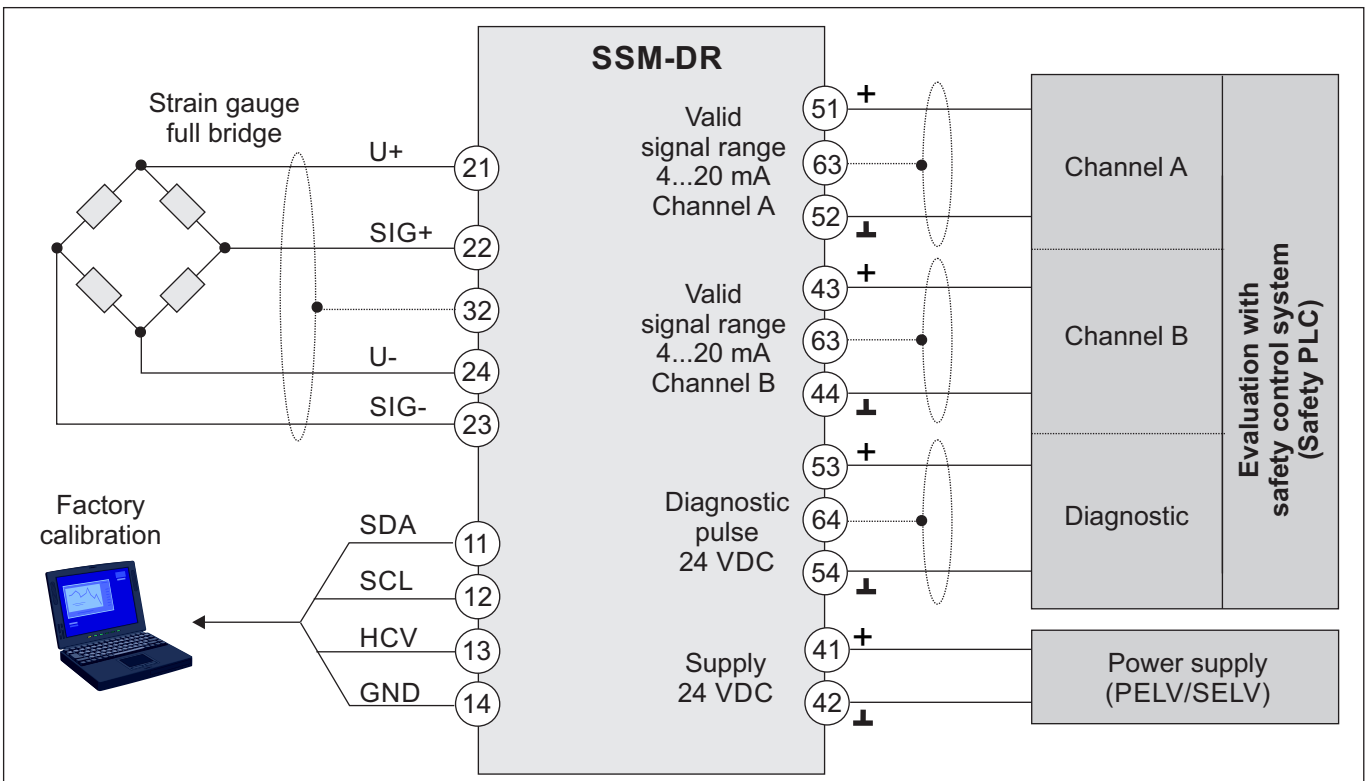
**General principle**



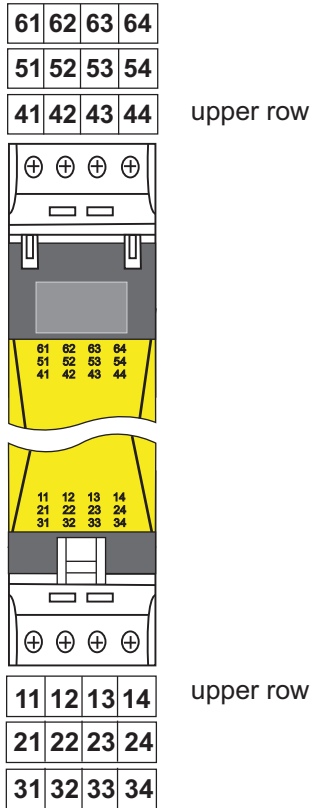
**Output signal channel A and channel B**



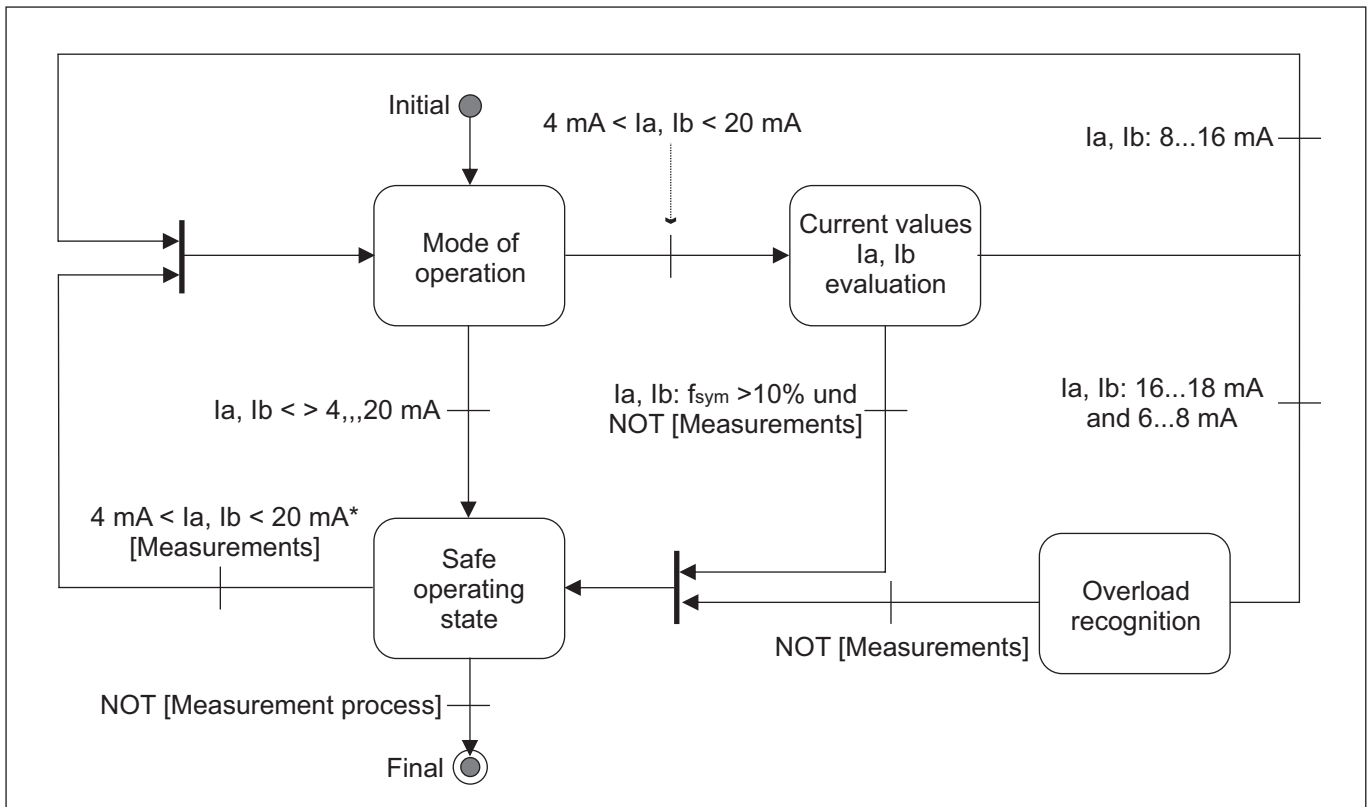
**Principle of connection (example)**



● **Connection terminals**



● **Evaluation concept PLC (finite state machine (FSM))**



● **Ordering information**

Bridge measuring amplifier SIL3 und PL „e“:

1 bridge input and 2 analog outputs

Order No.: 0600-00492