


● Characteristics

0600 - RESISTANCE - CURRENT - VOLTAGE - PROGRAMMABLE

	- Input current:	0...20 mA
	- Input voltage:	0...20 V
	- Input resistance:	0...4000 Ω
	- Output:	4...20 mA, galvanically insulated
	- Supply:	6...32 VDC out of current loop
	- Transmission error:	maximum 0,1% FS or ???
	- Configuration:	RFID configurator
	- Connection:	Terminal screws
	- Protection:	IP20
	- Dimensions:	18x90x64 mm
- Enclosure:	Synthetics PA66	

● Technical data

Input

Current:	Range:	0...20 mA
	Default range:	4...20 mA
Voltage:	Range:	0...20 V
Resistance:		0...4000 Ω

Output

Current signal:	4...20 mA, galvanically insulated, linearization	
Connection:	2-wire	
Signal on error:	21,5 mA or 3,8 mA (adjustable)	
Range output:	Overflow:	Final value +0,5 mA
	Underflow:	Zero value -0,1 mA
Output protection:	ca. 30 mA	
Logging function:	non-volatile memory (2624 words), sampling rate adjustable	

Ambient conditions

Operating temperature:	-40...85 °C
Storage temperature:	-40...105 °C
Air humidity:	30...90% rH (40 °C, non condensation)

● Applications

The transmitter is suitable in all areas where a standard input signal has to be converted in an output signal of 4...20 mA with galvanical insulation. It is operated in a 2-wire current loop and can be customized on the application with a RFID configurator and an additional software..



● Technical data (Continued)

Measuring amplifier

Resolution:	16 bit (2 μ A)
Transmission error:	maximum 0,1% FS or ???
Sampling rate:	300 ms
Response time t90:	ca. 600 ms
Temperature coefficient:	<100 ppm
Filter:	50...60 Hz
Influence EMC:	<0,5%
Configuration:	RFID configurator (NFC) Rescaling of 4...20 mA on available input signal Adjustment of zero and gain via key
Isolation voltage:	1 kV AC

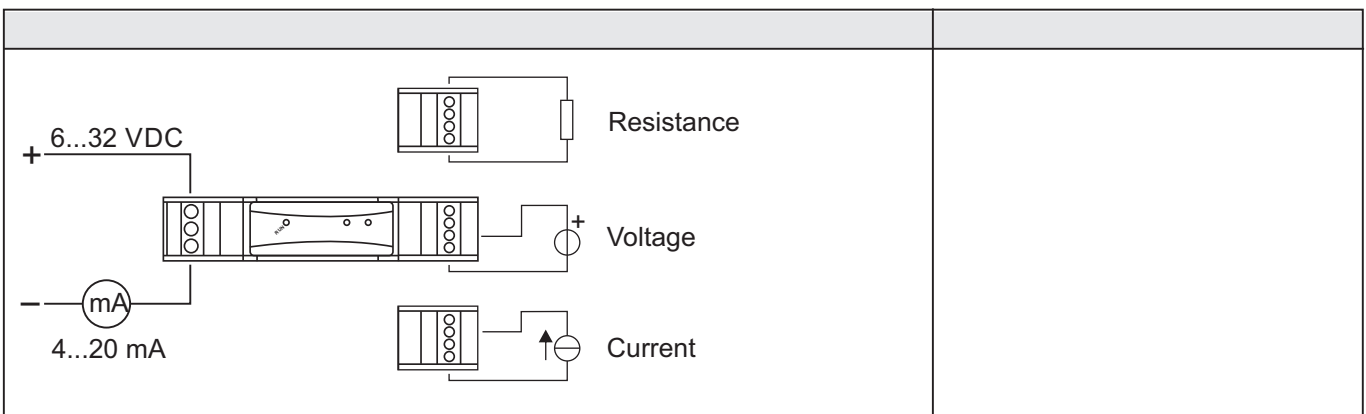
Supply

Voltage:	6...32 VDC
----------	------------

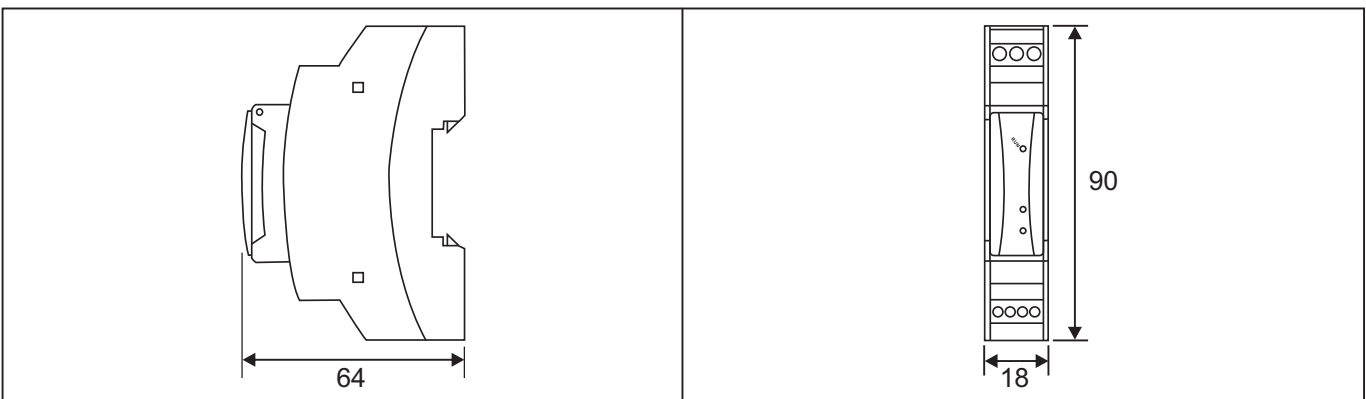
Mechanics

Enclosure:	Dimensions:	18x90x64 mm
	Material:	Synthetics black (PA66)
Protection:	IP 20	
Electrical connection:	Terminal screws	
	Cross-sectional area:	1 mm ²
	Strip length:	8 mm
Weight:	ca. 50 g	
Conformity:	EN 61000-6-4, EN 61000-6-2	

● Electrical connection



● Dimensions (in mm)



● Order numbers

TP-TC:	Transmitter Standard Signal with factory configuration (Input 4...20 mA) with customized configuration (please indicate)	Order-No.: 600-00535 Order-No.: 600-00536
DEV-RP:	RFID configurator, cable, software	Order-No.: 1310-00383

Subject to change, version 42-422