

---

# Load cell

for eccentric weight, suitable for  
small electronic platform scales and electronic price-counting scales

---

## Characteristics

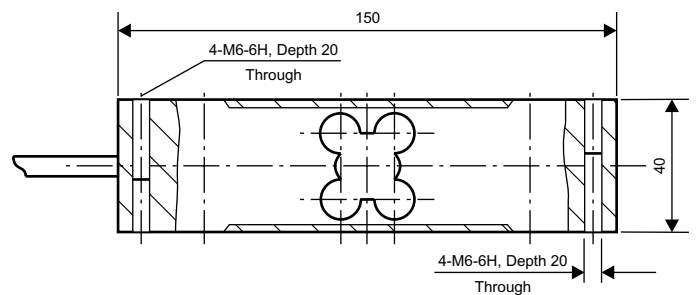
- Rated load 50 kg ... 300 kg
- Output 2 mV/V
- Supply voltage 10 VDC
- Accuracy +/- 0,02 % of end-scale value
- Degree of protection IP67
- Recommended platform size 400 x 400 mm
- High resistance to lateral loads
- Highly accurate and reliable



## Description

The denotation "for eccentric weight introduction" is for load cells that hold the unique feature to appoint exactly the weight of charges, even if the charges' main focus is beyond off-centre of the load cell. At conventional mechanical scales it is realized by a parallelogram, which requires numerous mechanical details (hybrid-system).

In contrast thereto, at this load cell all extra elements escape because it joins the properties of the parallelogram by the use of its mechanical construction. Thereby results a substantial simplification of the mechanical construction on the part of the scale system, which will be used especially at platform scales, container scales or belt weighers.

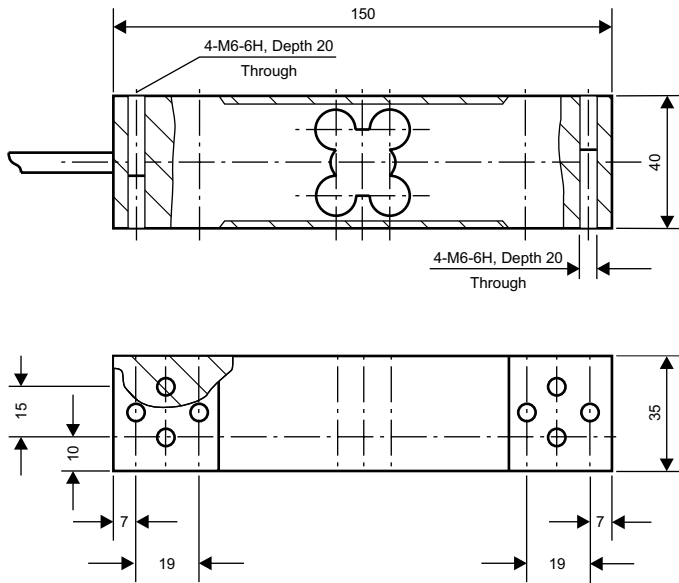


---

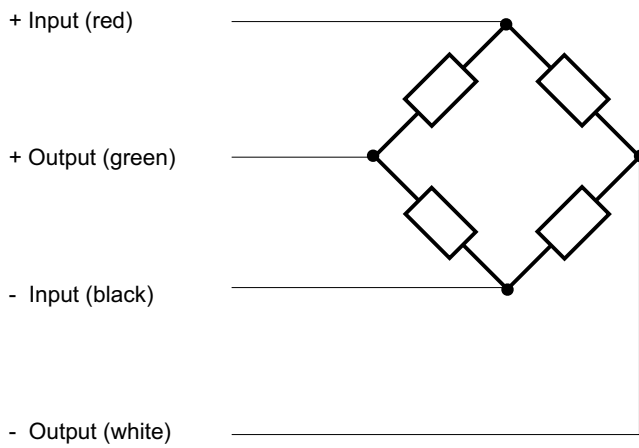
## Technical Data

<b><u>Input</u></b>	Measurement ranges:	0 - 50, 60, 100, 150, 200, 300 kg
	Input resistance:	406 Ohm +/- 4 Ohm
	Insulation resistance:	$\geq 5 \times 10^9$ (50 V DC)
	Overload:	Safe overload    max. 120 % of end-scale value
<b><u>Output</u></b>	Output sensitivity:	2 mV/V +/- 0,01 %
	Output resistance:	350 Ohm +/- 3 Ohm
<b><u>Accuracy</u></b>	Linearity:	+/- 0,02 % of end-scale value
	Hysteresis:	+/- 0,02 % of end-scale value
	Repeatability:	+/- 0,02 % of end-scale value
	Creep:	+/- 0,02 % of end-scale value
	Temperature coefficient SPAN:	+/- 0,02 % of end-scale value / 10 °C
	Temperature coefficient ZERO:	+/- 0,02 % of end-scale value / 10 °C
	Zero balance:	0,2 to 1,5 % of end-scale value
<b><u>Power supply</u></b>	Recommended excitation:	10 VDC
	Permitted excitation:	6 ~ 18 V AC / DC
<b><u>Ambient conditions</u></b>	Compensated temperature:	- 10 to + 40 °C
	Operating temperature:	- 20 to + 65 °C
<b><u>Dimensions</u></b>	Case:	40 x 150 x 35 mm
	Material of case:	High alloy tool steel, nickel plated
	Degree of protection:	IP 67
	Weight:	approx. 1,0 kg
	Terminals:	2 m terminal cable, shielded, with polyurethane drain wire +Input (red) / -Input (black) / +Output (green) / -Output (white)

## Dimensions



## Terminals



## Ordering code

**C S X X X X X X XXX**

No.	Output	Measurement range					
0	2 mV/ V +/- 0,01 %	50 kg					
1		60 kg					
2		100 kg					
3		150 kg					
4		200 kg					
5		300 kg					