

TCE 8000 Panel Mount Coriolis Transmitter

Features:

- > LCD display
- > Programmable control inputs
- > Analog, pulse and status outputs

Benefits:

- > Transmits flow rate, total, density or temperature
- > Approvals for use in Hazardous Areas

Specifications:

Display:	back-lit LCD screen, 132 x 32 dot
Supply Voltage:	24 V DC, $\pm 20\%$ or 90 ... 264 V (version dependent)
Programming:	via front keyboard or Windows-based TRICOR configurator program (Modbus)
Interface:	RS485 (Modbus RTU), HART®, Foundation Fieldbus®, other options on request
EMC:	according to EN 61000-6-4 and 61000-6-2
Power Consumption:	max. 6 W
Electrical Connections:	cage clamp terminals
Housing Material:	Noryl
Protection Class:	front: IP50, rear: IP30
Weight:	0.4 kg/0.88 lb



Standard Version

Temperature:

Ambient:	32 °F ... +140 °F (0 °C ... +60 °C)
Storage and Transport:	-4 °F ... +158 °F (-20 °C ... +70 °C)

Analog Output:

Current Outputs (2x):	4 ... 20 mA passive, two-wire, isolated
Resolution:	14 bit
Linearity:	$\pm 0.05\%$ of full scale
Temperature Drift:	0.05 % per 10 K
Load:	< 620 Ω (at 24 V supply)
Output Value (programmable):	flow, total, density, temperature

Pulse Output:

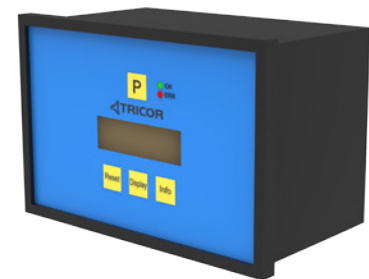
Frequency Range:	0.5 - 10,000 Hz
Output Signal:	active push-pull output for flow rate

Status In- and Output:

Status Output:	push pull programmable (in TOTAL mode: 0.5 - 100 Hz; in FREQUENCY mode: 0.5 - 10,000 Hz)
Control Input:	programmable

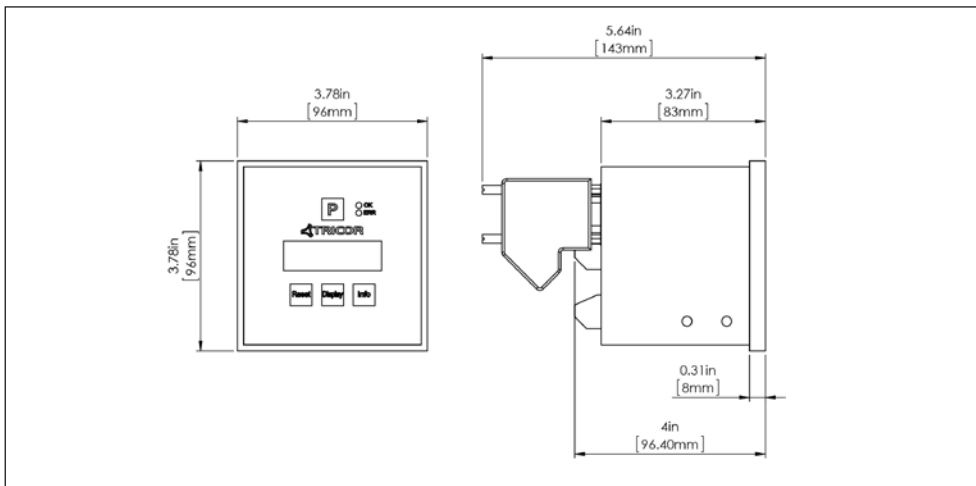
Analog Input (option):

Input Type:	4 ... 20 mA active for two-wire passive pressure sensor
Resolution:	12 bit
Linearity:	$\pm 0.05\%$ of full scale
Temperature Drift:	0.05 % per 10 K
Supply Voltage:	> 20 V (at 20 mA sensor current)

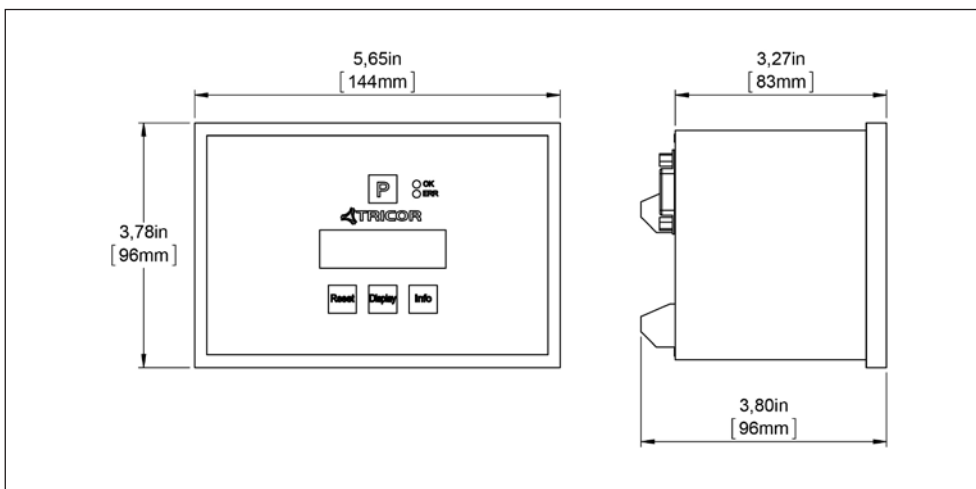


Ex Version

Meter Dimensions:



Standard Version



Ex Version

Ex Certifications:

ATEX (Ex)	Zone 1: Group IIC or IIB, T2...T4
ATEX (Exn)	Zone 2: II 3G Ex nA IIC T2...T4 Gc
IECEx (Ex)	Zone 1: Group IIC or IIB, T2...T4
cCSAus (Ex1)	Class 1, Division 1: Group A, B, C, D or C, D, T2...T4
EAC (TR-CU)	Group IIC or IIB, T2 ... T4