

ADJUSTABLE VACUUM SWITCH IP54 TYPE VF243

Max Voltage: 48 V
 Current: 0,5 A Resistive
 Certification: CE
 Contact: SPST-NO (Normally Open)
 SPST-NC (Normally Closed)
 Electrical Connection: Faston 6,3 x 0,8
 Standard Materials: Zinc Plated Steel Body
 HNBR Diaphragm/Gasket
 Switch housing Nylon 6/6
 Silver plated contact
 Electrical Protection: IP00
 IP54 with CP54 Protection Cap
 Mechanical life: 10⁶ cycles
 Setting: Internal Screw
 Mounting: Exagon body Sw24

VF243



CP54



Rev.05/2016

ORDERING CODE

VF243 29 SP S A 14 T700

TYPE	Faston Vacuum Switch CH24
ADJUSTABLE RANGE	29 (-150 ... -900 mbar)
BODY MATERIALS	ZP - BR - SS3 - SS6
MEMBRANE MATERIALS	HN - NB - V - S - E - SS
ELECTRICAL SWITCHES	O - C
CONNECTIONS	18 - 14 - 10K - 18C - 14C
SPECIAL EXECUTIONS	T - TD - G - SG - ST** - SW

CODE EXPLANATION

TYPE

PF243 Faston Adjustable Vacuum switch

RANGE

29 -150 ÷ -900 mbar

BODY MATERIALS

ZP Zinc Plated Steel (standard)
 BR Brass (P. Max 80 bar)
 SS3 Staninless Steel AISI 303
 SS6 Stainless Steel AISI 316

DIAPHRAGM/GASKET MATERIALS/TEMPERATURE

HN HNBR -25 ... +130 °C (standard)
 NB NBR -5 ... +60 °C
 V FKM -5 ... +110 °C
 S Silicone -40 ... +140 °C
 E EPDM -20 ... +120 °C
 SS Stainless Steel -30 ... +140 °C

ELECTRICAL SWITCHES

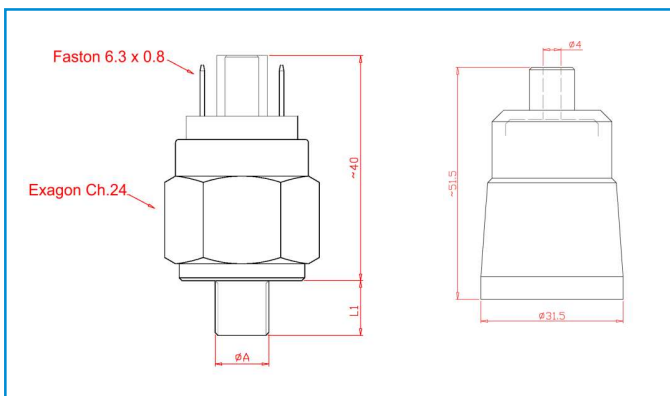
O Normally Open
 C Normally Closed

CONNECTIONS Quote A

18 1/8 Gas Taper L1=10 mm
 14 1/4 Gas Taper L1=12 mm
 10K M10 x 1 Taper L1=10 mm
 18C 1/8 Gas Parallel L1=10 mm
 14C 1/4 Gas Parallel L1=12 mm

SPECIAL EXECUTIONS

T Rising set point @ indicated value
 TD Falling set point @ indicated value
 G Gold plated Contact for low current
 SG Degreased for oxygen
 ST** Special threads (NPT, SAE, Metrico etc...)
 SW Special wiring (Automotive, Integrated/free connector etc...)



Type	Adjustable Range (mbar rel.)	Maximum static pressure bar	Fixed hysteresis @ 25°C (mbar)	Set-point tolerance @ 25°C (mbar)	Execution
VF243					
29	-150 ÷ -900	20	25	±50	Membrane