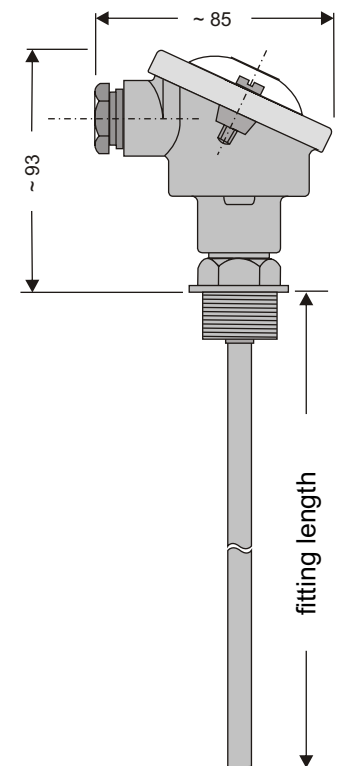
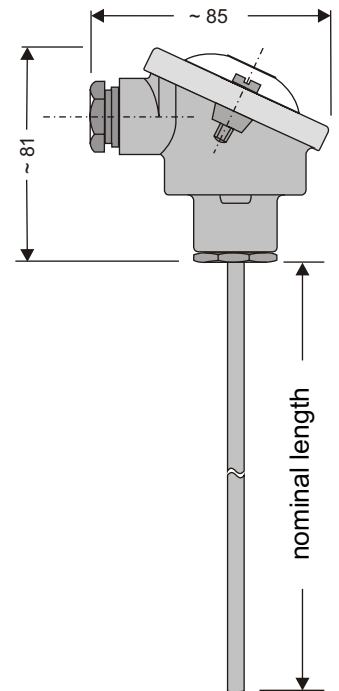


Resistance thermometer with terminal head B

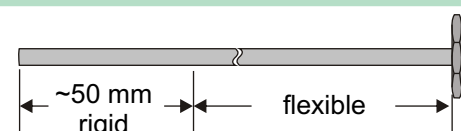
Characteristics

Sensor element:	Pt100 / Pt1000 / 2x Pt100 / 2x Pt1000
Type of sensor:	2-wire / 3-wire / 4-wire
Accuracy:	class A / class B / B1/2DIN / B1/3DIN / B1/10DIN
Type:	standard element / mineral insulated element
Model:	screw-in sensor / dip-in sensor
Protective sheath:	stainless steel 1.4571 (316Ti) for standard element stainless steel 2.4816 (Inconel 600) for M.I. element
Ø Protective sheath:	3 / 4 / 5 / 6 / 7 / 8 / 9 / 10 / 11 / 15 mm 1,5 / 3 / 4,5 / 6 mm (for M.I. element)
Length: (fitting and nominal)	50 / 100 / 160 / 200 / 250 / 400 / 600 / 1000 mm maximum length: 2000 mm option: according to details
Process connection:	1/4" / 3/8" / 1/2" / 1" / 1/4NPT / 3/8NPT / 1/2NPT
Bend radius:	minimum 5x of sheath tube (M.I. element)
Terminal head:	material: aluminium process connection: M24x1,5 cable connection: M20x1,5 connection: ceramic block with terminal posts
Protection:	terminal head IP 54
Insulating resistance:	test voltage: 500 VDC
Mineral insulator:	metal oxide
Response time:	sheath 6x0,5 mm: t90: 30,9 s / t50: 12 s sheath 6x1 mm: t90: 22,1 s / t50: 7,6 s
Accessories:	connection cable / transmitter compression fitting
Maximum operative temperature range:	
Sensor:	-200...+450 °C
Protective sheath:	stainless steel 1.4571 (316Ti): up to 600°C stainless steel 1.4401 (316): up to 600 °C
Terminal head:	up to 480 °C



all dimensions in mm

Protective sheath mineral insulated element



Bestellangaben für ID: KD

Sensor element

0 1x PT100
 1 1x Pt1000
 2 2x PT100
 3 2x Pt1000

Type of sensor

0 2-wire
 1 3-wire
 2 4-wire

Accuracy

0 class A
 1 class B
 2 B1/2DIN
 3 B1/3DIN
 4 B1/10DIN

Type*

0 standard element (S)
 1 mineral insulated element (M)

Model

0 screw-in sensor
 1 dip-in sensor

Material protective sheath*

0 stainless steel 1.4571 (316Ti) (S)
 1 stainless steel 1.4401 (316) (M)

Ø protective sheath*

1 3 mm (S, M)
 2 4 mm (S)
 3 4,5 mm (M)
 4 5 mm (S)
 5 6 mm (S, M)
 6 7 mm (S)
 7 8 mm (S)
 8 9 mm (S)
 9 10 mm (S)
 A 11 mm (S)
 B 15 mm (S)

Fitting length / Nominal length mm

0 50 mm
 1 100 mm
 2 160 mm
 3 200 mm
 4 250 mm
 5 400 mm
 6 600 mm
 7 1000 mm
 8 andere Länge

Process connection

0 1/4"
 1 3/8"
 2 1/2"
 3 1"
 4 1/4NPT
 5 3/8NPT
 6 1/2NPT

Special model

0 customized (please indicate)

Used temperature range - °C

please indicate

* S = standard element
 M = mineral insulated element