

## Technical Datasheet



## ZHM HP Series

Gear Flow Meters for  
High Pressure Applications  
with Autoclave connections for pressures up to 1,035 bar

## Description

The ZHM HP gear flow meter series (HP for high pressure design) are flow meters which are mainly used in lubrication and non-lubrication liquids. They are equally suitable for filled, viscous and abrasive media.

Only high-grade steels that even withstand corrosive liquids are used in the production of gear flow meters. Combined with the use of tungsten carbide bearings, the ZHM HP guarantees optimum measurement accuracy and a long service life under even the toughest application conditions. The extremely robust design, special surface coatings and the use of high-pressure connections allow the use in extreme applications and at very high operating pressures. The ball bearing facilitates a very low starting torque of the measuring element. This way even the lowest flow rates at low viscosities can be accurately measured.

The combination of various gear dimensions and modules allows a wide range of sizes that can cover a huge measuring range. This makes the ZHM ST ideal for a variety of applications in the field of metering as well as for injection and dosing.

Short response times, very dynamic performance and high measurement accuracy ensure accurate regulation and control of flow rates in demanding applications.

For applications in hazardous areas, we offer intrinsically safe sensors and amplifiers with Ex protection in accordance with ATEX, IECEx, CSA and other standards. Additional certifications such as EAC (TR-CU) are available.

## Principle and Design

Gear flow meters (ZHM) are positive displacement meters. Two precise gears rotate freely inside the measuring chamber.

Sealed cavities are created between the gears and the housing. The measured media causes the rotation of the gears. The flowing medium is distributed evenly in the measuring chamber and causes the rotation of the gears. The gear wheels rotate freely and undamped in the media flow. Their rotational frequency is proportional to the flow rate and is measured by non-intrusive sensors (pickups) through the housing wall. The sensor system can be variably adjusted to meet the requirements of the application.

Pulses per unit of volume are available for analysis. The calibration factor (K-factor) of the flow meter describes the exact pulse rate per unit of volume. In order to determine the individual calibration factor of a flow meter, we calibrate each of our meters in house prior to delivery. The operating viscosity specified by the customer is taken into account for calibration. A corresponding calibration certificate is included with every flow meter we supply.

These meters are suitable for accurate measurement of different liquids with viscosities of approximately 1 to 25,000 mm<sup>2</sup>/s.

Thanks to a high output frequency, excellent resolution and short response times, our gear wheel flow meters are outstanding for measuring pulsing flows, for consumption measurement and for dosing of liquids.

## Applications

- Hydraulic fluids
- Water hydraulics
- Corrosion protection additives
- Demulsifiers
- DRA (Drag Reducer Additives)
- Water hydraulics additives
- Other additives
- Preservatives

## Features

- High measuring accuracy up to  $\pm 0.1\%$ <sup>1)</sup>
- Exceptional repeatability of  $\pm 0.05\%$
- Measuring range up to 1:400
- Short response times
- Pressure-resistant up to 1,035 bar
- Medium temperature up to 302 °F (150 °C)
- Robust construction and long lifetime
- Explosion protection EExialICT4 or T6 for Zone 1

<sup>1)</sup> Under laboratory conditions; incl. linearization; viscosity  $\geq 30$  mm<sup>2</sup>/s.

## Technical Data - Sizes

ZHM Type <sup>2)</sup>	Measuring Range (l/min)		K-Factor <sup>3)</sup> (Impulse/l)	max. Pressure (bar)	Frequency <sup>3)</sup> (Hz)		Weight (kg)
ZHM 01/3 HP	0.002	to 0,5	40,000	517	1.3	to 330	3.4
ZHM 01/1 HC	0.005	to 2	26,500	1,035	2.2	to 880	3.4
ZHM 01/2 HP	0.02	to 3	14,000	1,035	4.6	to 700	3.4
ZHM 02 HP	0.1	to 7	4,200	1,035	7	to 490	3.4
ZHM 03 HP	0.5	to 25	1,740	1,035	14	to 730	3.9
ZHM 04 HP	0.5	to 70	475	1,000	4	to 560	11.1

## Technical Data - General

Measuring Accuracy	Up to $\pm 0.1\%$ <sup>4)</sup>
Repeatability	$\pm 0.05\%$ (under the same conditions)
Linearity	$\pm 0.5\%$ of actual flow (viscosity $\geq 30$ mm <sup>2</sup> /s)
Materials	Housing: as per DIN 1.4404 (AISI 316L) Wheels: as per DIN 1.4122, 1.4501 (AISI F55) Bearing: Ball bearing: Stainless steel Tungsten carbide (ZHM 01/1) Seals: FKM, FFKM
Medium Temperature	-4 °F up to +302 °F (-20 °C to +150 °C ) (other temperatures on request)
Dimensions	See dimensional drawing (page 4 to 5)

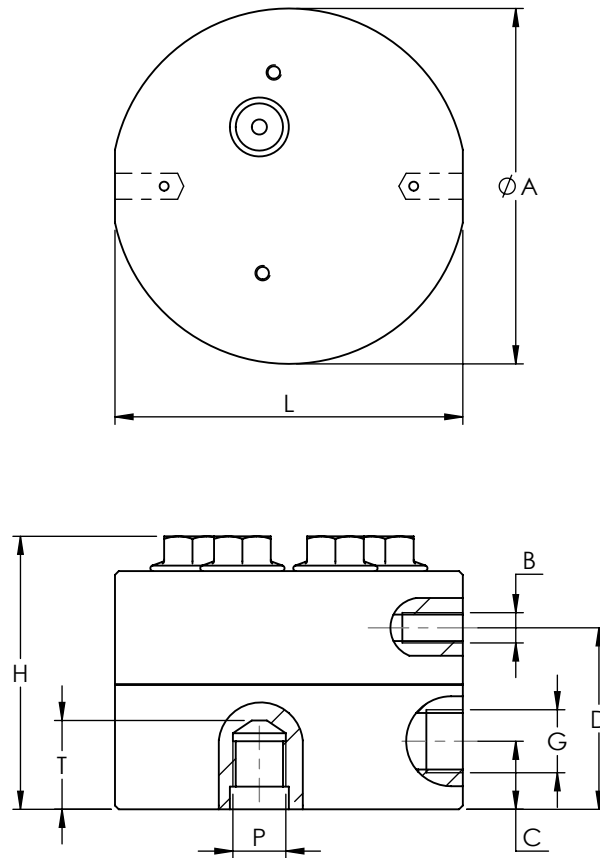


<sup>2)</sup> Exact type designation on request.

<sup>3)</sup> Average values for single sensors.

<sup>4)</sup> Under laboratory conditions; incl. linearization; viscosity  $\geq 30$  mm<sup>2</sup>/s.

## Dimensional Drawing - ZHM 01/3 to 03 HP



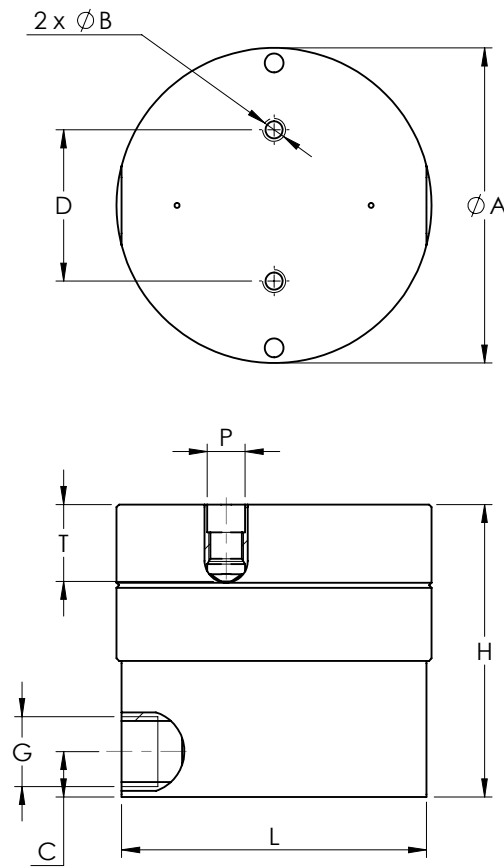
ZHM Type	Ø A	B	C	D	G <sup>5)</sup>	H	L	P <sup>6)</sup>	T <sup>6)</sup>	Autoclave
ZHM 01/3 HP	3.70 in (94 mm)	M6 ∇ 16	0.71 in (18 mm)	1.89 in (48 mm)	UNF 9/16"	2.83 in (72 mm)	3.62 in (92 mm)	M14x1.5	0.91 in (23 mm)	SF375CX20 (for 3/8" tube)
ZHM 01/1 HC	3.70 in (94 mm)	M6 ∇ 16	0.71 in (18 mm)	1.89 in (48 mm)	UNF 9/16"	2.83 in (72 mm)	3.62 in (92 mm)	M14x1.5	0.91 in (23 mm)	SF375CX20 (for 3/8" tube)
ZHM 01/2 HP	3.70 in (94 mm)	M6 ∇ 16	0.71 in (18 mm)	1.89 in (48 mm)	UNF 9/16"	2.83 in (72 mm)	3.62 in (92 mm)	M14x1.5	0.91 in (23 mm)	SF375CX20 (for 3/8" tube)
ZHM 02 HP	3.70 in (94 mm)	M6 ∇ 16	0.71 in (18 mm)	1.89 in (48 mm)	UNF 9/16"	2.83 in (72 mm)	3.62 in (92 mm)	M14x1.5	0.93 in (23.5 mm)	SF375CX20 (for 3/8" tube)
ZHM 03 HP	3.70 in (94 mm)	M6 ∇ 16	0.71 in (18 mm)	2.36 in (60 mm)	UNF 9/16"	3.31 in (84 mm)	3.62 in (92 mm)	M14x1.5	0.93 in (23.5 mm)	SF375CX20 (for 3/8" tube)

<sup>5)</sup> Corresponds to Autoclave connection size: SF375CX20.

<sup>6)</sup> Only applies for single pickup holes of type „E“.

Attention: the total installation height is the result of the height (H) and the height of the electronics (dimensions in separate datasheet).

Dimensional Drawing - ZHM 04 HP



ZHM Type	Ø A	B	C	D	G <sup>7)</sup>	H	L	P <sup>8)</sup>	T <sup>8)</sup>	Autoclave
ZHM 04 HP	4.92 in (125 mm)	M8 ∇ 16	0.71 in (18 mm)	2.36 in (60 mm)	3/4" 14 NPS	4.57 in (116 mm)	4.76 in (121 mm)	M14x1.5	1.20 in (30.5 mm)	SF750CX20 (for 3/4" tube)
ZHM 04 HP-1	4.92 in (125 mm)	M8 ∇ 16	0.71 in (18 mm)	2.36 in (60 mm)	3/4" 14 NPS	4.57 in (116 mm)	4.76 in (121 mm)	M14x1.5	1.20 in (30.5 mm)	SF562CX20 (for 3/16" tube)

<sup>7)</sup> Corresponds to Autoclave connection size: SF375CX20.

<sup>8)</sup> Only applies for single pickup holes of type „E“.

Attention: the total installation height is the result of the height (H) and the height of the electronics (dimensions in separate datasheet).

## Calibration

In-house calibration is performed on volumetric calibration rigs or at the wishes of the customer in our DAkkS calibration laboratory.

The KEM calibration lab uses a high-precision load cell system. With an accuracy of 0.05 % for the mass and 0.1 % for the volume of flowing liquids, we occupy a leading position worldwide. The German Accreditation Body (DAkkS) has accredited the laboratory with engineers, processes and measuring equipment in accordance with the international standard DIN EN ISO/IEC 17025:2005.

The KEM calibration certificate not only verifies the accuracy of a flow meter, but also guarantees its traceability to national standards as well as ensuring all requirements according to international quality standards are met.

The calibrations are performed with different hydrocarbons. This ensures the optimum simulation of changing operating conditions in density and viscosity even when temperatures change. This way the primary viscosity for the use of the flow meter can be specifically taken into account when viscosity fluctuations occur in a customised application.

The calibration result is the specified calibration factor (K-factor) in pulses per litre. This K-factor accordingly applies only at a certain flow velocity or a certain flow rate.

The calibration factor varies only very slightly at different volume flow rates. The individual measuring points provide the calibration curve of the flow meter from which the average K-factor is determined. The average calibration factor applies to the entire measuring range.

The linearity error specification (percentage deviation) refers to the average K-factor. To further increase the measurement accuracy in onsite use, the specific K-factors can be used to calculate the flow rate. For this, KEM also supplies optional special electronics.

## Calculation of volume flow

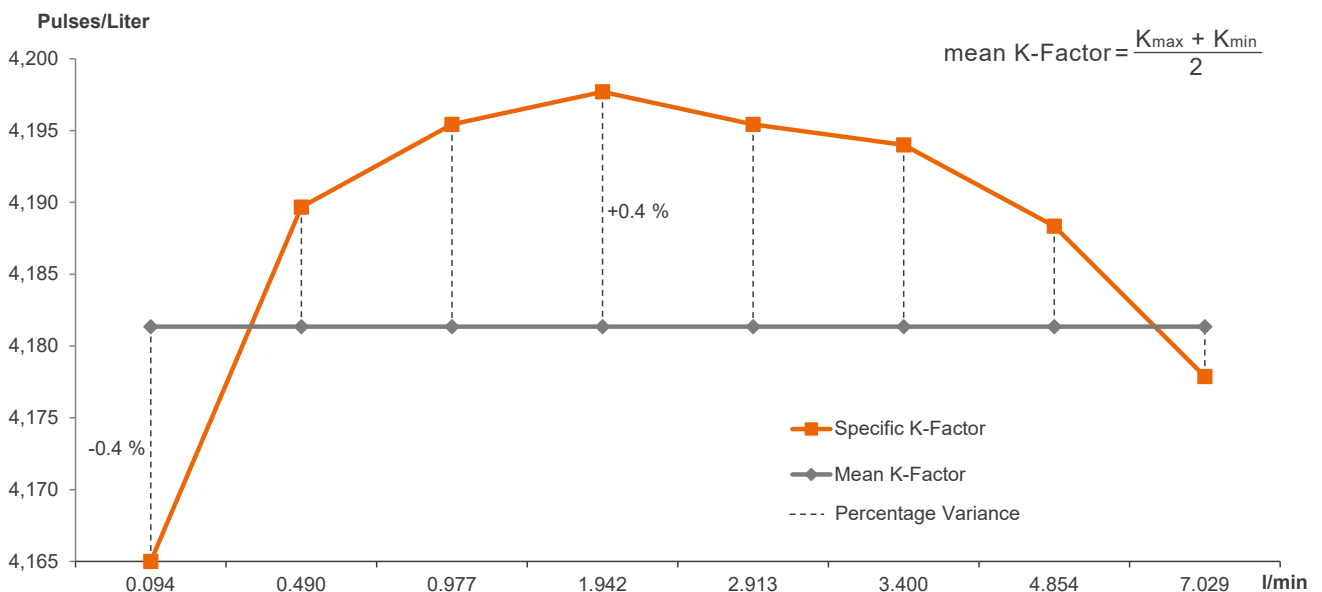
The flow is directly dependent on the measured frequency and the associated calibration factor:

$$Q = \frac{f \cdot 60}{K} \text{ l/min}$$

Q = Volume Flow  
f = Measuring frequency  
K = Specific K-Factor

## Calibration protocol

Example: ZHM 02 HP (0.1 to 7 l/min)





Küppers Elektromechanik GmbH

[www.kem-kueppers.com](http://www.kem-kueppers.com)

[info@kem-kueppers.com](mailto:info@kem-kueppers.com)

#### KEM Headquarter

Liebigstraße 5  
85757 Karlsfeld  
Deutschland

T. +49 8131 59391-0  
F. +49 8131 92604

[info@kem-kueppers.com](mailto:info@kem-kueppers.com)

#### KEM Manufacturing Center

Wetzeller Straße 22  
93444 Bad Kötzting  
Deutschland

T. +49 9941 9423-0  
F. +49 9941 9423-23

[info@kem-kueppers.com](mailto:info@kem-kueppers.com)

#### KEM Service & Repairs

Wetzeller Straße 22  
93444 Bad Kötzting  
Deutschland

T. +49 9941 9423-0  
F. +49 9941 9423-23

[info@kem-kueppers.com](mailto:info@kem-kueppers.com)

*More distributors & partners can be found at:  
[www.kem-kueppers.com](http://www.kem-kueppers.com)*